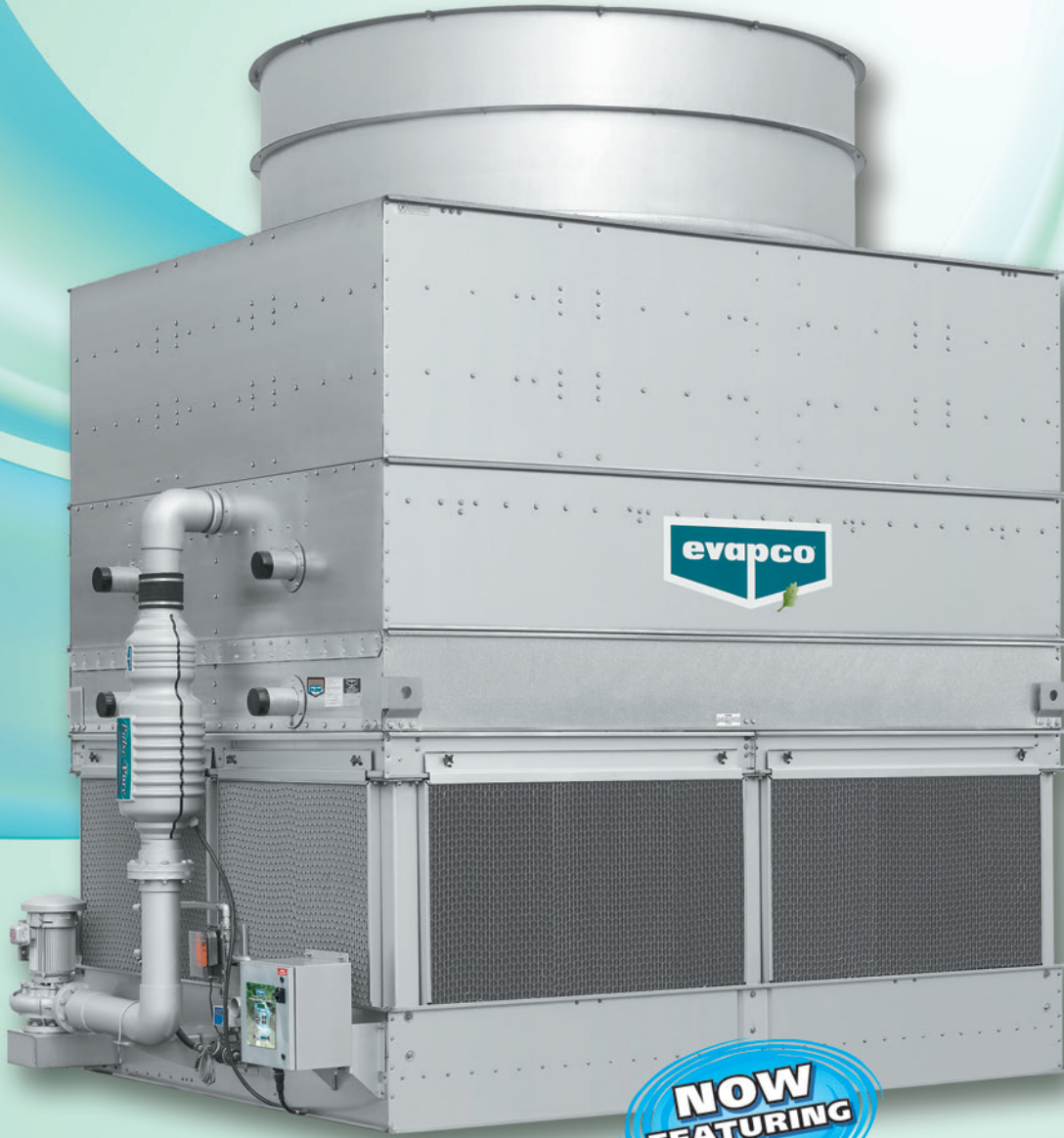


# CLOSED CIRCUIT COOLERS

## ATWB

The Industry's Smartest Induced Draft, Closed Circuit Coolers



**NOW  
FEATURING**

**CROSSCOOL™**  
INTERNALLY ENHANCED  
COIL TECHNOLOGY



®  
for LIFE



\*Mark owned by the  
Cooling Technology  
Institute



## Get to Know EVAPCO

- The global innovator in heat transfer solutions
- Serving the commercial HVAC, Industrial Refrigeration, Power Generation, and Industrial Processing markets
- Founded in 1976
- Employee-owned
- 24 manufacturing facilities in 10 countries
- More than 170 sales offices worldwide

## Learn More Now

Visit [evapco.eu](http://evapco.eu) to download product catalogs, view complete product specifications, and more.

## EVAPCO is more than a name.

It is a pledge to make everyday life easier, more comfortable, more reliable, and more sustainable for people everywhere. How do we fulfill that promise? It is simple.

### **We never stop innovating.**

At EVAPCO, we do not just talk about innovation, it is ingrained in our workflow. Guided by our annually developed R&D plans, we set out to find groundbreaking solutions that transform the way the world works for the better. It is why we have more than 28 patents worldwide in the last 10 years alone.

### **We craft exceptionally built solutions.**

As an employee-owned company, we take pride in our work. We are proud to be one of the most experienced teams of engineers and craftsmen in the industry. This translates into solutions that are always exceptionally built. EVAPCO has an unwavering commitment to provide "best in class" heat transfer solutions and services.

### **We guarantee performance.**

Every EVAPCO solution is put through rigorous research and testing to ensure maximum efficiency and reliability. But we do not stop there. EVAPCO is an industry leader in independent, third-party performance certifications. These certifications guarantee our performance metrics—so that you can plan your projects with complete peace of mind.

### **We protect the environment.**

Innovation and environmental sustainability go hand-in-hand at EVAPCO. EVAPCO's industrial heat transfer equipment not only conserves natural resources and helps reduce noise pollution, they also feature recycled steel content in their construction. Our stainless steel units are constructed of panels that contain up to 75% recycled content; over 80% in galvanized units construction. From sound reduction to water conservation to chemical elimination, we are constantly developing new technologies that deliver the ultimate operating advantages for our clients— and protect the planet for every generation that comes after us.



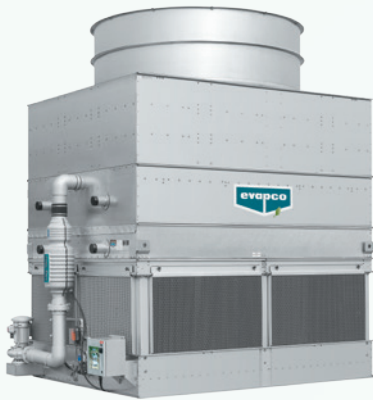


# Table of Contents

Corporate .....	2
Principle of Operation .....	4
Application Versatility .....	5
Design & Construction Features.....	6-7
Innovative Design Features .....	8-9
Eurovent-CTI Certification.....	10-12
Power-Band Belt Drive System.....	13
Drive System Maintenance .....	14
Basin Design .....	15
Optional Equipment.....	16
Water Treatment Solutions .....	18-19
Low Sound Solutions .....	20
Electric Basin Heater.....	21
Coil Connection Options.....	22
Heat Exchanger Coil / Discharge Hood Dimensions .....	23
Heat Loss Data .....	24-25
General Information .....	26
Engineering and Dimensions Data .....	27-68
Steel Support.....	70
Notes .....	71

# ATWB Principle of Operation

## Advanced Technology (AT) Closed Circuit Coolers



The ATWB line of Closed Circuit Coolers has always reflected EVAPCO's commitment to product development. Its advanced design and owner oriented features provide many operational and performance advantages. **The ATWB's Thermal-Pak® Coil now features CROSSCOOL™ Internal Tube Enhancement which increases the internal heat transfer coefficient of the coil and thus increases the cooling capacity of the unit.** The now improved ATWB offers the most models and boxesizes in the industry and is designed with IBC Compliant Construction and CTI Certified Performance.

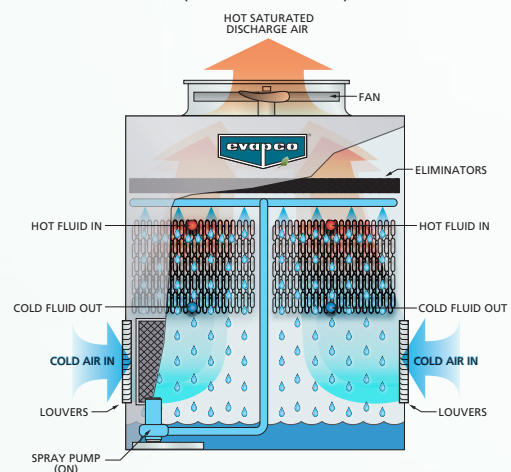
### Principle of Operation

The process fluid is circulated through the coil of the closed circuit cooler. Heat from the process fluid is dissipated through the coil tubes to the water cascading downward over the tubes. Simultaneously, air is drawn in through the air inlet louvers at the base of the cooler and travels upward over the coil opposite the water flow. A small portion of the water is evaporated which removes the heat. The warm moist air is drawn to the top of the closed circuit cooler by the fan and is discharged to the atmosphere. The remaining water falls to the sump at the bottom of the cooler where it is recirculated by the pump up through the water distribution system and back down over the coils.

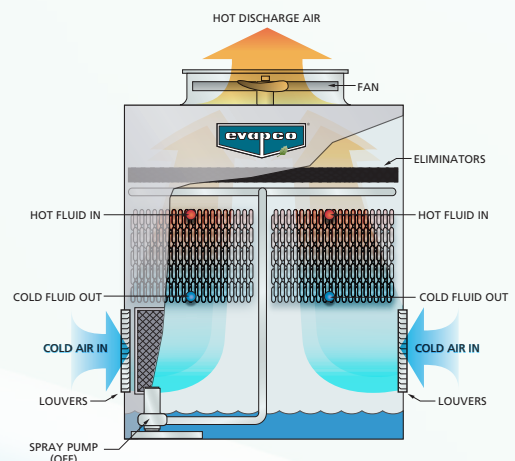
### Dry Operation

The ATWB closed circuit cooler is capable of higher dry bulb switchover temperatures than other bare-tube induced draft coolers due to a full footprint elliptical tube coil located entirely in the airstream. The number of coil rows and entering cold air combine to provide dry operation at times where the heat load and ambient conditions are favorable. The ability to satisfy the heat load without operating the spray pump provides both water and energy savings for a diversity of applications such as; Commercial HVAC, Data Centers, Industrial Process, Water Source Heat Pumps, Critical Chilled Water Facilities, Manufacturing Plants and many more.

#### EVAPORATIVE MODE (Latent Heat Transfer)



#### DRY MODE (Sensible Heat Transfer)

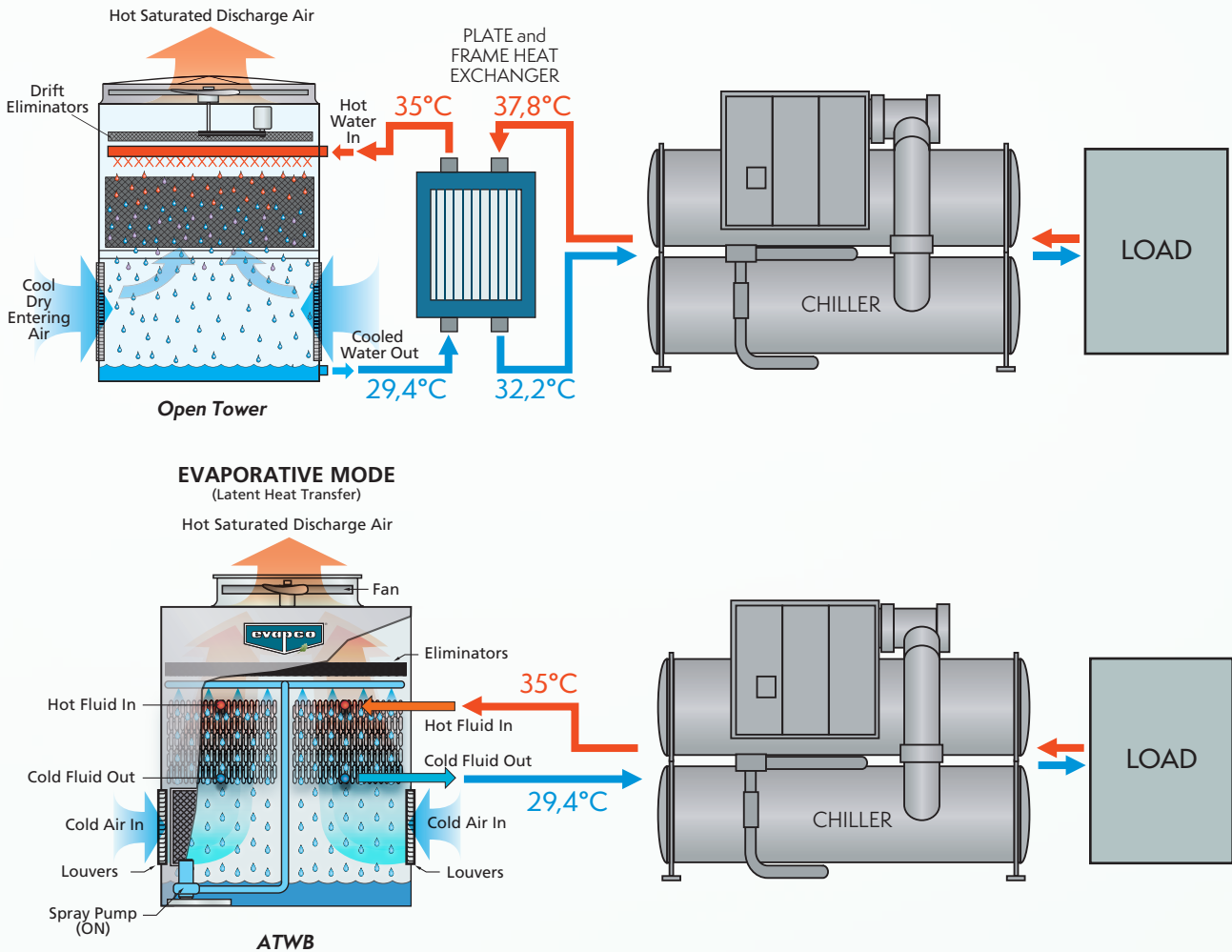




# Application Versatility

## Closing the Loop

Open cooling tower systems are susceptible to fouling on the heat transfer surfaces due to the process water being open to the environment, and pulling in dirt and debris from the surrounding area. Often, when used in conjunction with a plate and frame heat exchanger, there is the need to oversize the tower to make up for the efficiency lost across the heat exchanger. By closing the process fluid in the coils of a closed circuit cooler, both of these issues are eliminated.



## High Temperature Applications

Many industrial applications have higher entering process fluid temperatures. A standard open cooling tower is limited by the fill at 55 °C. The ATWB closed circuit cooler can operate with inlet process fluid temperatures up to 76,7 °C. Galvanized steel, as well as type 304 and type 316 stainless steel materials can be used in the construction of the basin, casing and coil(s), providing years of reliable operation and corrosion resistance.

Note: Some high temperature applications require high temperature rated PVC materials. Please contact your local sales representative for high temperature applications.

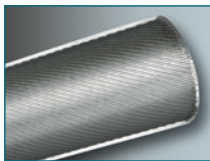
# ATWB Design & Construction Features



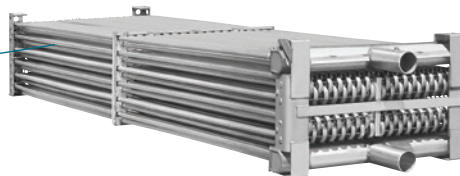
## Galvanized Steel Coil

### Elliptical Thermal-Pak® COIL Construction Featuring CROSSCOOL™ Internal Tube Enhancement Technology

- Internal tube enhancement increases fluid turbulence providing **additional evaporative capacity**
- Elliptical return bends allows for more circuits per coil bundle increasing maximum capacity per footprint
- Coil located in the airstream increasing dry bulb switchover



**CROSSCOOL™**  
INTERNAL TUBE ENHANCEMENT



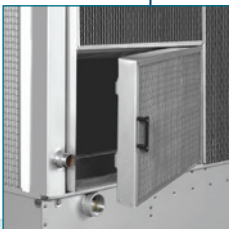
## Optional Factory Mounted Non-Chemical or Chemical Water Treatment Systems

The ATWB is available with either a **Pulse~Pure®** (pictured) non-chemical or a **Smart Shield®** (not shown) solid chemical water treatment system. The **Pulse~Pure®** and **Smart Shield®** are environmentally sensitive alternatives for treating water in evaporative cooled equipment. The **Pulse~Pure®** and **Smart Shield®** systems include all components required for an effective water treatment system; factory mounted and wired.



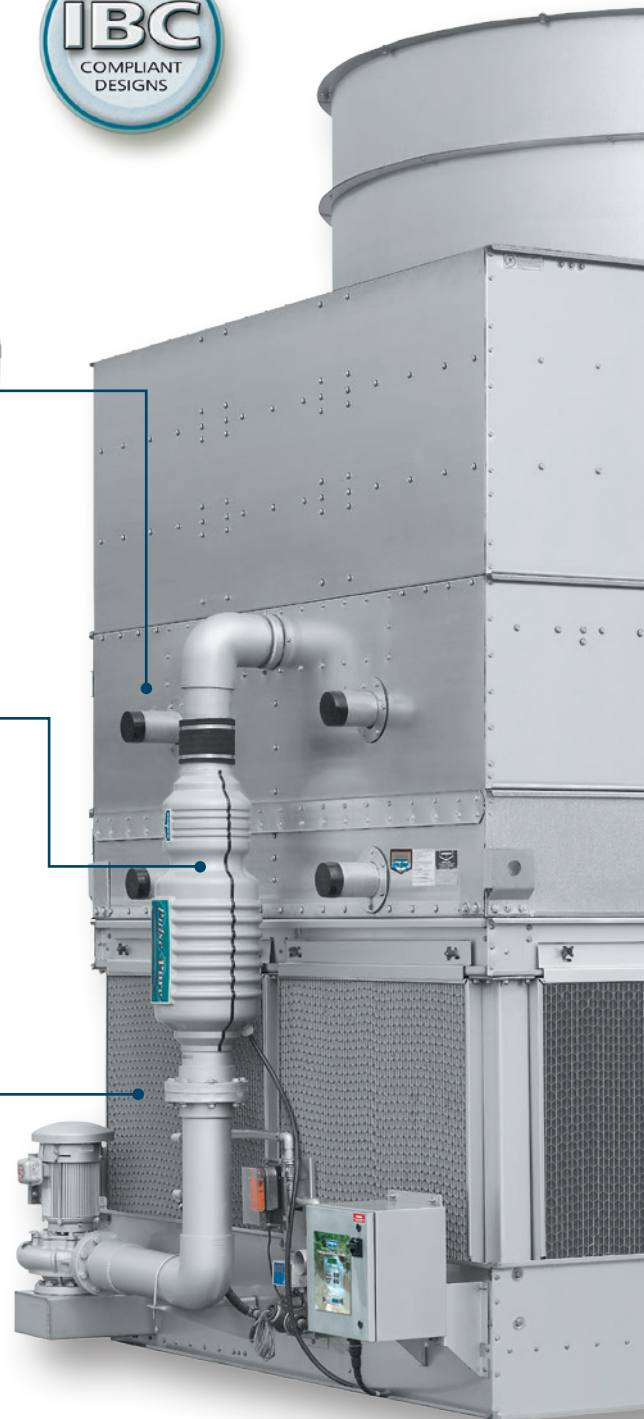
### Most Accessible Basin

- Access from all four sides
- Large open area simplifies maintenance
- Basin may be inspected with pumps running



### Louver Access Door

- Louver access door is available on models with 1,5 m and 1,8 m louver sizes
- Hinged access panel with quick release mechanism
- Allows easy access to perform routine maintenance and inspection of the makeup assembly, strainer screen and basin





### Super Low Sound Fan

- Extremely wide sloped fan blades for sound sensitive applications
- Molded heavy-duty construction
- 9-15 dB(A) sound reduction



### Unique Fan Drive System

- Power-band belts for better lateral rigidity
- Advanced design aluminum fan blades
- Non-corroding cast aluminum sheaves
- Heavy-duty fan shaft bearings with L-10 life of 75,000 - 135,000 hrs
- All other components constructed of corrosion resistant materials
- Totally enclosed fan motors assure long life

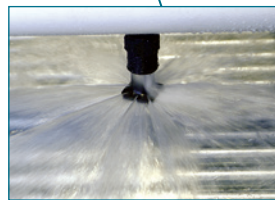
### Efficient Drift Eliminators

- Advanced design minimizing drift from the leaving airstream
  - Made from corrosion resistant PVC for long life
- (U.S. Patent # 6,315,804)



### PVC Spray Distribution Header with ZM®II Nozzles

- Large orifice fixed position nozzles prevent clogging



### The EVAPCO Performance Guarantee

Every ATWB product is rigorously thermal performance tested by EVAPCO and then independently certified by the Eurovent Association and the Cooling Tower Institute (CTI) so you know you're getting a solution that's guaranteed to get the job done.

† Mark owned by the Cooling Technology Institute

### WST II Air Inlet Louvers (Water and Sight Tight)

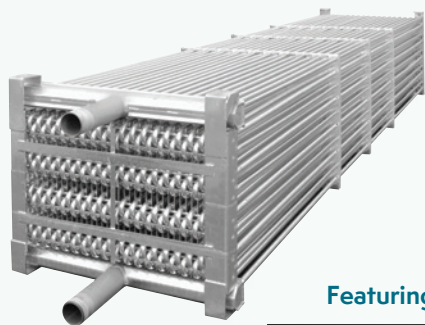
- Easily removable for access
- Improved design to keep sunlight out—preventing biological growth
- Keeps water in while keeping dirt and debris out

U.S. Patent #7,927,196

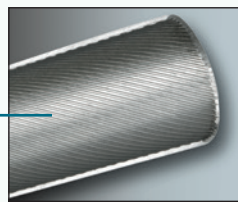


# Innovative Design Features

## Elliptical Thermal-Pak® Heat Transfer Coil



THERMAL-PAK® ELLIPTICAL TUBE

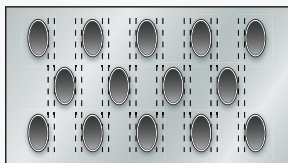


**CROSSCOOL™**  
INTERNAL TUBE ENHANCEMENT

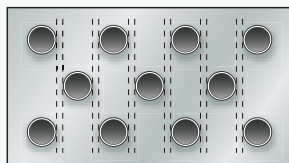
Featuring

## Galvanized steel elliptical Thermal-Pak® coil featuring **CROSSCOOL™** Internal Tube Enhancement Technology

- Internal Tube Enhancement provides additional evaporative capacity
- Elliptical tube design allows for more circuits per coil bundle increasing maximum capacity per footprint
- Elliptical tube design results in lower airflow resistance than typical round tube designs.



**EVAPCO's Thermal-Pak®  
Elliptical Tube**



**Competitors  
Round Tube Coil**

The ATWB closed circuit coolers utilize EVAPCO's Thermal-Pak® coil design. The elliptical tube design allows for closer tube spacing, resulting in greater surface area per plan area than round-tube coil designs.

In addition, the Thermal-Pak® design has lower resistance to airflow and also permits greater water loading making the Thermal-Pak® coil the most efficient design available.

The Thermal-Pak® coil design also features EVAPCO's Internal Tube Enhancement Technology. This increases fluid turbulence through the coil, further increasing the evaporative capacity.

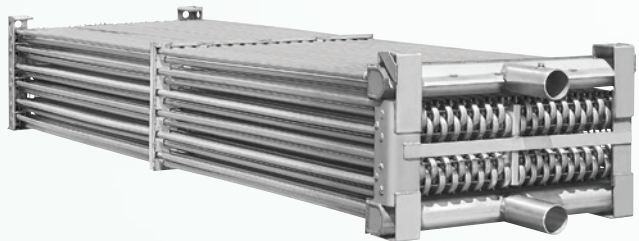
The coils are manufactured from high quality steel tubing following the most stringent quality control procedures. Each circuit is inspected to ensure the material quality and then tested before being assembled into a coil. Finally, the assembled coil is pneumatically tested at 15 bar under water to ensure it is leak free.

To protect the coil against corrosion, it is placed in a heavy steel frame and then the entire assembly is hot-dipped galvanized.

**Note: Closed circuit coolers should only be used on sealed, pressurized systems. Continual aeration of the water in an open system can cause corrosion inside the tubes of the coil leading to premature failure.**

## Stainless Steel Coil Option

The heat exchanger coil is the heart of the evaporative cooler. For this critical component, EVAPCO offers the options of Type 304 or type 316 stainless steel construction.



**Thermal-Pak® Coil**



# Innovative Design Features



## Smooth Flow Fans

Smooth flow axial propeller fans come standard on all Advanced Technology series closed circuit coolers. Fan construction is dependent on unit size:

- 0,9 and 1,2 m wide: Fiberglass-reinforced polypropylene wide chord blades with die-cast aluminum hub
- Over 1,2 m: 100% aluminum alloy fan blades

All fans are statically and dynamically balanced and installed in a closely fitted cowl with venturi air inlet for maximum efficiency. Fan screens are constructed of galvanized steel or optional type 304 stainless steel, and have steel frames bolted to the fan cowl.

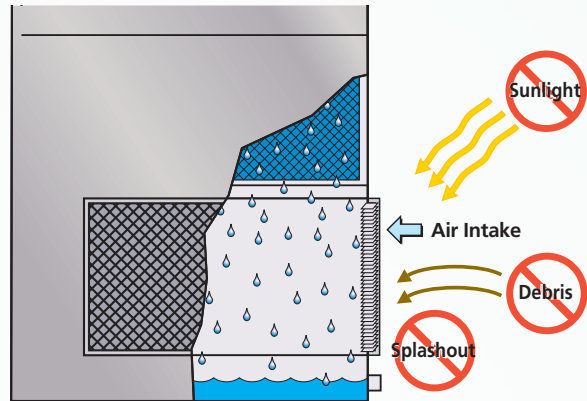
Low sound and super low sound fan options are also available. See page 16 to learn more.

## Pressurized Water Distribution System

The Advanced Technology series' water distribution system is made of schedule 40 PVC pipe and ZM®II ABS plastic water nozzles for maximum corrosion protection. The piping is easily removable for cleaning. The water nozzles have a 33 mm diameter opening to help eliminate costly clogging.

## High-Efficiency Drift Eliminators

EVAPCO's extremely efficient drift eliminator system removes entrained water droplets from the air stream, limiting the drift rate to less than 0.001% of the recirculating water rate in most instances. This saves valuable water and enables you to place your cooling tower in areas where minimum water carryover is critical, such as parking lots.



The drift eliminators are constructed of inert PVC, which effectively eliminates corrosion of these vital components. They are assembled in sections to facilitate easy removal for inspection of the water distribution system.

## Superior Air Inlet Louver Screen Design

EVAPCO's Water and Sight Tight (WST) inlet louver screens keep water in and sunlight out of your ATWB series closed circuit cooler. The unique, non-planar design is made from lightweight, framed PVC sections which have no loose hardware, enabling easy unit access. The louver's air channels are optimized to maintain fluid dynamic and thermodynamic efficiency and block all line-of-sight paths into the basin, eliminating splash-out even when the fans are off. And because all sunlight is blocked, algae growth is minimized. The end result: reduced maintenance hours, water consumption, and water treatment costs.

## Maintenance Free ZM®II Spray Nozzle Water Distribution System

EVAPCO'S Zero Maintenance ZM®II Spray Nozzle remains clog-free while providing even and constant water distribution for reliable, scale-free evaporative cooling under all operating conditions.

The heavy duty nylon ZM®II Spray nozzles have a 33 mm diameter opening. Furthermore, the fixed position ZM®II nozzles are mounted in corrosion-free PVC water distribution pipes that have threaded end caps. Together, these elements combine to provide unequalled coil coverage and scale prevention, making it the industry's best performing non-corrosive, maintenance-free water distribution system.



ZM®II Nozzle

# Eurovent-CTI Certified ATWB Closed Circuit Coolers

## CTI Standard-201

This standard sets forth a program whereby the Cooling Technology Institute will certify that all models of a line of evaporative heat rejection equipment offered for sale by a specific manufacturer will perform thermally in accordance with the manufacturer's published ratings.

In its continuing commitment to be the leaders in evaporative cooling equipment design and services, EVAPCO ATWB Closed Circuit Coolers are now **Independently Certified by CTI**, to perform thermally in accordance with the published data.

## What is CTI?

### Cooling Technology Institute

The Cooling Technology Institute is an organization headquartered in the United States with over 400 member companies from around the globe. CTI membership is composed of manufacturers, suppliers, owner operators, and test agencies from over 40 countries. In 2008 CTI certified more than 5000 Evaporative Heat Transfer Systems (EHTS) from 49 product line of 24 participants.

### CTI's Mission and Objectives

This can be best explained by the CTI's published Mission statement and Objectives revised in December 2003 and published on their website [www.cti.org](http://www.cti.org).

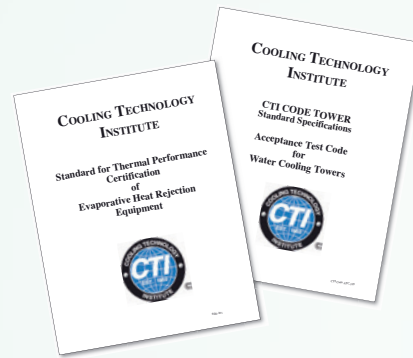
### CTI Mission Statement

To advocate and promote the use of environmentally responsible Evaporative Heat Transfer Systems (EHTS) for the benefit of the public by encouraging:

- Education
- Research
- Standards Development and Verification
- Government Relations
- Technical Information Exchange

### CTI Objectives

- Maintain and expand a broad base membership of individuals and organizations interested in Evaporative Heat Transfer Systems (EHTS).
- Identify and address emerging and evolving issues concerning EHTS.
- Encourage and support educational programs in various formats to enhance the capabilities and competence of the industry to realize the maximum benefit of EHTS.
- Encourage and support cooperative research to improve EHTS technology and efficiency for the long-term benefit of the environment.
- Assure acceptable minimum quality levels and performance of EHTS and their components by establishing standard specifications, guidelines, and certification programs.
- Establish standard testing and performance analysis systems and procedures for EHTS.
- Communicate with and influence governmental entities regarding the environmentally responsible technologies, benefits, and issues associated with EHTS.



- Encourage and support forums and methods for exchanging technical information on EHTS.

### Benefits to the End User

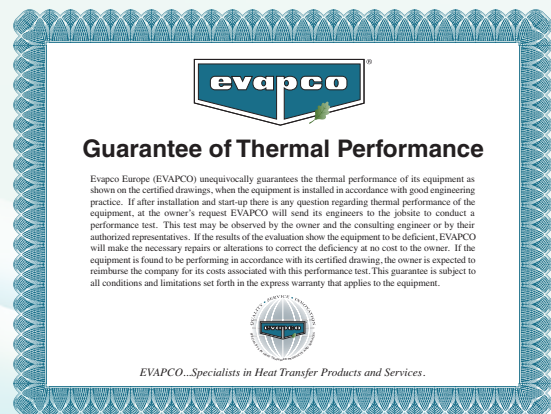
CTI defines an independent testing certification program that is specifiable, enforceable and available to all equipment manufacturer's. End users that purchase CTI certified products are assured that those products will perform thermally as specified.

Additionally CTI certification is the first step for the Green Building Concept in Europe:

- LEED - Leadership in Energy and Environmental Design
- Best Available Practice
- Green Building Rating System

### Thermal Performance Guarantee

In addition to the CTI Certification, Evapco unequivocally guarantees the Thermal Performance of ALL Evapco Equipment. Every unit order is confirmed with a submittal package that includes an Evapco Thermal Performance Guarantee Certificate.





# CTI Certification Program

## CTI Certification Process

- Submit Application for Certification
- CTI completes a technical review of the product line submitted
- CTI performs an initial qualification test in a laboratory on a specified model number
- CTI issues an Approval Letter with Validation Number if test is passed. Letter is also distributed to all members of CTI to inform everyone that a successful certification has been completed. The Certification Validation Number assigned should be fixed to each tower sold and displayed in all catalogs and other literature
- Product Line must undergo an Annual Reverification Test - Different model number is selected every year
- More details can be found on the CTI website [www.cti.org](http://www.cti.org)

## CTI Certification Test Parameters

- Entering Wet Bulb temperature 10°C to 32.2°C
- Cooling Range - Minimum of 2.2°C
- Cooling Approach - Minimum of 2.8°C
- Process Fluid Temperature - Maximum of 51.7°C
- Barometric Pressure - 91.4 to 105 kPa
- More details can be found on the CTI website [www.cti.org](http://www.cti.org)

## CTI Certification Limitations

- Specific manufacturer's product line name and model numbers
- Applicable only to product lines and model numbers submitted
- Multiple cell model numbers are allowed if the airflow is not affected or the configuration impact is included in the unit rating
- Optional accessories are allowed if the airflow is not affected or the accessory impact is accounted for in the rating
- More details can be found on the CTI website [www.cti.org](http://www.cti.org)

## Evapco Europe CTI Certified ATWB Product Line

### ATWB Line of CTI Certified Closed Circuit Coolers

- CTI Certification Validation Number C13F-09R09
- Includes series flow models
- Includes units with optional High Flow Header Connections
- Includes units with optional gear drive
- Includes use of optional external platforms/ladders for access
- Includes an optional supplier for fans on standard models and two optional low sound fan types
- Includes use of optional remote sump
- Includes use of optional water silencers
- Includes use of optional straight discharge hood
- Includes use of optional positive closure dampers
- Includes use of optional stainless steel coil section
- Includes an optional upgraded structural design
- Applies only to units with water, or a solution of water and up to 60% propylene glycol or a solution of up to 60% ethylene glycol, as the process fluid
- Includes use of an optional fan screen on all models requiring CE marking
- Includes use of optional discharge attenuation
- Includes use of offset sound attenuation walls
- SPECTRUM Technical data sheet will state "ECC-CTI Closed Circuit Cooler"
- Unit will receive a CTI and ECC Certified Shield located near the nameplate

### Note

All CTI Certified Product Lines of all manufacturers with CTI certified products can be found on the website: <http://www.cti.org/certification.shtml>



# Eurovent-CTI Certification

In 2007 Evapco launched the initiative to create the “European Chapter” of CTI. At the start of this initiative, Eurovent and CTI established a “Memorandum of Understanding”. Since then the “Operational Manual for Certification of Cooling Towers” and the “Eurovent Rating Standard for Cooling Towers” were written. Both documents are strongly tied to the CTI documents STD 201 and ATC 105. A common “**Eurovent-CTI**” Certification program has become the European Standard for independent thermal performance rating of cooling towers. All Evapco CTI Certified cooling towers will be **Eurovent-CTI certified as from February 2012.**

## EUROVENT – CTI cooperation

### EUROVENT Association

Initially founded in 1958 EUROVENT Association represents the European refrigeration, air conditioning, air handling, heating and ventilation industry and trade associations from European and non-European countries. Over 1000 companies in 13 European countries, employing 150000 employees who jointly generate more than € 25 to 30 billion of annual output are member of this organization.



### EUROVENT mission

EUROVENT represents, promotes and defends the industry to relevant national and international bodies and cooperates with other European umbrella associations. Over the years EUROVENT has become a well-known and respected stakeholder in all industry related matters and, in particular, in climate change and energy efficiency. EUROVENT develops product certification programs for the entire industry through the EUROVENT Certification Company.

### EUROVENT Certification



The main objective of the EUROVENT Certification Company (ECC) is to certify cooling equipment (and/or components) independently from EUROVENT Association. With a common set of well-defined procedures and criteria for the rating of products, comparison of product performance ensures a healthy and solid competition on a market open to all manufacturers. When a manufacturer participates in a certification program, he has to present its list of models or model ranges together with their performance data. The files are evaluated by the ECC Certification and a predefined number of units are selected for testing by independent laboratories. If the results comply with the relevant standards, the submitted models or ranges will be listed in the EUROVENT Certification Online Directory. Models are subject to regular random testing to verify compliance with catalogue data.

### Benefits

The Certification Mark guarantees specifying engineers, installers and end users that the products marketed by a participant have been submitted to independent testing and that they have been accurately rated. Through specification of certified products, the engineer's tasks become easier, since there is no need to carry out detailed comparison and performance testing.

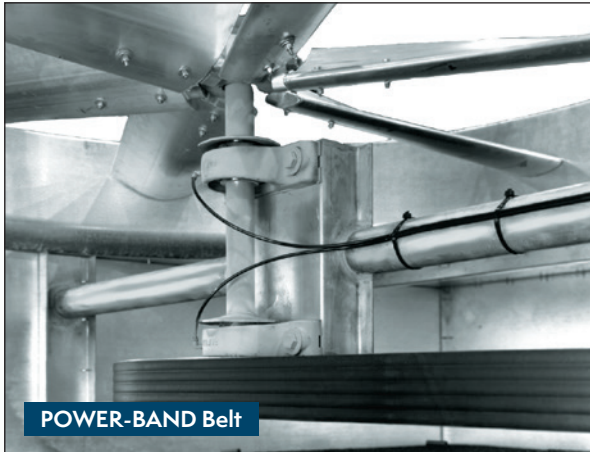




# The Power-Band Belt Drive System

## Power-Band Drive System Design

The ATWB Closed Circuit Cooler features the highly successful POWER-BAND Belt Drive System. The POWER-BAND Drive System has performed consistently with trouble-free operation in the most severe conditions of closed circuit cooler applications.



## POWER-BAND Drive System Includes:

- Solid back POWER-BAND drive belt
- Totally Enclosed Fan Motors
- Aluminum sheaves
- Fan shaft bearings with minimum 75,000 hrs. L-10 life

## Power-Band Belt Drive

The Power-Band drive is a solid-backed multigroove belt designed for closed circuit cooler service. The drive belt is sized for 150 percent of the motor nameplate horsepower and constructed of neoprene with polyester chords. Band belts are field-proven with over 20 years of field operation.

## Drive System Sheaves

Drive system sheaves are constructed of an aluminum alloy for corrosion resistance in the humid closed circuit cooler environment.

## Fan Shaft Bearings

The fan shaft bearings are specially selected to provide long life, minimizing costly downtime. They are rated for an L-10 life of 75,000 to 135,000 hours, making them the heaviest duty pillow block bearings in the industry.

## Fan Motors

All EVAPCO closed circuit coolers utilize totally enclosed fan motors (T.E.F.C. or T.E.A.O.) designed specifically for evaporative cooling applications. Premium efficient fan motors which are compatible with variable frequency drive (VFD) systems, come standard on all ATWB models.

# The Industry's Easiest Drive System Maintenance

## Standard Coolers (2,4 m Wide or Less)

The totally enclosed fan cooled (TEFC) motor is mounted on the outside and protected from the weather by a hinged cover that swings away for maintenance. A large, hinged access door is located on the side of the unit for easy access to the fan drive system. The belt can be adjusted by tightening the j-bolts on the motor base, and tension can be checked easily through the access door. The bearing lubrication lines have been extended to the exterior casing and are located by the access door, thus making bearing lubrication easy. Optional sloped maintenance ladders and working platforms are available to make maintenance even easier.



## Large Coolers (Over 2,4 m Wide)

The totally enclosed air over (TEAO) motor is located inside the fan casing and mounted on a unique, heavy-duty adjustable motor base that is designed to swing completely to the outside of the unit through a large, hinged access door (1.3 square meters). The belt can be easily adjusted from outside the unit via an all-thread that runs through the motor base, or via the motor base's unique locking mechanism if a wrench is not available. Bearing lubrication fittings are extended to the side of the unit inside the access door to allow for easy application of the bearing lubricant. To facilitate motor removal, an optional motor davit is available.





# Worry Free Maintenance Basin Design

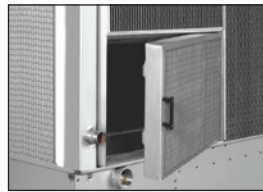


## Easy Access

The cold water basin section is easily accessible from ground level by simply lifting out the lightweight louver. The basin can be accessed from all four sides of the cooling tower, and the bottom of the fill section is a minimum of 1,2 m above the basin floor. This open design enables the basin to be easily cleaned. Note: 1,2 m wide models are accessible on only two sides.

## Louver Access Door

To aid in basin maintenance, most ATWB models can be equipped with an optional louver access door. This allows easy access to perform routine maintenance and inspection of the makeup assembly, strainer screen, and basin without removing an entire inlet louver. Note: This feature is standard on models with louvers 1,5 m and taller and optional on models with 1,2 m tall louvers.



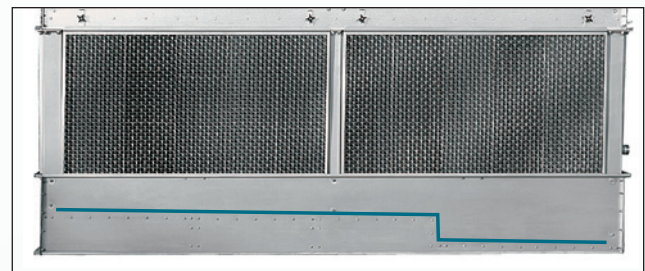
## Electric Water Level Control (Optional)

Closed Circuit Coolers may be ordered with an electric water level control in lieu of the standard mechanical float and make-up assembly. This package provides accurate control of water levels and does not require field adjustment.



## Stainless Steel Strainers

For most ATWB's, the strainer is subject to excessive wear and corrosion. All EVAPCO strainers are constructed with stainless steel—a long-standing EVAPCO standard—ensuring that yours will last the life of your closed circuit cooler.



## Clean Pan Design

The Advanced Technology series also features a completely sloped basin from the upper to lower pan section. This "clean pan" design allows the water to be completely drained from the basin. The closed circuit cooler spray water will drain from the upper section to the depressed lower pan section where the dirt and debris can be easily flushed out through the drain. This design helps prevent buildup of sedimentary deposits and biological films, and minimizes standing water. Note: On 1,2 m wide units, the pan is sloped without the step.



# Optional Equipment

## Sloped Maintenance Ladders

Designed by EVAPCO and OSHA-compliant, this sloped “ships type” ladder enables visual inspection of the water distribution system and drive components. What’s more, all standard drive system maintenance can be performed from the ladder. A handrail is attached to the sloped ladder for safe and easy ascent and descent—no need for safety cages.

**Note: Available on all models wider than 1,2 m. A vertical ladder is available for smaller models. Ladder ships loose and must be field mounted. A safety cage is not included in this design. Check conformity with local legislation before application.**



## Working Platform & Ladder with Davit

Make it easy to service the fan motor and water distribution system with this heavy-duty, self-supporting working platform and standard ladder. A less expensive alternative to field erected catwalks, the system is compliant with European regulations and ships in sections for easy installation. Note: The working platform is not available on 0,9 m or 1,2 m wide models.

Plus! Eliminate crane rentals with an optional davit that facilitates the easy removal of motors, gear drives, and fans. The davit is constructed of aluminum and is mounted on the side of the unit with a galvanized steel bracket. Note: Davit ships loose and is installed in the field.



## Welded Stainless Steel Basin

The basin area of the fluid cooler often experiences dirt and debris build-up. Type 304 or 316 stainless steel is available to provide increased corrosion protection for the entire basin area including the support columns of the cooler and the air inlet louver frames.

## All Stainless Steel Option (Excluding Fans/Coils)

In addition to the basin, the remainder of the unit is constructed of type 304 or 316 stainless steel. When this option is selected the unit panel construction contains either type 304 or 316 stainless steel. Fan cylinder and fan screen are also constructed of the same material.

## Dual Fan Option

Evapco now offers a Dual Fan arrangement on 10x18, 12x18 and 12x20 nominal box sizes. The Dual Fan option gives users redundancy in large box sizes by providing independent motors, fans, and drives that previously only had a single fan and motor.

Optional Dual Fan units will have a “-DF” at the end of the model number in Spectrum. Fan kW and weights may vary.





# Water Treatment Solutions

## EVAPCO Water Systems

The ATWB is available with EVAPCO's factory-mounted water treatment systems, Smart Shield® or Pulse~Pure®. These systems will help maintain your heat transfer efficiency and extend the life of the cooler.

Specifically designed for each closed circuit cooler, our systems provide owners a single source of responsibility for equipment, water treatment and service. Both products are manufactured and warranted by EVAPCO. More about Smart Shield® and Pulse~Pure® can be found on page 19.

Benefits of adding an EVAPCO water treatment system include:

**SAVE MONEY** by simplifying equipment commission:

- Single power connection is the only field installation requirement

**Factory Mounting** your water treatment system ensures that it is installed to factory specifications.

**Patented self-draining piping** eliminates the need for pipe insulation and heat tracing above the overflow level.

**A Factory Authorized Service Partner** provides the first year of water system service and monitoring, to ensure proper operation and ongoing success.

**Conductivity control package** maximizes water efficiency and features:

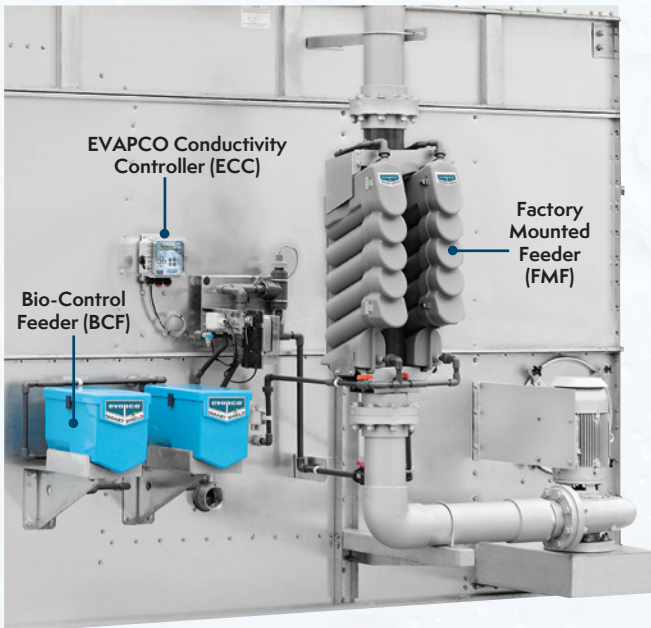
- Low maintenance non-fouling torodial probe
- USB port for downloadable 60 day audit trail of system operation
- Motorized blowdown valve that provides the most reliable bleed control with power open / spring return operation





# Water Treatment Solutions

## EVAPCO Water Systems



### Smart Shield® Solid Chemical Water Treatment System

Proven solid chemistry! A revolutionary feed system! Together, these make Smart Shield®, the easiest and safest chemical water treatment system available today, featuring:

- A patented, controlled-release scale and corrosion inhibitor that is fed whenever your spray water pump is operating
- A solid chemistry design that eliminates liquid chemical hazards—including spills—and the need for expensive feed pumps
- 'Bag in bag' no-touch chemical replenishments for easier, safer reloads and disposal
- Reduced packaging, shipping, and handling for a lower carbon footprint than liquid chemical options



Watch a short product video at [smartshield.evapco.eu](http://smartshield.evapco.eu).



### Pulse~Pure® Non-Chemical Water Treatment System

Pulse~Pure® from EVAPCO uses pulsed electric field technology to treat your water without chemicals. It's the environmentally responsible solution that also packs a powerful water-treating punch:

- Emits short, high frequency bursts of low energy electromagnetic fields to recirculating water
- Delivers a guaranteed maximum bacterial count of 10,000 CFU/ml in the cooling water
- Controls scale, corrosion, and microbiological growth with absolutely no chemicals required
- Compact design eliminates moving parts and ensures low energy consumption



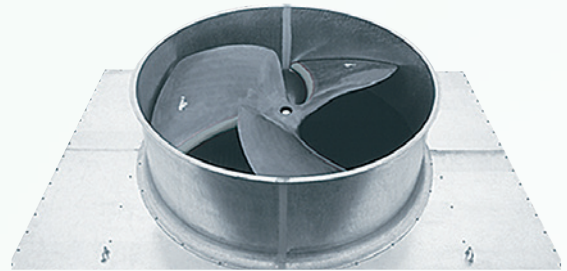
Learn more about Pulse~Pure® at [evapco.eu](http://evapco.eu).



# Optional Equipment: Low Sound Solutions

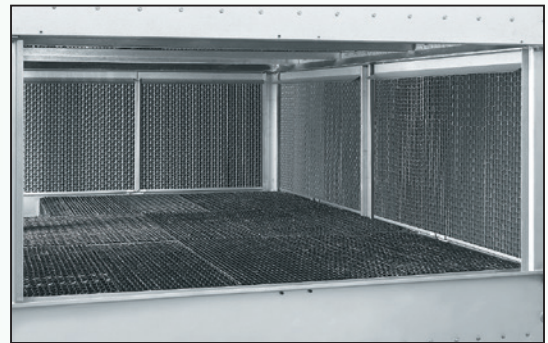
## Super Low Sound Fan – 9-15 dB(A) Reduction

When you are tasked with achieving the lowest sound levels possible, there is only one choice: the EVAPCO super low sound fan, the quietest, most noise efficient fan in the industry—capable of reducing sound pressure level by 9 to 15 dB(A)! *Note: Not available on 0,9 m and 1,2 m wide models.*



## Water Silencer – Reduces Water Noise up to 7 dB(A)

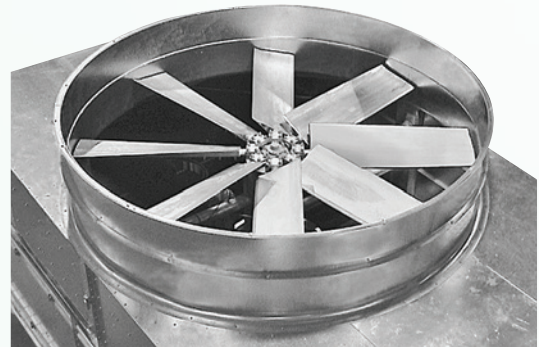
Located in the cold water basin, EVAPCO's water silencers reduce the high frequency noise associated with falling water and are capable of lowering overall sound levels 4 to 7 dB(A) when measured at 1,5 m from the side or end of the unit. When water is circulated with fans off, the results are even greater: as much as 9 to 12 dB(A) lower at the same measured distance (depending on water loading and louver height). Constructed of lightweight PVC sections, the silencers can be easily removed for access to the basin area. It will have no impact on thermal performance and is CTI certified. *Note: Only available on 0,9 m and 1,2 m foot-wide models with electronic water level controller package.*



## Low Sound Fan – 4-7 dB(A) Reduction

Ideal for sound-sensitive applications, EVAPCO's low sound fan features a wide chord blade and a unique soft-connect blade-to-hub design that is compatible with variable speed drives. Since the blades are not rigidly connected to the fan hub, no vertical vibration forces are transmitted to the unit structure. This reduces sound pressure levels by 4 to 7 dB(A), depending on specific unit selection and measurement location.

The fan is a high efficiency axial propeller and is CTI certified. The low sound fan has a thermal performance derate of 3.5%. Consult your EVAPCO representative for actual thermal performance.



## Offset Sound Attenuation Walls

Add EVAPCO's CTI-certified offset sound attenuation walls to your super low sound fan and water silencer options for the ultimate sound control. Constructed of Z-725 galvanized steel and lined inside with acoustical padding, the walls will typically reduce the 15 m free-field sound level by an additional 3 dB(A). Stainless steel construction also available. Requires external support by others. *Note: Available only in combination with super low sound fan and water silencer.*



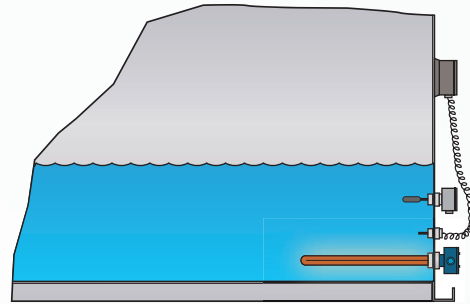


# Optional Equipment: Electric Basin Heaters

Electric immersion heaters can be added to the basin of your Advanced Technology series closed circuit cooler. They are sized to maintain a +4,5° C pan water temperature with the fans and system pumps off. A thermostat and low-water protection device cycle the heater on when required and prevent the heater elements from energizing unless they are completely submerged. All components are protected by rugged, weatherproof enclosures for outdoor use.

**ATWB Heater Sizes \***

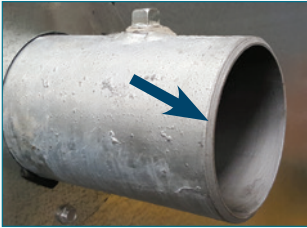
Unit No.	-18°C kW	-29°C kW	-40°C kW
ATWB 3x3	(1) 2	(1) 2	(1) 3
ATWB 4x4	(1) 2	(1) 3	(1) 4
ATWB 4x6	(1) 3	(1) 4	(1) 5
ATWB 4x9	(1) 4	(1) 5	(1) 7
ATWB 4x12	(1) 5	(1) 7	(1) 9
ATWB 8x9	(1) 6	(1) 9	(1) 12
ATWB 8x10,5	(1) 7	(1) 10	(1) 15
ATWB 8x12	(2) 4	(2) 6	(2) 8
ATWB 8x14	(2) 5	(2) 7	(2) 9
ATWB 8x18	(2) 6	(2) 9	(2) 12
ATWB 8x21	(2) 7	(2) 10	(2) 15
ATWB 8x24	(4) 4	(4) 6	(4) 8
ATWB 8x28	(4) 5	(4) 7	(4) 9
ATWB 8x36	(4) 6	(4) 9	(4) 12
ATWB 8x42	(4) 7	(4) 10	(4) 15
ATWB 16x10,5	(2) 7	(2) 10	(2) 15
ATWB 16x12	(4) 5	(4) 7	(4) 9
ATWB 16x14	(4) 5	(4) 7	(4) 9
ATWB 10x12	(2) 5	(2) 8	(2) 10
ATWB 10x18	(2) 7	(2) 12	(2) 15
ATWB 10x24	(4) 5	(4) 8	(4) 10
ATWB 10x36	(4) 7	(4) 12	(4) 15
ATWB 20x12	(4) 5	(4) 8	(4) 10
ATWB 20x18	(4) 7	(4) 12	(4) 15
ATWB 20x24	(4) 10	(4) 15	(4) 20
ATWB 20x36	(4) 15	(6) 15	(6) 20
ATWB 12x12	(2) 6	(2) 9	(2) 12
ATWB 12x14	(2) 7	(2) 10	(2) 15
ATWB 12x18	(2) 9	(2) 15	(2) 18
ATWB 12x20	(2) 10	(2) 15	(3) 15
ATWB 12x24	(4) 6	(4) 9	(4) 12
ATWB 12x28	(4) 7	(4) 10	(4) 15
ATWB 12x36	(4) 9	(4) 15	(4) 18
ATWB 12x40	(4) 10	(4) 15	(6) 15
ATWB 24x12	(4) 6	(4) 9	(4) 12
ATWB 24x14	(4) 7	(4) 10	(4) 15
ATWB 24x18	(4) 9	(4) 15	(4) 18
ATWB 24x20	(4) 10	(4) 15	(4) 20
ATWB 24x24	(4) 12	(4) 18	(6) 15
ATWB 24x28	(4) 15	(4) 20	(6) 18
ATWB 24x36	(4) 18	(6) 18	(8) 18
ATWB 24x40	(4) 20	(6) 20	(8) 20



\* Electric heater selection based on ambient air temperature shown.



# Coil Connection Options



## Beveled For Weld (BFW) Coil Connections

EVAPCO Closed Circuit Coolers are provided with Beveled For Weld (BFW) coil connections as standard. Beveled edges simplify field welding and allow welds to fully penetrate.

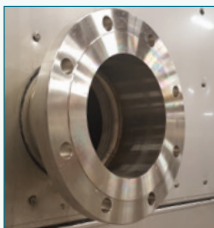
---



## Optional Factory Mounted Crossover Piping

Some EVAPCO Closed Circuit Coolers are design for "series flow" coil operation where the coils inside of one cell are operated in series. These units are denoted by a "-Z" following the unit model number. These units require "crossover piping" from one coil to the other. Crossover piping is factory mounted as per standard for simplified field installation.

---



## Optional Flanged Coil Connections

Flat Flanged connections can be provided as an optional coil connection (DIN2576 as per standard). The flanged coil connection allows for faster and easier field piping to a mating flanged connection. Alternative type of flanges can be provided in some cases. Please see your local sales representative.

---



## Optional Nitrogen Charged Coils

For projects requiring long term storage or ocean freight, coils can be nitrogen charged at the factory to prevent corrosion inside of the coil circuits.

# Heat Exchanger Coil / Discharge Hood Dimensions

## Heat Exchanger Coil

The simplest and most foolproof method of protecting the heat exchanger coil from freeze-up is to use a glycol solution. If this is not possible, an auxiliary heat load must be maintained on the coil at all times so that the water temperature does not drop below 10°C when the cooler is shut down. Also, a minimum recommended flow rate per unit must be maintained. Refer to Heat Loss Data Table on page 24 for heat loss data.

Minimum Flows	Standard Flow LPS	Series Flow LPS
ATWB 3x3	-	1,6
ATWB 4x4	-	2,3
ATWB 4x6 to 4x12	4,7	2,3
ATWB 8,5 x 7,5	9,3	4,7
ATWB 8x9 to 8x21	9,3	4,7
ATWB 8x24 to 8x42	18,7	9,3
ATWB 16x10,5 to 16x14	20,2	10,1
ATWB 10x12 to 10x18	11,9	5,9
ATWB 10x24 to 10x36	23,7	11,9
ATWB 20x12 to 20x18	23,7	11,9
ATWB 20x24 to 20x36	47,4	23,7
ATWB 12x12 to 12x20	14,6	7,3
ATWB 12x24 to 24x20	29,3	14,6
ATWB 24x24 to 24x28	58,5	29,3

## Discharge Hoods with Positive Closure Dampers

When a closed circuit cooler is used in a water-to-air heat pump system or in certain process cooling applications, a method of reducing the heat loss during idle periods of wintertime operation may be required. For these cases, an optional discharge hood with positive closure dampers and damper actuator is available.

The discharge hood with dampers is designed to minimize the heat loss from convective airflow through an idle cooler. Further reductions in heat loss may be obtained with the addition of insulation to the hood and casing, minimizing conductive heat losses. Insulation may be factory installed on the hood and casing or field installed by an insulation contractor.

The discharge hood and dampers are constructed of hot-dip galvanized steel. Hoods are equipped with access panels to facilitate maintenance of the eliminators and water distribution system. The dampers, damper actuator and linkage are all factory assembled. Actuator controls and wiring are field supplied by others. Damper actuators require 230 volt power supply.

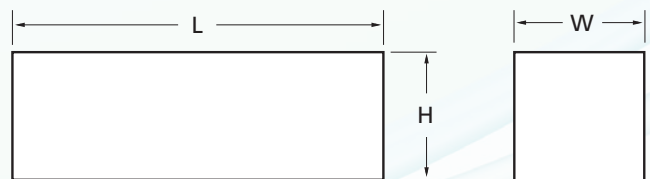
The system control sequence should allow for dampers to be fully open before the fans are running and closed when the fans are off; the damper actuator must be interlocked with the temperature control system for this purpose.

Heat loss data is provided for standard units without hoods, with hoods and with hoods and insulation. Table ratings are based on 10°C water in the coil, -23°C ambient and 72 km/h winds (fan and pump off). Refer to page 24.

## Discharge Hood Dimensions

Model	Length	H	W	Weight (kg)	Number of Hoods
ATWB 3x3	908	454	916	60	1
ATWB 4x4	1216	454	1219	86	1
ATWB 4x6	1822	454	1219	163	1
ATWB 4x9	2731	454	1219	231	1
ATWB 4x12	3651	454	1219	299	1
ATWB 8x9	2642	403	2388	413	1
ATWB 8x10.5	2642	403	2388	479	1
ATWB 8x12	2642	403	2388	479	1
ATWB 8x14	2642	403	2388	479	1
ATWB 8x18	2642	403	2388	413	2
ATWB 8x21	2642	403	2388	479	2
ATWB 8x24	2642	403	2388	479	2
ATWB 8x28	2642	403	2388	479	2
ATWB 8x36	2642	403	2388	413	4
ATWB 8x42	2642	403	2388	479	4
ATWB 16x10.5	2642	403	2388	413	2
ATWB 16x12	2642	403	2388	479	2
ATWB 16x14	2642	403	2388	479	2
ATWB 10x12	3651	362	2994	785	1
ATWB 10x18	3651	362	2994	785	1
ATWB 10x24	3651	362	2994	785	2
ATWB 10x36	3651	362	2994	785	2
ATWB 20x12	3651	362	2994	785	2
ATWB 20x18	3651	362	2994	785	2
ATWB 20x24	3651	362	2994	785	4
ATWB 20x36	3651	362	2994	785	4
ATWB 12x12	3648	419	3607	816	1
ATWB 12x14	4001	419	3607	816	1
ATWB 12x18	4001	419	3607	816	1
ATWB 12x20	4001	419	3607	816	1
ATWB 12x24	3648	419	3607	816	2
ATWB 12x28	4001	419	3607	816	2
ATWB 12x36	4001	419	3607	816	2
ATWB 12x40	4001	419	3607	816	2
ATWB 24x12	3648	419	3607	816	2
ATWB 24x14	4001	419	3607	816	2
ATWB 24x18	4001	419	3607	816	2
ATWB 24x20	4001	419	3607	816	2
ATWB 24x24	3648	419	3607	816	4
ATWB 24x28	4001	419	3607	816	4
ATWB 24x36	4001	419	3607	816	4
ATWB 24x40	4001	419	3607	816	4

\* Overall unit height will be height of the base unit plus the H dimension.



# Heat Loss Data

## Heat Loss Data

Catalog Code	Standard Unit (kW)	Unit With Hood (kW)	With Hood & Insulation (kW)
3-2x3	4,8	4,6	2,9
3-3x3	6,6	5,6	3,6
3-4x3	8,0	6,1	3,9
3-5x3	9,0	6,6	4,3
4-2x4	9,3	8,8	5,7
4-3x4	12,8	10,8	6,9
4-4x4	15,5	11,7	7,5
4-5x4	17,4	12,7	8,1
4-3x6	19,7	15,9	10,2
4-4x6	23,8	17,3	11,1
4-5x6	26,7	18,7	12,0
4-3x9	29,9	21,3	13,6
4-4x9	36,2	23,1	14,8
4-5x9	40,7	24,9	15,9
4-3x12	40,2	26,6	17,0
4-4x12	48,6	28,8	18,4
4-5x12	54,6	31,0	19,9
8-3x9	59,8	34,2	21,9
8-4x9	72,4	36,6	23,4
8-5x9	81,4	38,9	24,9
8-6x9	86,6	41,3	26,4
8-7x9	88,2	43,1	27,6
8-3x10.5	70,1	37,9	24,3
8-4x10.5	84,9	40,4	25,9
8-5x10.5	95,3	43,0	27,5
8-6x10.5	101,5	45,5	29,2
8-7x10.5	103,3	47,5	30,4
8-3x12	80,4	41,5	26,6
8-4x12	97,3	44,3	28,4
8-5x12	109,3	47,0	30,1
8-6x12	116,3	49,8	31,9
8-7x12	118,5	51,9	33,3
8-3x14	94,0	46,4	29,7
8-4x14	113,8	49,4	31,7
8-5x14	127,9	52,5	33,6
8-6x14	136,1	55,5	35,6
8-7x14	138,6	57,8	37,1
8-3x18	121,4	56,1	35,9
8-4x18	147,0	59,7	38,2
8-5x18	165,1	63,3	40,5
8-6x18	175,7	66,9	42,9
8-7x18	179,0	69,7	44,6
8-3x21	141,9	63,4	40,6
8-4x21	171,8	67,4	43,2
8-5x21	193,0	71,4	45,7
8-6x21	205,5	75,4	48,3
8-7x21	209,2	78,5	50,3
8-3x24	160,7	70,7	45,3
8-4x24	194,6	75,1	48,1
8-5x24	218,6	79,5	50,9
8-6x24	232,7	84,0	53,8
8-7x24	236,9	87,4	56,0
8-3x28	188,1	80,4	51,5
8-4x28	227,7	85,4	54,7
8-5x28	255,8	90,4	57,9
8-6x28	272,3	95,3	61,1
8-7x28	277,3	99,2	63,5

Catalog Code	Standard Unit (kW)	Unit With Hood (kW)	With Hood & Insulation (kW)
8-3x36	242,8	99,8	63,9
8-4x36	293,9	105,9	67,9
8-5x36	330,2	112,0	71,8
8-6x36	351,5	118,1	75,7
8-7x36	357,9	122,8	78,7
8-3x42	283,8	114,4	73,3
8-4x42	343,6	121,3	77,7
8-5x42	386,0	128,3	82,2
8-6x42	410,9	135,2	86,6
8-7x42	418,4	140,5	90,0
8,5-3x7.5	53,0	30,4	19,5
8,5-4x7.5	64,2	32,6	20,9
8,5-5x7.5	72,1	34,9	22,3
8,5-6x7.5	76,7	37,1	23,8
8,5-7x7.5	78,1	38,8	24,8
16-3x10.5	140,2	59,5	38,1
16-4x10.5	169,7	63,2	40,5
16-5x10.5	190,7	66,9	42,8
16-6x10.5	203,0	70,5	45,2
16-7x10.5	206,7	73,3	47,0
16-3x12	160,7	64,5	41,3
16-4x12	194,6	68,4	43,8
16-5x12	218,6	72,3	46,3
16-6x12	232,7	76,1	48,8
16-7x12	236,9	79,1	50,7
16-3x14	188,1	71,1	45,6
16-4x14	227,7	75,3	48,2
16-5x14	255,8	79,4	50,9
16-6x14	272,3	83,6	53,6
16-7x14	277,3	86,8	55,6
10-3x12	102,1	53,8	34,5
10-4x12	123,6	57,3	36,7
10-5x12	138,8	60,7	38,9
10-6x12	147,8	64,2	41,1
10-7x12	150,5	64,2	41,1
10-3x18	154,2	71,5	45,8
10-4x18	186,7	75,9	48,6
10-5x18	209,7	80,3	51,4
10-6x18	223,2	84,7	54,3
10-7x18	227,3	84,7	54,3
10-3x24	204,2	89,2	57,1
10-4x24	247,2	94,5	60,6
10-5x24	277,6	99,9	64,0
10-6x24	295,6	105,2	67,4
10-7x24	301,0	105,2	67,4
10-3x36	308,4	124,6	79,8
10-4x36	373,4	131,8	84,4
10-5x36	419,4	139,0	89,1
10-6x36	446,5	146,3	93,7
10-7x36	454,7	146,3	93,7
20-3x12	204,2	85,5	54,8
20-4x12	247,2	90,5	58,0
20-5x12	277,6	95,6	61,2
20-6x12	295,6	100,6	64,4
20-7x12	301,0	100,6	64,4



# Heat Loss Data

## Heat Loss Data

Catalog Code	Standard Unit (kW)	Unit With Hood (kW)	With Hood & Insulation (kW)
20-3x18	308,4	109,9	70,4
20-4x18	373,4	115,8	74,2
20-5x18	419,4	121,8	78,0
20-6x18	446,5	127,8	81,9
20-7x18	454,7	127,8	81,9
20-3x24	408,3	134,2	86,0
20-4x24	494,3	141,1	90,4
20-5x24	555,3	148,0	94,8
20-6x24	591,1	155,0	99,3
20-7x24	602,0	155,0	99,3
20-3x36	616,8	182,9	117,2
20-4x36	746,7	191,7	122,8
20-5x36	838,8	200,5	128,4
20-6x36	893,0	209,3	134,1
20-7x36	909,3	209,3	134,1
12-3x12	126,0	60,1	38,5
12-4x12	152,5	63,9	40,9
12-5x12	171,3	67,7	43,4
12-6x12	182,4	71,5	45,8
12-7x12	185,7	71,5	45,8
12-3x14	147,4	66,5	42,6
12-4x14	178,5	70,6	45,2
12-5x14	200,5	74,7	47,8
12-6x14	213,4	78,7	50,4
12-7x14	217,3	78,7	50,4
12-3x18	190,3	79,2	50,7
12-4x18	230,4	83,9	53,7
12-5x18	258,8	88,6	56,8
12-6x18	275,5	93,3	59,8
12-7x18	280,5	93,3	59,8
12-3x20	211,7	85,5	54,8
12-4x20	256,3	90,5	58,0
12-5x20	287,9	95,6	61,2
12-6x20	306,5	100,6	64,4
12-7x20	312,2	100,6	64,4
12-3x24	251,9	98,2	62,9
12-4x24	305,0	103,9	66,5
12-5x24	342,6	109,5	70,2
12-6x24	364,7	115,2	73,8
12-7x24	371,4	115,2	73,8
12-3x28	294,8	110,9	71,0
12-4x28	356,9	117,2	75,1
12-5x28	400,9	123,5	79,1
12-6x28	426,8	129,7	83,1
12-7x28	434,6	129,7	83,1
12-3x36	380,6	136,3	87,3
12-4x36	460,8	143,8	92,1
12-5x36	517,6	151,3	96,9
12-6x36	551,0	158,9	101,8
12-7x36	561,1	158,9	101,8
12-3x40	423,5	148,9	95,4
12-4x40	512,7	157,1	100,6
12-5x40	575,9	165,3	105,9
12-6x40	613,1	173,4	111,1
12-7x40	624,3	173,4	111,1

Catalog Code	Standard Unit (kW)	Unit With Hood (kW)	With Hood & Insulation (kW)
24-3x12	251,9	98,2	62,9
24-4x12	305,0	103,9	66,5
24-5x12	342,6	109,5	70,2
24-6x12	364,7	115,2	73,8
24-7x12	371,4	115,2	73,8
24-3x14	294,8	107,2	68,7
24-4x14	356,9	113,2	72,5
24-5x14	400,9	119,1	76,3
24-6x14	426,8	125,1	80,1
24-7x14	434,6	125,1	80,1
24-3x18	380,6	125,2	80,2
24-4x18	460,8	131,8	84,4
24-5x18	517,6	138,4	88,7
24-6x18	551,0	145,0	92,9
24-7x18	561,1	145,0	92,9
24-3x20	423,5	134,2	86,0
24-4x20	512,7	141,1	90,4
24-5x20	575,9	148,0	94,8
24-6x20	613,1	155,0	99,3
24-7x20	624,3	155,0	99,3
24-3x24	503,9	152,2	97,5
24-4x24	610,0	159,8	102,3
24-5x24	685,2	167,3	107,2
24-6x24	729,5	174,8	112,0
24-7x24	742,8	174,8	112,0
24-3x28	589,7	170,2	109,0
24-4x28	713,9	178,4	114,3
24-5x28	801,8	186,6	119,5
24-6x28	853,7	194,7	124,7
24-7x28	869,3	194,7	124,7
24-3x36	761,2	206,2	132,1
24-4x36	921,5	215,7	138,2
24-5x36	1035,1	225,1	144,2
24-6x36	1102,0	234,5	150,2
24-7x36	1122,2	234,5	150,2
24-3x40	847,0	224,3	143,7
24-4x40	1025,3	234,3	150,1
24-5x40	1151,7	244,4	156,5
24-6x40	1226,2	254,4	163,0
24-7x40	1248,6	254,4	163,0

# General Information

## Design

EVAPCO closed circuit coolers are of heavy-duty construction and designed for long trouble-free operation. Proper equipment selection, installation and maintenance is, however, necessary to ensure full unit performance. Some of the major considerations in the application of a cooler are presented below. For additional information, contact the factory.

## Air Circulation

It is important that proper air circulation be provided. The best location is on an unobstructed roof top or on ground level away from walls and other barriers. Those closed circuit coolers located in wells, enclosures or adjacent to high walls must be properly located to avoid the problems associated with recirculation.

Recirculation raises the wet bulb temperature of the entering air causing the water temperature to rise above the design. For these cases, the discharge of the unit should be located at a height even with the adjacent wall, thereby reducing the chance of recirculation. For additional information, see the EVAPCO equipment layout manual.

Good engineering practice dictates that the closed circuit cooler discharge air not be directed or located close to or in the vicinity of building air intakes.

## Piping

Cooler piping should be designed and installed in accordance with generally accepted engineering practices. The piping layout should be symmetrical on multiple unit systems, and sized for a reasonably low water velocity and pressure drop.

The standard closed circuit cooler is recommended only on a closed, pressurized system. The piping system should include an expansion tank to allow for fluid expansion and purging air from the system.

**Note: closed circuit coolers should never be used on an open type system. An open type system with a cooler may result in premature coil failure.**

The piping system should be designed to permit complete drainage of the heat exchanger coil. This will require a vacuum breaker or air vent to be installed at the high point and a drain valve installed at the low point of the piping system. Both must be adequately sized.

All piping should be securely anchored by properly designed hangers and supports. No external loads should be placed upon the cooler connections, nor should any of the pipe supports be anchored to the cooler framework.

## Recirculating Water Quality

Proper water treatment is an essential part of the maintenance required for evaporative cooling equipment. A well designed and consistently implemented water treatment program will help to ensure efficient system operation while maximizing the equipment's service life. **If EVAPCO factory mounted water systems are not utilized**, a qualified water treatment company should design a site specific water treatment protocol based on equipment (including all metallurgies in the cooling system), location, makeup water quality, and usage.

## Bleed off

Evaporative cooling equipment requires a bleed or blowdown line, located on the discharge side of the recirculating pump, to remove concentrated (cycled up) water from the system. EVAPCO recommends an automated conductivity controller to maximize the water efficiency of your system. **If EVAPCO factory mounted water systems are not utilized**, based on recommendations from your water treatment company, the conductivity controller should open and close a motorized ball or solenoid valve to maintain the conductivity of the recirculating water. If a manual valve is used to control the rate of bleed it should be set to maintain the conductivity of the recirculating water during periods of peak load at the maximum level recommended by your water treatment company.

## Water Treatment

The water treatment program prescribed for the given conditions must be compatible with the unit's materials of construction, including any galvanized components. The initial commissioning and passivation period is a critical time for maximizing the service life of galvanized equipment. EVAPCO recommends that the site specific water treatment protocol includes a passivation procedure which details water chemistry, any necessary chemical addition, and visual inspections during the first six (6) to twelve (12) weeks of operation. During this passivation period, recirculating water pH should be maintained above 7.0 and below 8.0 at all times. Batch feeding of chemicals is not recommended.

## Control of Biological Contaminants

Evaporative cooling equipment should be inspected regularly to ensure good microbiological control. Inspections should include both monitoring of microbial populations via culturing techniques and visual inspections for evidence of biofouling.

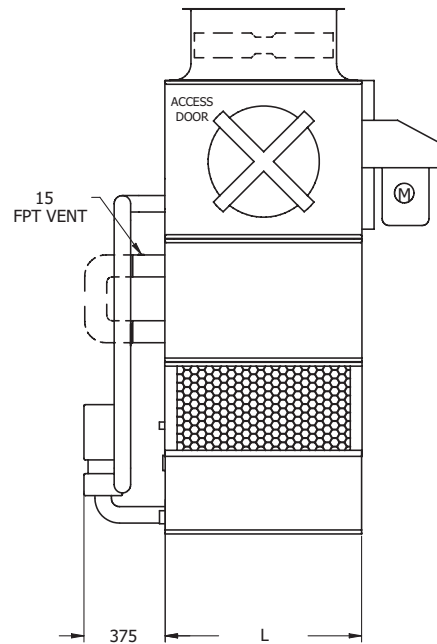
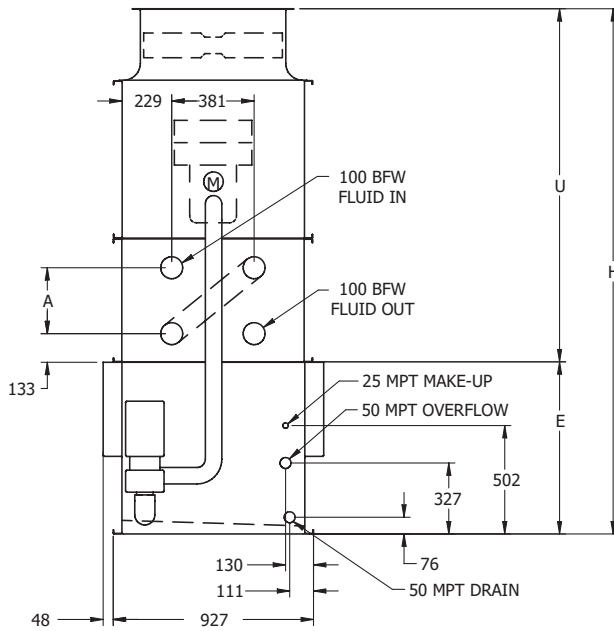
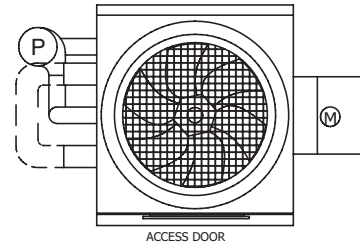
Poor microbiological control can result in loss of heat transfer efficiency, increase corrosion potential, and increase the risk of pathogens such as those that cause Legionnaires' disease. Your site specific water treatment protocol should include procedures for routine operation, startup after a shut-down period, and system lay-up, if applicable. If excessive microbiological contamination is detected, a more aggressive mechanical cleaning and/or water treatment program should be undertaken.

# Models: ATWB 3-2C3 to 3-5D3

## Closed Circuit Coolers

Selections for ATWB Closed Circuit Coolers are available from EVAPCO's evapSelect® Equipment Selection Program.

Please contact your local sales representative for more information on the evapSelect® program.



**Note:** The number of coil connections doubles when the flow rate exceeds 28 l/s on 3x3 models. This required option is referred to as the High Flow coil configuration.

ATWB model number†	Weights (kg)			Fans		Spray Pump		Coil Volume (Liters)	Remote Sump <sup>△</sup>			Dimensions <sup>▲</sup> (mm)				
	Shipping	Heaviest Section	Operating	kW	m <sup>3</sup> /s	kW	l/s		Liters* Req'd.	Conn. Size	Operating Weight (kg)	Height H	Length L	Lower E	Upper U	Coil A
ATWB 3-2C3	520	Upper	760	0,75	2,2	0,55	6,3	61	380	150	655	2.429	908	794	1.635	305
ATWB 3-3C3	595	Upper	855	0,75	2,1	0,55	6,3	79	380	150	745	2.619	908	794	1.826	495
ATWB 3-4C3	660	Upper	940	0,75	2,0	0,55	6,3	98	380	150	830	2.810	908	794	2.016	686
ATWB 3-4D3	660	Upper	945	1,1	2,3	0,55	6,3	98	380	150	835	2.810	908	794	2.016	686
ATWB 3-5C3	725	Upper	1.025	0,75	2,0	0,55	6,3	117	380	150	915	3.000	908	794	2.207	876
ATWB 3-5D3	730	Upper	1.030	1,1	2,2	0,55	6,3	117	380	150	920	3.000	908	794	2.207	876

† Model Numbers end in "-Z" for units with Series Flow piping configuration. 3x3 ATWB units are only available in Series Flow and will require crossover piping which can either be supplied by the factory or by others. Model numbers will include "C" for units with Stainless Steel coil(s), "R" for units with Low Sound Fan(s) and "S" for units with an option that negates CTI certification.

†† Heaviest section is the coil/fan section.

\* Liters shown is water in suspension in unit and piping. Allow for additional water in bottom of remote sump to cover pump suction and strainer during operation (300 mm would normally be sufficient).

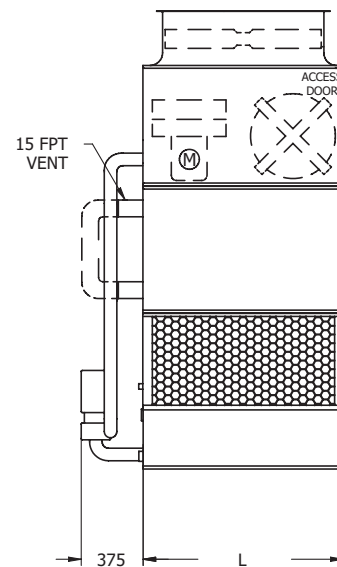
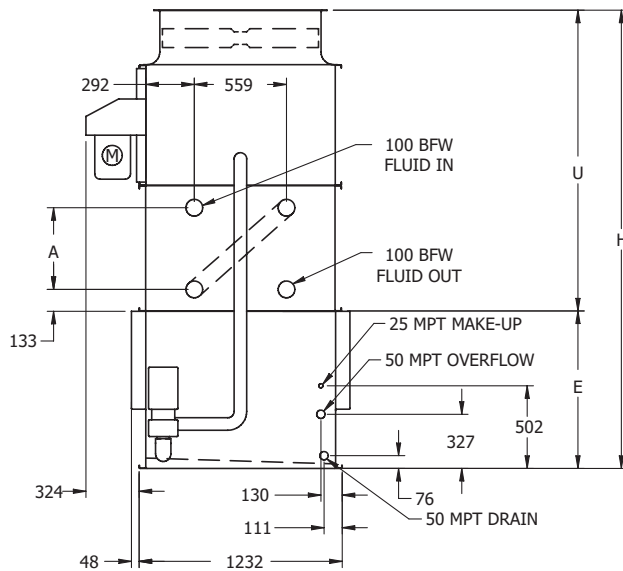
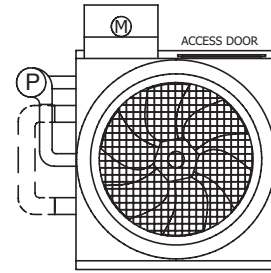
△ When a remote sump arrangement is selected, the spray pump, suction strainer and associated piping are omitted; the unit is provided with an oversized outlet to facilitate drainage to the remote sump.

▲ Unit dimensions and coil connections may vary slightly from catalog. See factory certified prints for dimensions, quantity of coil connections, and piping configuration. Coil connections are 100 mm bevel for weld (BFW). Other connection types such as grooved for mechanical coupling or flanged are also available as options.



# Models: ATWB 4-2E4 to 4-5F4

## Closed Circuit Coolers



**Note:** The number of coil connections doubles when the flow rate exceeds 28 l/s on 4x4 models. This required option is referred to as the High Flow coil configuration.

ATWB model number†	Weights (kg)			Fans		Spray Pump		Coil Volume (Liters)	Remote Sump <sup>△</sup>			Dimensions <sup>▲</sup> (mm)				
	Shipping	Heaviest Section	Operating	kW	m <sup>3</sup> /s	kW	l/s		Liters* Req'd.	Conn. Size	Operating Weight (kg)	Height H	Length L	Lower E	Upper U	Coil A
ATWB 4-2E4	775	Upper	1.205	1,5	4,1	0,55	6,3	102	380	150	1.050	2.588	1.216	953	1.635	305
ATWB 4-3E4	905	Upper	1.375	1,5	3,9	0,55	6,3	140	380	150	1.215	2.778	1.216	953	1.826	495
ATWB 4-4E4	1.020	Upper	1.525	1,5	3,8	0,55	6,3	178	380	150	1.365	2.969	1.216	953	2.016	686
ATWB 4-4F4	1.035	Upper	1.540	2,2	4,3	0,55	6,3	178	380	150	1.380	2.969	1.216	953	2.016	686
ATWB 4-5E4	1.145	Upper	1.685	1,5	3,7	0,55	6,3	216	380	150	1.525	3.159	1.216	953	2.207	876
ATWB 4-5F4	1.155	Upper	1.695	2,2	4,2	0,55	6,3	216	380	150	1.540	3.159	1.216	953	2.207	876

† Model Numbers end in "-Z" for units with Series Flow piping configuration. 4x4 ATWB units are only available in Series Flow and will require crossover piping which can either be supplied by the factory or by others. Model numbers will include "C" for units with Stainless Steel coil(s), "R" for units with Low Sound Fan(s) and "S" for units with an option that negates CTI certification.

†† Heaviest section is the coil/fan section.

\* Liters shown is water in suspension in unit and piping. Allow for additional water in bottom of remote sump to cover pump suction and strainer during operation (300 mm would normally be sufficient).

△ When a remote sump arrangement is selected, the spray pump, suction strainer and associated piping are omitted; the unit is provided with an oversized outlet to facilitate drainage to the remote sump.

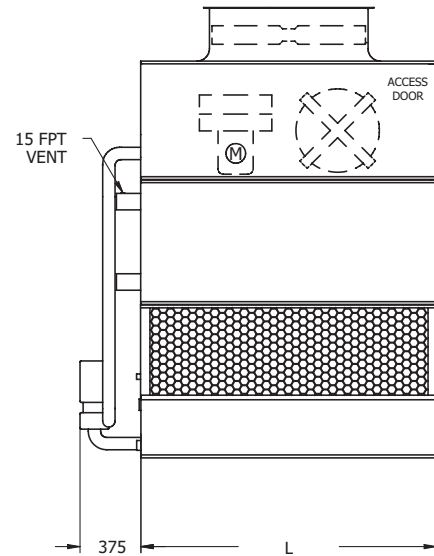
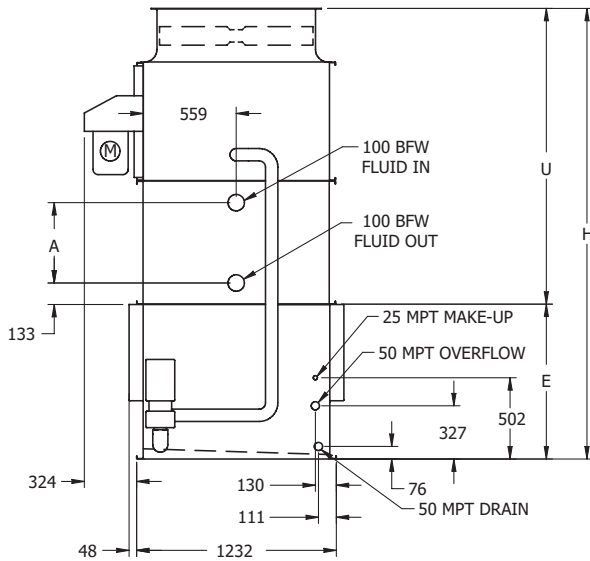
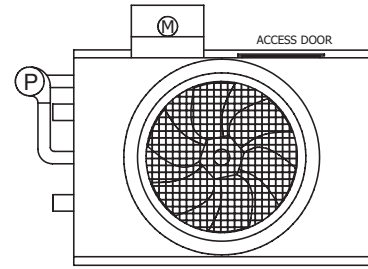
▲ Unit dimensions and coil connections may vary slightly from catalog. See factory certified prints for dimensions, quantity of coil connections, and piping configuration. Coil connections are 100 mm bevel for weld (BFW). Other connection types such as grooved for mechanical coupling or flanged are also available as options.

# Models: ATWB 4-3E6 to 4-5G6

## Closed Circuit Coolers

Selections for ATWB Closed Circuit Coolers are available from EVAPCO's evapSelect® Equipment Selection Program.

Please contact your local sales representative for more information on the evapSelect® program.



**Note:** The number of coil connections doubles when the flow rate exceeds 28 l/s on 4x6 models. This required option is referred to as the High Flow coil configuration.

ATWB model number†	Weights (kg)			Fans		Spray Pump		Coil Volume (Liters)	Remote Sump <sup>△</sup>			Dimensions <sup>▲</sup> (mm)				
	Shipping	Heaviest Section	Operating	kW	m <sup>3</sup> /s	kW	l/s		Liters* Req'd.	Conn. Size	Operating Weight (kg)	Height H	Length L	Lower E	Upper U	Coil A
ATWB 4-3E6	1.245	Upper	1.935	1,5	5,2	0,55	8,5	201	455	150	1.730	2.778	1.826	953	1.826	495
ATWB 4-3F6	1.260	Upper	1.950	2,2	5,9	0,55	8,5	201	455	150	1.740	2.778	1.826	953	1.826	495
ATWB 4-3G6	1.265	Upper	1.955	4	6,9	0,55	8,5	201	455	150	1.745	2.778	1.826	953	1.826	495
ATWB 4-4E6	1.415	Upper	2.165	1,5	5,0	0,55	8,5	257	455	150	1.955	2.969	1.826	953	2.016	686
ATWB 4-4F6	1.430	Upper	2.175	2,2	5,7	0,55	8,5	257	455	150	1.970	2.969	1.826	953	2.016	686
ATWB 4-4G6	1.435	Upper	2.180	4	6,7	0,55	8,5	257	455	150	1.975	2.969	1.826	953	2.016	686
ATWB 4-5E6	1.600	Upper	2.405	1,5	4,9	0,55	8,5	314	455	150	2.195	3.159	1.826	953	2.207	876
ATWB 4-5F6	1.615	Upper	2.420	2,2	5,6	0,55	8,5	314	455	150	2.210	3.159	1.826	953	2.207	876
ATWB 4-5G6	1.620	Upper	2.420	4	6,5	0,55	8,5	314	455	150	2.215	3.159	1.826	953	2.207	876

† Model Numbers end in "-Z" for units with Series Flow piping configuration. 4x4 ATWB units are only available in Series Flow and will require crossover piping which can either be supplied by the factory or by others. Model numbers will include "C" for units with Stainless Steel coil(s), "R" for units with Low Sound Fan(s) and "S" for units with an option that negates CTI certification.

†† Heaviest section is the coil/fan section.

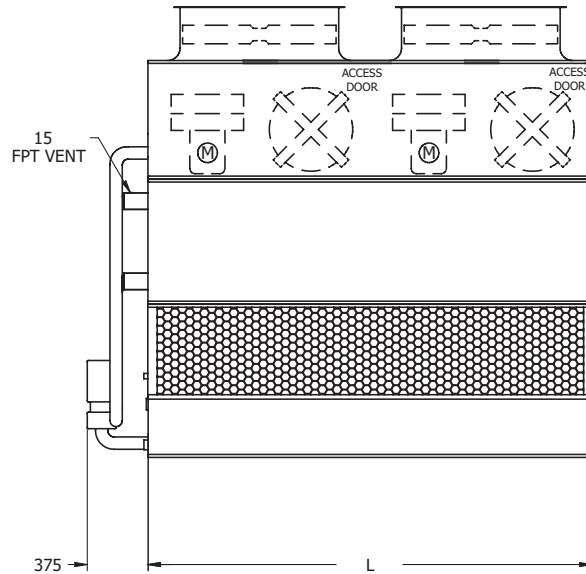
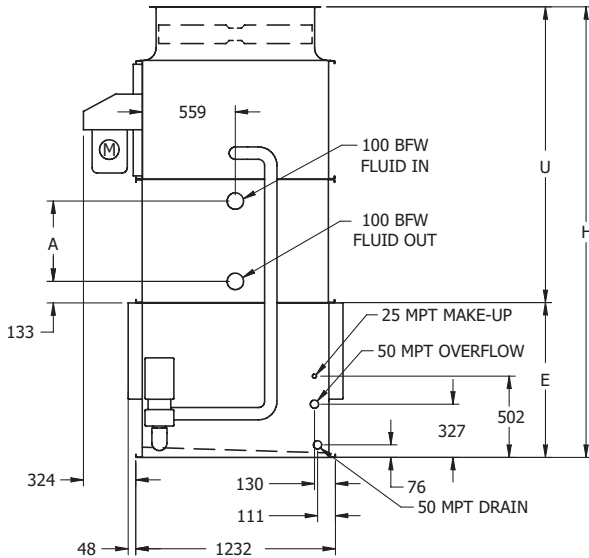
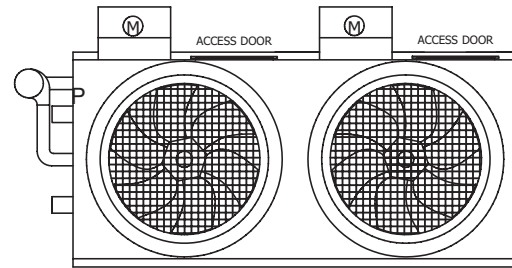
\* Liters shown is water in suspension in unit and piping. Allow for additional water in bottom of remote sump to cover pump suction and strainer during operation (300 mm would normally be sufficient).

△ When a remote sump arrangement is selected, the spray pump, suction strainer and associated piping are omitted; the unit is provided with an oversized outlet to facilitate drainage to the remote sump.

▲ Unit dimensions and coil connections may vary slightly from catalog. See factory certified prints for dimensions, quantity of coil connections, and piping configuration. Coil connections are 100 mm bevel for weld (BFW). Other connection types such as grooved for mechanical coupling or flanged are also available as options.

# Models: ATWB 4-3E9 to 4-5F9 ATWB 4-3E12 to 4-5G12

## Closed Circuit Coolers



**Note:** The number of coil connections doubles when the flow rate exceeds 28 l/s on ATWB 4x9 and 4x12 models. This required option is referred to as the High Flow coil configuration.

ATWB model number†	Weights (kg)			Fans				Spray Pump	Coil Volume (Liters)	Remote Sump <sup>Δ</sup>			Dimensions <sup>▲</sup> (mm)				
	Shipping	Heaviest Section	Operating	kW	m <sup>3</sup> /s	kW	l/s	Liters* Req'd.		Conn. Size	Operating Weight (kg)	Height H	Length L	Lower E	Upper U	Coil A	
ATWB 4-3E9	1.835	Upper	2.835	1,5	8,5	0,75	12,6	288	680	150	2.555	2.778	2.731	953	1.826	495	
ATWB 4-3F9	1.865	Upper	2.860	2,2	9,6	0,75	12,6	288	680	150	2.580	2.778	2.731	953	1.826	495	
ATWB 4-4E9	2.085	Upper	3.170	1,5	8,3	0,75	12,6	379	680	150	2.890	2.969	2.731	953	2.016	686	
ATWB 4-4F9	2.115	Upper	3.200	2,2	9,4	0,75	12,6	379	680	150	2.915	2.969	2.731	953	2.016	686	
ATWB 4-5E9	2.355	Upper	3.530	1,5	8,0	0,75	12,6	466	680	150	3.250	3.159	2.731	953	2.207	876	
ATWB 4-5F9	2.380	Upper	3.555	2,2	9,1	0,75	12,6	466	680	150	3.275	3.159	2.731	953	2.207	876	
ATWB 4-3E12	2.220	Upper	3.535	1,5	10,3	1,1	17,0	379	870	200	3.180	2.778	3.651	953	1.826	495	
ATWB 4-3F12	2.245	Upper	3.560	2,2	11,8	1,1	17,0	379	870	200	3.205	2.778	3.651	953	1.826	495	
ATWB 4-3G12	2.255	Upper	3.570	4	13,7	1,1	17,0	379	870	200	3.215	2.778	3.651	953	1.826	495	
ATWB 4-4E12	2.555	Upper	3.985	1,5	10,0	1,1	17,0	496	870	200	3.635	2.969	3.651	953	2.016	686	
ATWB 4-4F12	2.580	Upper	4.015	2,2	11,5	1,1	17,0	496	870	200	3.660	2.969	3.651	953	2.016	686	
ATWB 4-4G12	2.590	Upper	4.025	4	13,3	1,1	17,0	496	870	200	3.670	2.969	3.651	953	2.016	686	
ATWB 4-5E12	2.915	Upper	4.470	1,5	9,7	1,1	17,0	613	870	200	4.115	3.159	3.651	953	2.207	876	
ATWB 4-5F12	2.945	Upper	4.495	2,2	11,1	1,1	17,0	613	870	200	4.140	3.159	3.651	953	2.207	876	
ATWB 4-5G12	2.955	Upper	4.505	4	12,9	1,1	17,0	613	870	200	4.150	3.159	3.651	953	2.207	876	

† Model Numbers end in "-Z" for units with Series Flow piping configuration. 4x4 ATWB units are only available in Series Flow and will require crossover piping which can either be supplied by the factory or by others. Model numbers will include "C" for units with Stainless Steel coil(s), "R" for units with Low Sound Fan(s) and "S" for units with an option that negates CTI certification.

†† Heaviest section is the coil/fan section.

\* Liters shown is water in suspension in unit and piping. Allow for additional water in bottom of remote sump to cover pump suction and strainer during operation (300 mm would normally be sufficient).

Δ When a remote sump arrangement is selected, the spray pump, suction strainer and associated piping are omitted; the unit is provided with an oversized outlet to facilitate drainage to the remote sump.

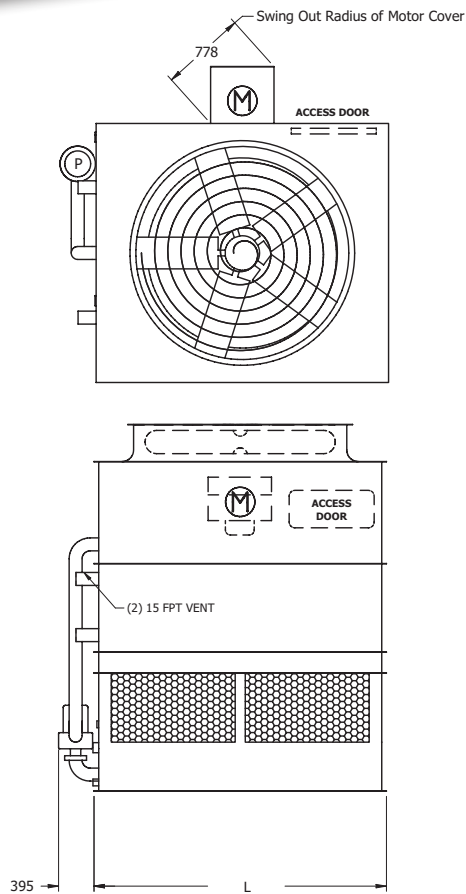
▲ Unit dimensions and coil connections may vary slightly from catalog. See factory certified prints for dimensions, quantity of coil connections, and piping configuration. Coil connections are 100 mm bevel for weld (BFW). Other connection types such as grooved for mechanical coupling or flanged are also available as options.



# Models: ATWB 9-3G8 to 9-6J8

## Closed Circuit Coolers

Selections for ATWB Closed Circuit Coolers are available from EVAPCO's evapSelect® Equipment Selection Program. Please contact your local sales representative for more information on the evapSelect® program.



**Note:** The number of coil connections doubles when the flow rate exceeds 56 l/s on ATWB 9x8 models. This required option is referred to as the High Flow coil configuration.

ATWB model number†	Weights (kg)			Fans		Spray Pump		Coil Volume (Liters)	Remote Sump <sup>Δ</sup>			Dimensions <sup>▲</sup> (mm)				
	Shipping	Heaviest Section	Operating	kW	m³/s	kW	l/s		Liters* Req'd.	Conn. Size	Operating Weight (kg)	Height H	Length L	Lower E	Upper U	Coil A
ATWB 9-3G8	3.080	Upper	4.605	4	13,7	1,5	21,4	519	835	200	4.105	3.232	2.578	1.226	2.007	495
ATWB 9-3H8	3.105	Upper	4.625	5,5	15,7	1,5	21,4	519	835	200	4.130	3.232	2.578	1.226	2.007	495
ATWB 9-3I8	3.105	Upper	4.630	7,5	17,2	1,5	21,4	519	835	200	4.130	3.232	2.578	1.226	2.007	495
ATWB 9-3J8	3.165	Upper	4.690	11	19,3	1,5	21,4	519	835	200	4.190	3.232	2.578	1.226	2.007	495
ATWB 9-4G8	3.515	Upper	5.195	4	13,3	1,5	21,4	674	835	200	4.695	3.423	2.578	1.226	2.197	686
ATWB 9-4H8	3.540	Upper	5.215	5,5	15,2	1,5	21,4	674	835	200	4.715	3.423	2.578	1.226	2.197	686
ATWB 9-4I8	3.545	Upper	5.220	7,5	16,7	1,5	21,4	674	835	200	4.720	3.423	2.578	1.226	2.197	686
ATWB 9-4J8	3.600	Upper	5.280	11	18,7	1,5	21,4	674	835	200	4.780	3.423	2.578	1.226	2.197	686
ATWB 9-5H8	4.015	Upper	5.845	5,5	14,8	1,5	21,4	829	835	200	5.350	3.613	2.578	1.226	2.388	876
ATWB 9-5I8	4.020	Upper	5.850	7,5	16,2	1,5	21,4	829	835	200	5.350	3.613	2.578	1.226	2.388	876
ATWB 9-5J8	4.080	Upper	5.910	11	18,1	1,5	21,4	829	835	200	5.410	3.613	2.578	1.226	2.388	876
ATWB 9-6H8	4.480	Upper	6.475	5,5	14,3	1,5	21,4	984	835	200	5.975	3.804	2.578	1.226	2.578	1.067
ATWB 9-6I8	4.485	Upper	6.475	7,5	15,7	1,5	21,4	984	835	200	5.980	3.804	2.578	1.226	2.578	1.067
ATWB 9-6J8	4.545	Upper	6.535	11	17,6	1,5	21,4	984	835	200	6.035	3.804	2.578	1.226	2.578	1.067

† Model Numbers end in "Z" for units with Series Flow piping configuration. 4x4 ATWB units are only available in Series Flow and will require crossover piping which can either be supplied by the factory or by others. Model numbers will include "C" for units with Stainless Steel coil(s), "R" for units with Low Sound Fan(s) and "S" for units with an option that negates CTI certification.

†† Heaviest section is the coil/fan section.

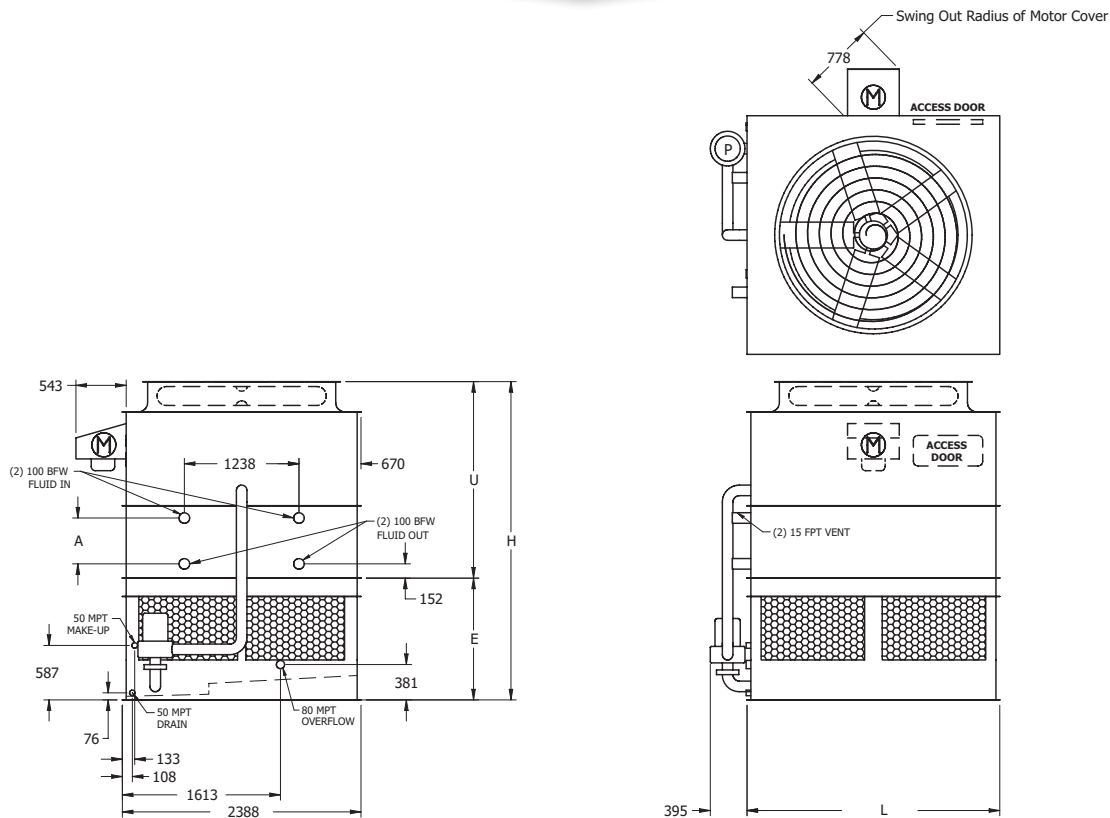
\* Liters shown is water in suspension in unit and piping. Allow for additional water in bottom of remote sump to cover pump suction and strainer during operation (300 mm would normally be sufficient).

Δ When a remote sump arrangement is selected, the spray pump, suction strainer and associated piping are omitted; the unit is provided with an oversized outlet to facilitate drainage to the remote sump.

▲ Unit dimensions and coil connections may vary slightly from catalog. See factory certified prints for dimensions, quantity of coil connections, and piping configuration. Coil connections are 100 mm bevel for weld (BFW). Other connection types such as grooved for mechanical coupling or flanged are also available as options.

# Models: ATWB 8-3G9 to 8-6K9

## Closed Circuit Coolers



**Note:** The number of coil connections doubles when the flow rate exceeds 56l/s on ATWB 9x8 models. This required option is referred to as the High Flow coil configuration.

ATWB model number†	Weights (kg)			Fans		Spray Pump		Coil Volume (Liters)	Remote Sump <sup>△</sup>			Dimensions <sup>▲</sup> (mm)				
	Shipping	Heaviest Section	Operating	kW	m <sup>3</sup> /s	kW	l/s		Liters* Req'd.	Conn. Size	Operating Weight (kg)	Height H	Length L	Lower E	Upper U	Coil A
ATWB 8-3G9	3.460	Upper	5.145	4	14,7	1,5	25,8	575	910	200	4.585	3.439	2.731	1.318	2.121	495
ATWB 8-3H9	3.485	Upper	5.165	5,5	16,8	1,5	25,8	575	910	200	4.610	3.439	2.731	1.318	2.121	495
ATWB 8-3I9	3.490	Upper	5.170	7,5	18,5	1,5	25,8	575	910	200	4.615	3.439	2.731	1.318	2.121	495
ATWB 8-3J9	3.545	Upper	5.230	11	20,7	1,5	25,8	575	910	200	4.670	3.439	2.731	1.318	2.121	495
ATWB 8-4G9	3.955	Upper	5.815	4	14,2	1,5	25,8	753	910	200	5.255	3.629	2.731	1.318	2.311	686
ATWB 8-4H9	3.980	Upper	5.840	5,5	16,3	1,5	25,8	753	910	200	5.280	3.629	2.731	1.318	2.311	686
ATWB 8-4I9	3.985	Upper	5.840	7,5	17,9	1,5	25,8	753	910	200	5.285	3.629	2.731	1.318	2.311	686
ATWB 8-4J9	4.040	Upper	5.900	11	20,1	1,5	25,8	753	910	200	5.345	3.629	2.731	1.318	2.311	686
ATWB 8-4K9	4.070	Upper	5.930	15	21,8	1,5	25,8	753	910	200	5.370	3.629	2.731	1.318	2.311	686
ATWB 8-5G9	4.480	Upper	6.520	4	13,8	1,5	25,8	927	910	200	5.960	3.820	2.731	1.318	2.502	876
ATWB 8-5H9	4.505	Upper	6.540	5,5	15,8	1,5	25,8	927	910	200	5.985	3.820	2.731	1.318	2.502	876
ATWB 8-5I9	4.510	Upper	6.545	7,5	17,4	1,5	25,8	927	910	200	5.985	3.820	2.731	1.318	2.502	876
ATWB 8-5J9	4.570	Upper	6.605	11	19,5	1,5	25,8	927	910	200	6.045	3.820	2.731	1.318	2.502	876
ATWB 8-5K9	4.595	Upper	6.630	15	21,1	1,5	25,8	927	910	200	6.075	3.820	2.731	1.318	2.502	876
ATWB 8-6G9	5.010	Upper	7.215	4	13,4	1,5	25,8	1.102	910	200	6.660	4.010	2.731	1.318	2.692	1.067
ATWB 8-6H9	5.030	Upper	7.240	5,5	15,3	1,5	25,8	1.102	910	200	6.680	4.010	2.731	1.318	2.692	1.067
ATWB 8-6I9	5.035	Upper	7.245	7,5	16,9	1,5	25,8	1.102	910	200	6.685	4.010	2.731	1.318	2.692	1.067
ATWB 8-6J9	5.095	Upper	7.305	11	18,9	1,5	25,8	1.102	910	200	6.745	4.010	2.731	1.318	2.692	1.067
ATWB 8-6K9	5.120	Upper	7.330	15	20,5	1,5	25,8	1.102	910	200	6.770	4.010	2.731	1.318	2.692	1.067

† Model Numbers end in "-Z" for units with Series Flow piping configuration. 4x4 ATWB units are only available in Series Flow and will require crossover piping which can either be supplied by the factory or by others. Model numbers will include "C" for units with Stainless Steel coil(s), "R" for units with Low Sound Fan(s) and "S" for units with an option that negates CTI certification.

†† Heaviest section is the coil/fan section.

\* Liters shown is water in suspension in unit and piping. Allow for additional water in bottom of remote sump to cover pump suction and strainer during operation (300 mm would normally be sufficient).

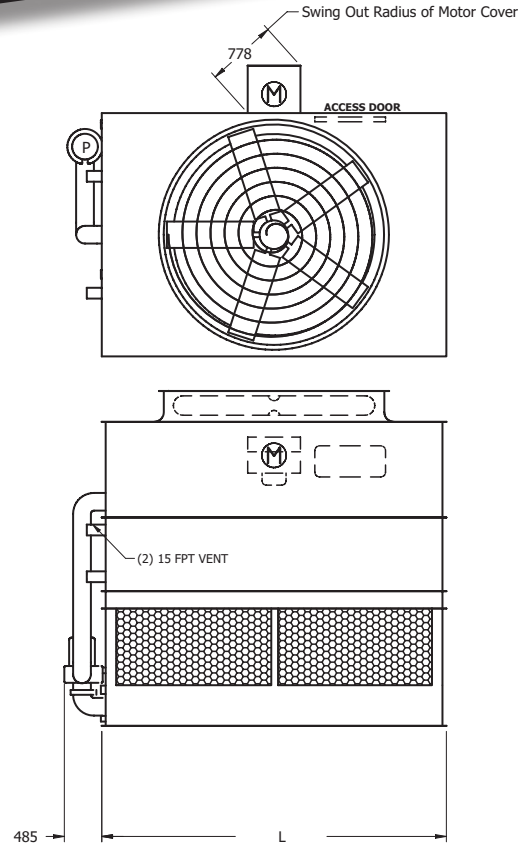
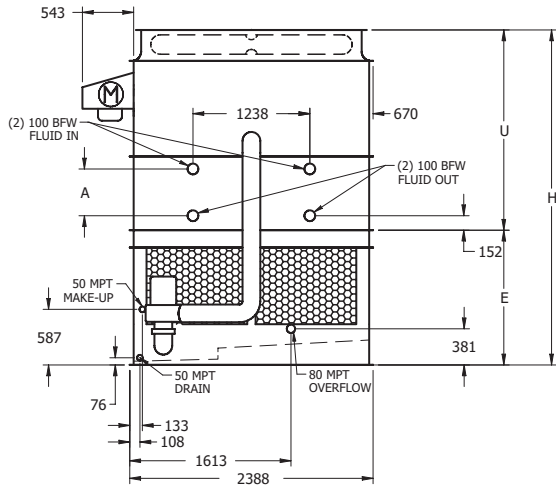
△ When a remote sump arrangement is selected, the spray pump, suction strainer and associated piping are omitted; the unit is provided with an oversized outlet to facilitate drainage to the remote sump.

▲ Unit dimensions and coil connections may vary slightly from catalog. See factory certified prints for dimensions, quantity of coil connections, and piping configuration. Coil connections are 100 mm bevel for weld (BFW). Other connection types such as grooved for mechanical coupling or flanged are also available as options.

# Models: ATWB 8-3H11 to 8-6K11

## Closed Circuit Coolers

Selections for ATWB Closed Circuit Coolers are available from EVAPCO's evapSelect® Equipment Selection Program. Please contact your local sales representative for more information on the evapSelect® program.



**Note:** The number of coil connections doubles when the flow rate exceeds 56 l/s on ATWB 2,4 m x 10,5 models. This required option is referred to as the High Flow coil configuration.

ATWB model number†	Weights (kg)			Fans		Spray Pump		Coil Volume (Liters)	Remote Sump <sup>△</sup>			Dimensions <sup>▲</sup> (mm)				
	Shipping	Heaviest Section	Operating	kW	m <sup>3</sup> /s	kW	l/s		Liters* Req'd.	Conn. Size	Operating Weight (kg)	Height H	Length L	Lower E	Upper U	Coil A
ATWB 8-3H11	4.010	Upper	5.985	5,5	18,6	2,2	31,5	666	1.060	250	5.330	3.439	3.188	1.318	2.121	495
ATWB 8-3I11	4.020	Upper	5.995	7,5	20,5	2,2	31,5	666	1.060	250	5.340	3.439	3.188	1.318	2.121	495
ATWB 8-3J11	4.075	Upper	6.050	11	23,1	2,2	31,5	666	1.060	250	5.395	3.439	3.188	1.318	2.121	495
ATWB 8-3K11	4.100	Upper	6.080	15	25,1	2,2	31,5	666	1.060	250	5.420	3.439	3.188	1.318	2.121	495
ATWB 8-4H11	4.580	Upper	6.765	5,5	18,1	2,2	31,5	871	1.060	250	6.105	3.629	3.188	1.318	2.311	686
ATWB 8-4I11	4.590	Upper	6.770	7,5	19,9	2,2	31,5	871	1.060	250	6.115	3.629	3.188	1.318	2.311	686
ATWB 8-4J11	4.645	Upper	6.825	11	22,5	2,2	31,5	871	1.060	250	6.170	3.629	3.188	1.318	2.311	686
ATWB 8-4K11	4.670	Upper	6.855	15	24,4	2,2	31,5	871	1.060	250	6.195	3.629	3.188	1.318	2.311	686
ATWB 8-5H11	5.200	Upper	7.590	5,5	17,5	2,2	31,5	1.079	1.060	250	6.930	3.820	3.188	1.318	2.502	876
ATWB 8-5I11	5.205	Upper	7.600	7,5	19,3	2,2	31,5	1.079	1.060	250	6.940	3.820	3.188	1.318	2.502	876
ATWB 8-5J11	5.260	Upper	7.650	11	21,8	2,2	31,5	1.079	1.060	250	6.995	3.820	3.188	1.318	2.502	876
ATWB 8-5K11	5.290	Upper	7.680	15	23,6	2,2	31,5	1.079	1.060	250	7.020	3.820	3.188	1.318	2.502	876
ATWB 8-6H11	5.805	Upper	8.400	5,5	17,0	2,2	31,5	1.283	1.060	250	7.745	4.010	3.188	1.318	2.692	1.067
ATWB 8-6I11	5.815	Upper	8.410	7,5	18,7	2,2	31,5	1.283	1.060	250	7.750	4.010	3.188	1.318	2.692	1.067
ATWB 8-6J11	5.870	Upper	8.465	11	21,1	2,2	31,5	1.283	1.060	250	7.805	4.010	3.188	1.318	2.692	1.067
ATWB 8-6K11	5.895	Upper	8.490	15	22,9	2,2	31,5	1.283	1.060	250	7.835	4.010	3.188	1.318	2.692	1.067

† Model Numbers end in "-Z" for units with Series Flow piping configuration. 4x4 ATWB units are only available in Series Flow and will require crossover piping which can either be supplied by the factory or by others. Model numbers will include "C" for units with Stainless Steel coil(s), "R" for units with Low Sound Fan(s) and "S" for units with an option that negates CTI certification.

†† Heaviest section is the coil/fan section.

\* Liters shown is water in suspension in unit and piping. Allow for additional water in bottom of remote sump to cover pump suction and strainer during operation (300 mm would normally be sufficient).

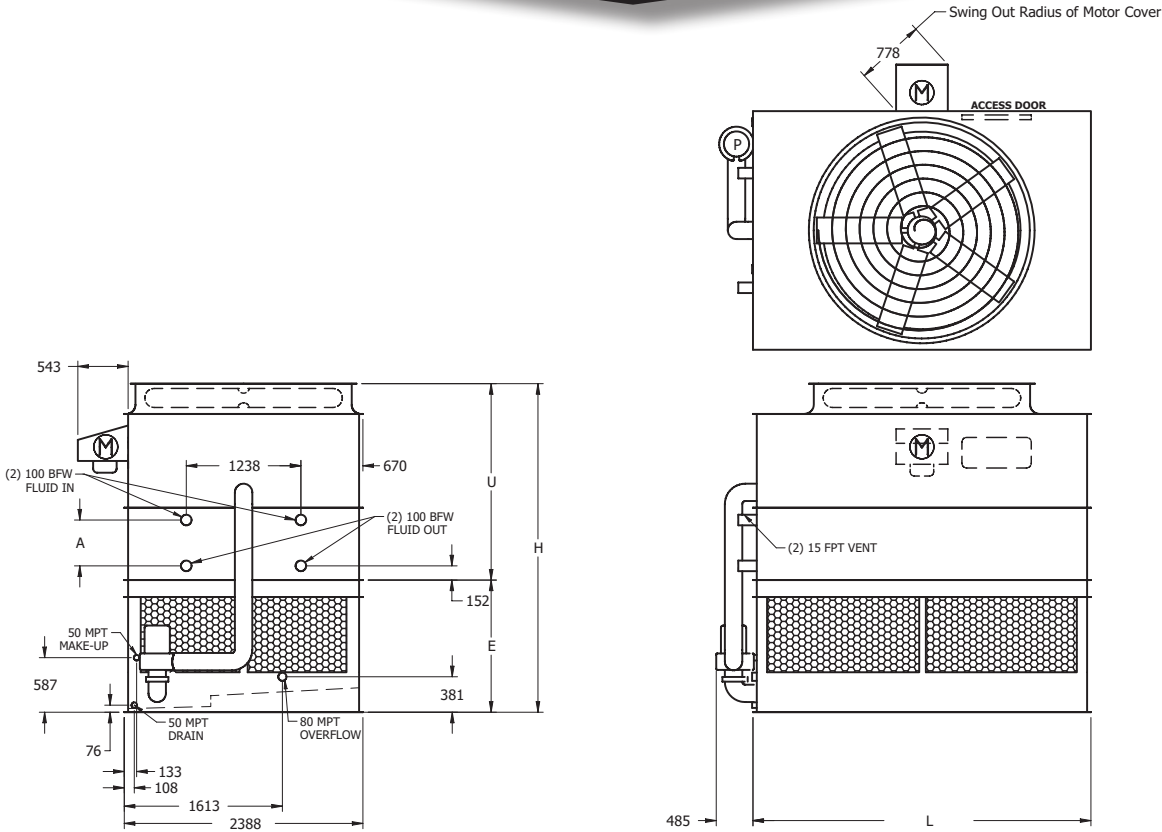
△ When a remote sump arrangement is selected, the spray pump, suction strainer and associated piping are omitted; the unit is provided with an oversized outlet to facilitate drainage to the remote sump.

▲ Unit dimensions and coil connections may vary slightly from catalog. See factory certified prints for dimensions, quantity of coil connections, and piping configuration. Coil connections are 100 mm bevel for weld (BFW). Other connection types such as grooved for mechanical coupling or flanged are also available as options.



# Models: ATWB 8-3H12 to 8-6L12

## Closed Circuit Coolers



**Note:** The number of coil connections doubles when the flow rate exceeds 56 l/s on ATWB 2.4 m x 12 models. This required option is referred to as the High Flow coil configuration.

ATWB model number†	Weights (kg)			Fans		Spray Pump		Coil Volume (Liters)	Remote Sump <sup>△</sup>			Dimensions <sup>▲</sup> (mm)				
	Shipping	Heaviest Section	Operating	kW	m <sup>3</sup> /s	kW	l/s		Liters* Req'd.	Conn. Size	Operating Weight (kg)	Height H	Length L	Lower E	Upper U	Coil A
ATWB 8-3H12	4.325	Upper	6.620	5,5	20,4	2,2	34,7	757	1.210	250	5.885	3.439	3.651	1.318	2.121	495
ATWB 8-3I12	4.335	Upper	6.630	7,5	22,4	2,2	34,7	757	1.210	250	5.890	3.439	3.651	1.318	2.121	495
ATWB 8-3J12	4.390	Upper	6.685	11	25,5	2,2	34,7	757	1.210	250	5.945	3.439	3.651	1.318	2.121	495
ATWB 8-3K12	4.420	Upper	6.715	15	27,7	2,2	34,7	757	1.210	250	5.975	3.439	3.651	1.318	2.121	495
ATWB 8-4H12	4.995	Upper	7.525	5,5	19,8	2,2	34,7	992	1.210	250	6.785	3.629	3.651	1.318	2.311	686
ATWB 8-4I12	5.005	Upper	7.535	7,5	21,8	2,2	34,7	992	1.210	250	6.795	3.629	3.651	1.318	2.311	686
ATWB 8-4J12	5.060	Upper	7.590	11	24,8	2,2	34,7	992	1.210	250	6.850	3.629	3.651	1.318	2.311	686
ATWB 8-4K12	5.085	Upper	7.615	15	26,9	2,2	34,7	992	1.210	250	6.875	3.629	3.651	1.318	2.311	686
ATWB 8-4L12	5.100	Upper	7.630	18,5	28,6	2,2	34,7	992	1.210	250	6.890	3.629	3.651	1.318	2.311	686
ATWB 8-5H12	5.660	Upper	8.430	5,5	19,2	2,2	34,7	1.226	1.210	250	7.690	3.820	3.651	1.318	2.502	876
ATWB 8-5I12	5.670	Upper	8.435	7,5	21,1	2,2	34,7	1.226	1.210	250	7.695	3.820	3.651	1.318	2.502	876
ATWB 8-5J12	5.725	Upper	8.490	11	24,0	2,2	34,7	1.226	1.210	250	7.750	3.820	3.651	1.318	2.502	876
ATWB 8-5K12	5.750	Upper	8.520	15	26,0	2,2	34,7	1.226	1.210	250	7.780	3.820	3.651	1.318	2.502	876
ATWB 8-5L12	5.765	Upper	8.530	18,5	27,7	2,2	34,7	1.226	1.210	250	7.795	3.820	3.651	1.318	2.502	876
ATWB 8-6H12	6.365	Upper	9.365	5,5	18,6	2,2	34,7	1.465	1.210	250	8.625	4.010	3.651	1.318	2.692	1.067
ATWB 8-6I12	6.375	Upper	9.375	7,5	20,5	2,2	34,7	1.465	1.210	250	8.635	4.010	3.651	1.318	2.692	1.067
ATWB 8-6J12	6.425	Upper	9.430	11	23,3	2,2	34,7	1.465	1.210	250	8.690	4.010	3.651	1.318	2.692	1.067
ATWB 8-6K12	6.455	Upper	9.455	15	25,2	2,2	34,7	1.465	1.210	250	8.720	4.010	3.651	1.318	2.692	1.067
ATWB 8-6L12	6.470	Upper	9.470	18,5	26,9	2,2	34,7	1.465	1.210	250	8.730	4.010	3.651	1.318	2.692	1.067

† Model Numbers end in "-Z" for units with Series Flow piping configuration. 4x4 ATWB units are only available in Series Flow and will require crossover piping which can either be supplied by the factory or by others. Model numbers will include "C" for units with Stainless Steel coil(s), "R" for units with Low Sound Fan(s) and "S" for units with an option that negates CTI certification.

†† Heaviest section is the coil/fan section.

\* Liters shown is water in suspension in unit and piping. Allow for additional water in bottom of remote sump to cover pump suction and strainer during operation (300 mm would normally be sufficient).

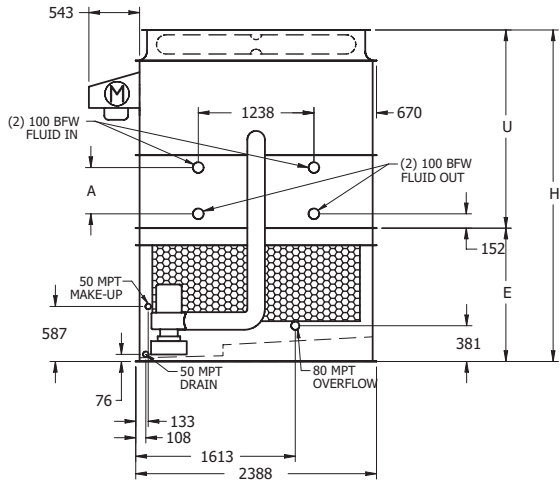
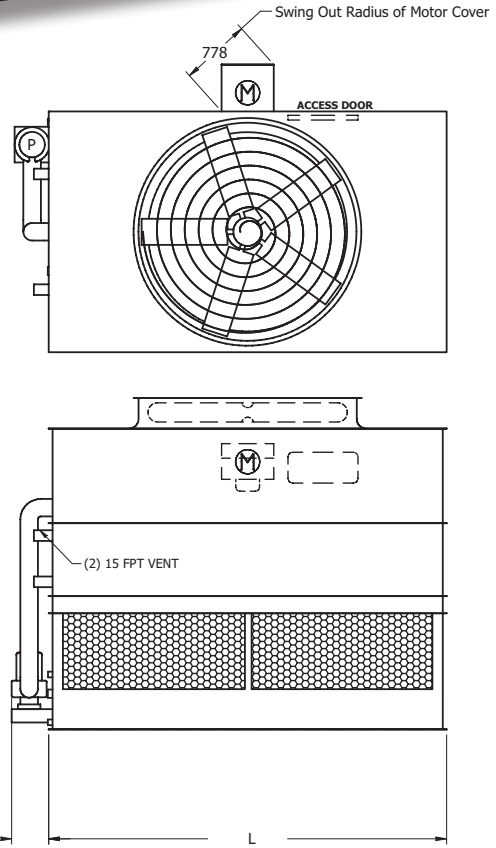
△ When a remote sump arrangement is selected, the spray pump, suction strainer and associated piping are omitted; the unit is provided with an oversized outlet to facilitate drainage to the remote sump.

▲ Unit dimensions and coil connections may vary slightly from catalog. See factory certified prints for dimensions, quantity of coil connections, and piping configuration. Coil connections are 100 mm bevel for weld (BFW). Other connection types such as grooved for mechanical coupling or flanged are also available as options.

# Models: ATWB 8-3I14 to 8-6M14

## Closed Circuit Coolers

Selections for ATWB Closed Circuit Coolers are available from EVAPCO's evapSelect® Equipment Selection Program. Please contact your local sales representative for more information on the evapSelect® program.



**Note:** The number of coil connections doubles when the flow rate exceeds 56 l/s on ATWB 2.4 m x 14 models. This required option is referred to as the High Flow coil configuration.

ATWB model number†	Weights (kg)			Fans		Spray Pump		Coil Volume (Liters)	Remote Sump <sup>△</sup>			Dimensions <sup>▲</sup> (mm)				
	Shipping	Heaviest Section	Operating	kW	m <sup>3</sup> /s	kW	l/s		Liters* Req'd.	Conn. Size	Operating Weight (kg)	Height H	Length L	Lower E	Upper U	Coil A
ATWB 8-3I14	4.890	Upper	7.555	7,5	24,9	4	41,0	878	1.365	250	6.710	3.550	4.261	1.429	2.121	495
ATWB 8-3J14	4.945	Upper	7.610	11	28,5	4	41,0	878	1.365	250	6.765	3.550	4.261	1.429	2.121	495
ATWB 8-3K14	4.970	Upper	7.640	15	30,9	4	41,0	878	1.365	250	6.790	3.550	4.261	1.429	2.121	495
ATWB 8-3L14	4.985	Upper	7.650	18,5	32,9	4	41,0	878	1.365	250	6.805	3.550	4.261	1.429	2.121	495
ATWB 8-4I14	5.660	Upper	8.605	7,5	24,1	4	41,0	1.155	1.365	250	7.755	3.740	4.261	1.429	2.311	686
ATWB 8-4J14	5.715	Upper	8.660	11	27,6	4	41,0	1.155	1.365	250	7.810	3.740	4.261	1.429	2.311	686
ATWB 8-4K14	5.740	Upper	8.685	15	30,0	4	41,0	1.155	1.365	250	7.840	3.740	4.261	1.429	2.311	686
ATWB 8-4L14	5.755	Upper	8.700	18,5	32,0	4	41,0	1.155	1.365	250	7.850	3.740	4.261	1.429	2.311	686
ATWB 8-4M14	5.780	Upper	8.725	22	33,6	4	41,0	1.155	1.365	250	7.875	3.740	4.261	1.429	2.311	686
ATWB 8-5I14	6.430	Upper	9.650	7,5	23,4	4	41,0	1.427	1.365	250	8.805	3.931	4.261	1.429	2.502	876
ATWB 8-5J14	6.485	Upper	9.705	11	26,8	4	41,0	1.427	1.365	250	8.860	3.931	4.261	1.429	2.502	876
ATWB 8-5K14	6.515	Upper	9.735	15	29,1	4	41,0	1.427	1.365	250	8.885	3.931	4.261	1.429	2.502	876
ATWB 8-5L14	6.525	Upper	9.750	18,5	31,0	4	41,0	1.427	1.365	250	8.900	3.931	4.261	1.429	2.502	876
ATWB 8-5M14	6.550	Upper	9.770	22	32,6	4	41,0	1.427	1.365	250	8.920	3.931	4.261	1.429	2.502	876
ATWB 8-6I14	7.245	Upper	10.735	7,5	22,7	4	41,0	1.703	1.365	250	9.890	4.121	4.261	1.429	2.692	1.067
ATWB 8-6J14	7.300	Upper	10.790	11	26,0	4	41,0	1.703	1.365	250	9.945	4.121	4.261	1.429	2.692	1.067
ATWB 8-6K14	7.325	Upper	10.820	15	28,2	4	41,0	1.703	1.365	250	9.970	4.121	4.261	1.429	2.692	1.067
ATWB 8-6L14	7.340	Upper	10.830	18,5	30,0	4	41,0	1.703	1.365	250	9.985	4.121	4.261	1.429	2.692	1.067
ATWB 8-6M14	7.360	Upper	10.855	22	31,6	4	41,0	1.703	1.365	250	10.005	4.121	4.261	1.429	2.692	1.067

† Model Numbers end in "-Z" for units with Series Flow piping configuration. 4x4 ATWB units are only available in Series Flow and will require crossover piping which can either be supplied by the factory or by others. Model numbers will include "C" for units with Stainless Steel coil(s), "R" for units with Low Sound Fan(s) and "S" for units with an option that negates CTI certification.

†† Heaviest section is the coil/fan section.

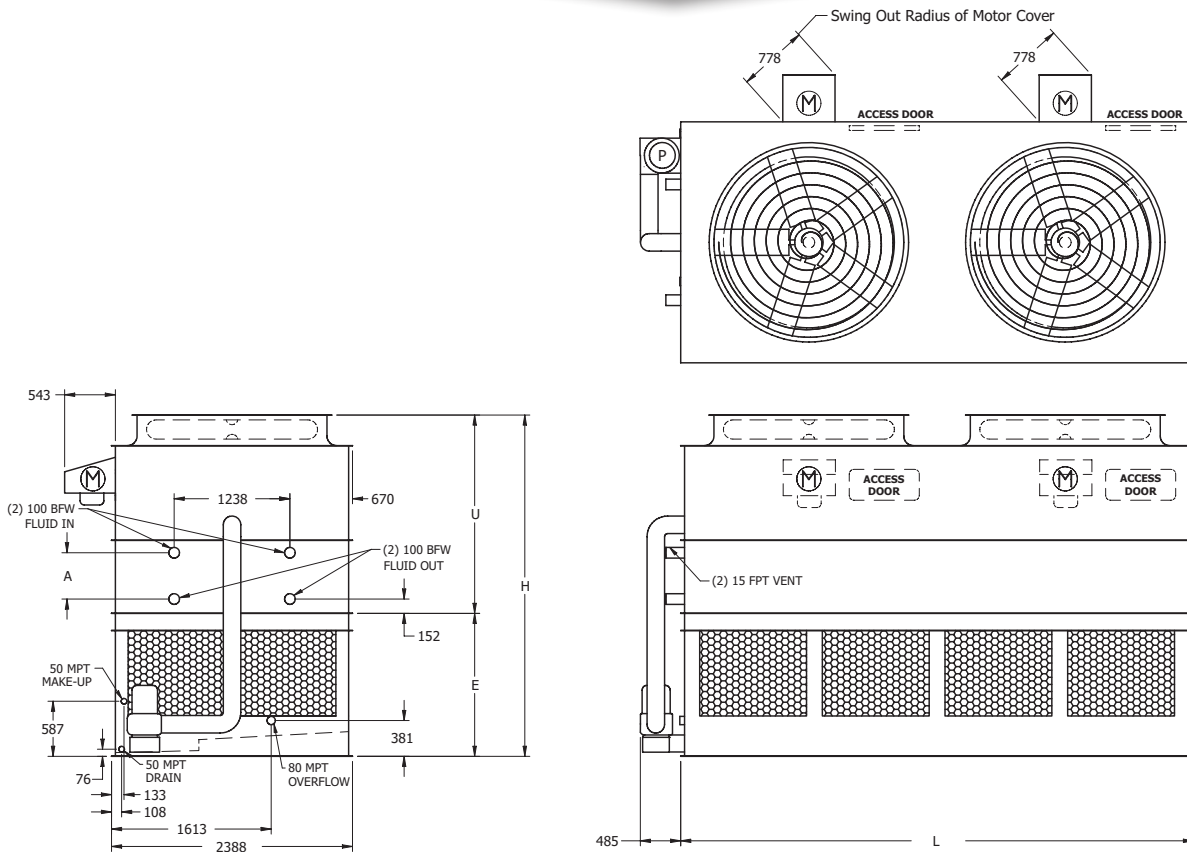
\* Liters shown is water in suspension in unit and piping. Allow for additional water in bottom of remote sump to cover pump suction and strainer during operation (300 mm would normally be sufficient).

△ When a remote sump arrangement is selected, the spray pump, suction strainer and associated piping are omitted; the unit is provided with an oversized outlet to facilitate drainage to the remote sump.

▲ Unit dimensions and coil connections may vary slightly from catalog. See factory certified prints for dimensions, quantity of coil connections, and piping configuration. Coil connections are 100 mm bevel for weld (BFW). Other connection types such as grooved for mechanical coupling or flanged are also available as options.

# Models: ATWB 8-3G18 to 8-6K18

## Closed Circuit Coolers



**Note:** The number of coil connections doubles when the flow rate exceeds 56 l/s on ATWB 2,4 m x 18 models. This required option is referred to as the High Flow coil configuration.

ATWB model number†	Weights (kg)			Fans		Spray Pump		Coil Volume (Liters)	Remote Sump <sup>△</sup>			Dimensions <sup>▲</sup> (mm)				
	Shipping	Heaviest Section	Operating	kW	m <sup>3</sup> /s	kW	l/s		Liters* Req'd.	Conn. Size	Operating Weight (kg)	Height H	Length L	Lower E	Upper U	Coil A
ATWB 8-3G18	6.570	Upper	10.015	4	29,3	4	50,4	1.117	1.815	300	8.915	3.651	5.486	1.530	2.121	495
ATWB 8-3H18	6.615	Upper	10.060	5,5	33,6	4	50,4	1.117	1.815	300	8.960	3.651	5.486	1.530	2.121	495
ATWB 8-3I18	6.625	Upper	10.075	7,5	37,0	4	50,4	1.117	1.815	300	8.970	3.651	5.486	1.530	2.121	495
ATWB 8-3J18	6.740	Upper	10.190	11	41,4	4	50,4	1.117	1.815	300	9.085	3.651	5.486	1.530	2.121	495
ATWB 8-4G18	7.575	Upper	11.380	4	28,5	4	50,4	1.473	1.815	300	10.280	3.842	5.486	1.530	2.311	686
ATWB 8-4H18	7.620	Upper	11.425	5,5	32,6	4	50,4	1.473	1.815	300	10.325	3.842	5.486	1.530	2.311	686
ATWB 8-4I18	7.635	Upper	11.440	7,5	35,9	4	50,4	1.473	1.815	300	10.335	3.842	5.486	1.530	2.311	686
ATWB 8-4J18	7.745	Upper	11.555	11	40,2	4	50,4	1.473	1.815	300	10.450	3.842	5.486	1.530	2.311	686
ATWB 8-4K18	7.800	Upper	11.605	15	43,6	4	50,4	1.473	1.815	300	10.505	3.842	5.486	1.530	2.311	686
ATWB 8-5G18	8.560	Upper	12.720	4	27,6	4	50,4	1.828	1.815	300	11.615	4.032	5.486	1.530	2.502	876
ATWB 8-5H18	8.605	Upper	12.765	5,5	31,6	4	50,4	1.828	1.815	300	11.660	4.032	5.486	1.530	2.502	876
ATWB 8-5I18	8.620	Upper	12.780	7,5	34,8	4	50,4	1.828	1.815	300	11.675	4.032	5.486	1.530	2.502	876
ATWB 8-5J18	8.730	Upper	12.890	11	39,0	4	50,4	1.828	1.815	300	11.790	4.032	5.486	1.530	2.502	876
ATWB 8-5K18	8.785	Upper	12.945	15	42,3	4	50,4	1.828	1.815	300	11.845	4.032	5.486	1.530	2.502	876
ATWB 8-6G18	9.615	Upper	14.130	4	26,8	4	50,4	2.184	1.815	300	13.025	4.223	5.486	1.530	2.692	1.067
ATWB 8-6H18	9.660	Upper	14.175	5,5	30,6	4	50,4	2.184	1.815	300	13.075	4.223	5.486	1.530	2.692	1.067
ATWB 8-6I18	9.675	Upper	14.190	7,5	33,7	4	50,4	2.184	1.815	300	13.085	4.223	5.486	1.530	2.692	1.067
ATWB 8-6J18	9.790	Upper	14.300	11	37,8	4	50,4	2.184	1.815	300	13.200	4.223	5.486	1.530	2.692	1.067
ATWB 8-6K18	9.845	Upper	14.355	15	40,9	4	50,4	2.184	1.815	300	13.255	4.223	5.486	1.530	2.692	1.067

† Model Numbers end in "-Z" for units with Series Flow piping configuration. 4x4 ATWB units are only available in Series Flow and will require crossover piping which can either be supplied by the factory or by others. Model numbers will include "C" for units with Stainless Steel coil(s), "R" for units with Low Sound Fan(s) and "S" for units with an option that negates CTI certification.

†† Heaviest section is the coil/fan section.

\* Liters shown is water in suspension in unit and piping. Allow for additional water in bottom of remote sump to cover pump suction and strainer during operation (300 mm would normally be sufficient).

△ When a remote sump arrangement is selected, the spray pump, suction strainer and associated piping are omitted; the unit is provided with an oversized outlet to facilitate drainage to the remote sump.

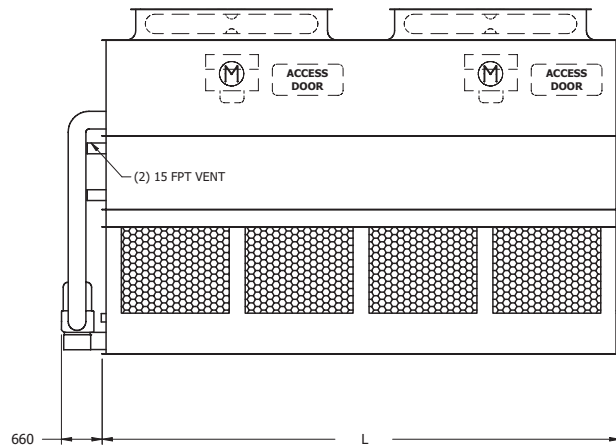
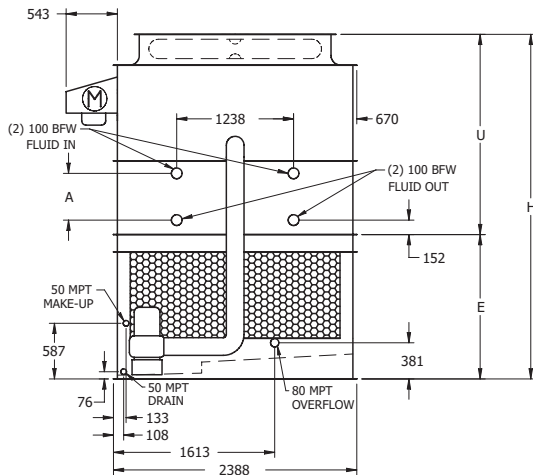
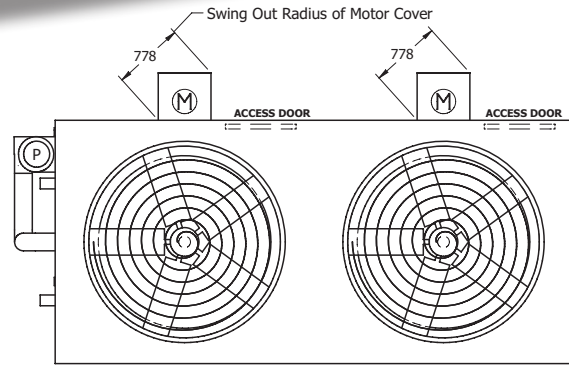
▲ Unit dimensions and coil connections may vary slightly from catalog. See factory certified prints for dimensions, quantity of coil connections, and piping configuration. Coil connections are 100 mm bevel for weld (BFW). Other connection types such as grooved for mechanical coupling or flanged are also available as options.



# Models: ATWB 8-3H21 to 8-6K21

## Closed Circuit Coolers

Selections for ATWB Closed Circuit Coolers are available from EVAPCO's evapSelect® Equipment Selection Program. Please contact your local sales representative for more information on the evapSelect® program.



**Note:** The number of coil connections doubles when the flow rate exceeds 56 l/s on ATWB 2,4 m x 21 models. This required option is referred to as the High Flow coil configuration.

ATWB model number†	Weights (kg)			Fans		Spray Pump		Coil Volume (Liters)	Remote Sump <sup>△</sup>			Dimensions <sup>▲</sup> (mm)				
	Shipping	Heaviest Section	Operating	kW	m <sup>3</sup> /s	kW	l/s		Liters* Req'd.	Conn. Size	Operating Weight (kg)	Height H	Length L	Lower E	Upper U	Coil A
ATWB 8-3H21	7.490	Upper	11.555	5,5	37,3	5,5	66,2	1.298	2.120	300	10.265	3.651	6.401	1.530	2.121	495
ATWB 8-3I21	7.500	Upper	11.565	7,5	41,1	5,5	66,2	1.298	2.120	300	10.280	3.651	6.401	1.530	2.121	495
ATWB 8-3J21	7.615	Upper	11.680	11	46,4	5,5	66,2	1.298	2.120	300	10.390	3.651	6.401	1.530	2.121	495
ATWB 8-3K21	7.670	Upper	11.735	15	50,3	5,5	66,2	1.298	2.120	300	10.445	3.651	6.401	1.530	2.121	495
ATWB 8-4H21	8.655	Upper	13.135	5,5	36,2	5,5	66,2	1.715	2.120	300	11.850	3.842	6.401	1.530	2.311	686
ATWB 8-4I21	8.670	Upper	13.150	7,5	39,9	5,5	66,2	1.715	2.120	300	11.860	3.842	6.401	1.530	2.311	686
ATWB 8-4J21	8.780	Upper	13.265	11	45,1	5,5	66,2	1.715	2.120	300	11.975	3.842	6.401	1.530	2.311	686
ATWB 8-4K21	8.835	Upper	13.315	15	48,9	5,5	66,2	1.715	2.120	300	12.030	3.842	6.401	1.530	2.311	686
ATWB 8-5H21	9.795	Upper	14.685	5,5	35,2	5,5	66,2	2.127	2.120	300	13.400	4.032	6.401	1.530	2.502	876
ATWB 8-5I21	9.805	Upper	14.700	7,5	38,7	5,5	66,2	2.127	2.120	300	13.415	4.032	6.401	1.530	2.502	876
ATWB 8-5J21	9.920	Upper	14.815	11	43,7	5,5	66,2	2.127	2.120	300	13.525	4.032	6.401	1.530	2.502	876
ATWB 8-5K21	9.975	Upper	14.870	15	47,4	5,5	66,2	2.127	2.120	300	13.580	4.032	6.401	1.530	2.502	876
ATWB 8-6H21	11.010	Upper	16.320	5,5	34,1	5,5	66,2	2.544	2.120	300	15.030	4.223	6.401	1.530	2.692	1.067
ATWB 8-6I21	11.020	Upper	16.335	7,5	37,5	5,5	66,2	2.544	2.120	300	15.045	4.223	6.401	1.530	2.692	1.067
ATWB 8-6J21	11.135	Upper	16.445	11	42,4	5,5	66,2	2.544	2.120	300	15.160	4.223	6.401	1.530	2.692	1.067
ATWB 8-6K21	11.190	Upper	16.500	15	45,9	5,5	66,2	2.544	2.120	300	15.215	4.223	6.401	1.530	2.692	1.067

† Model Numbers end in "-Z" for units with Series Flow piping configuration. 4x4 ATWB units are only available in Series Flow and will require crossover piping which can either be supplied by the factory or by others. Model numbers will include "C" for units with Stainless Steel coil(s), "R" for units with Low Sound Fan(s) and "S" for units with an option that negates CTI certification.

†† Heaviest section is the coil/fan section.

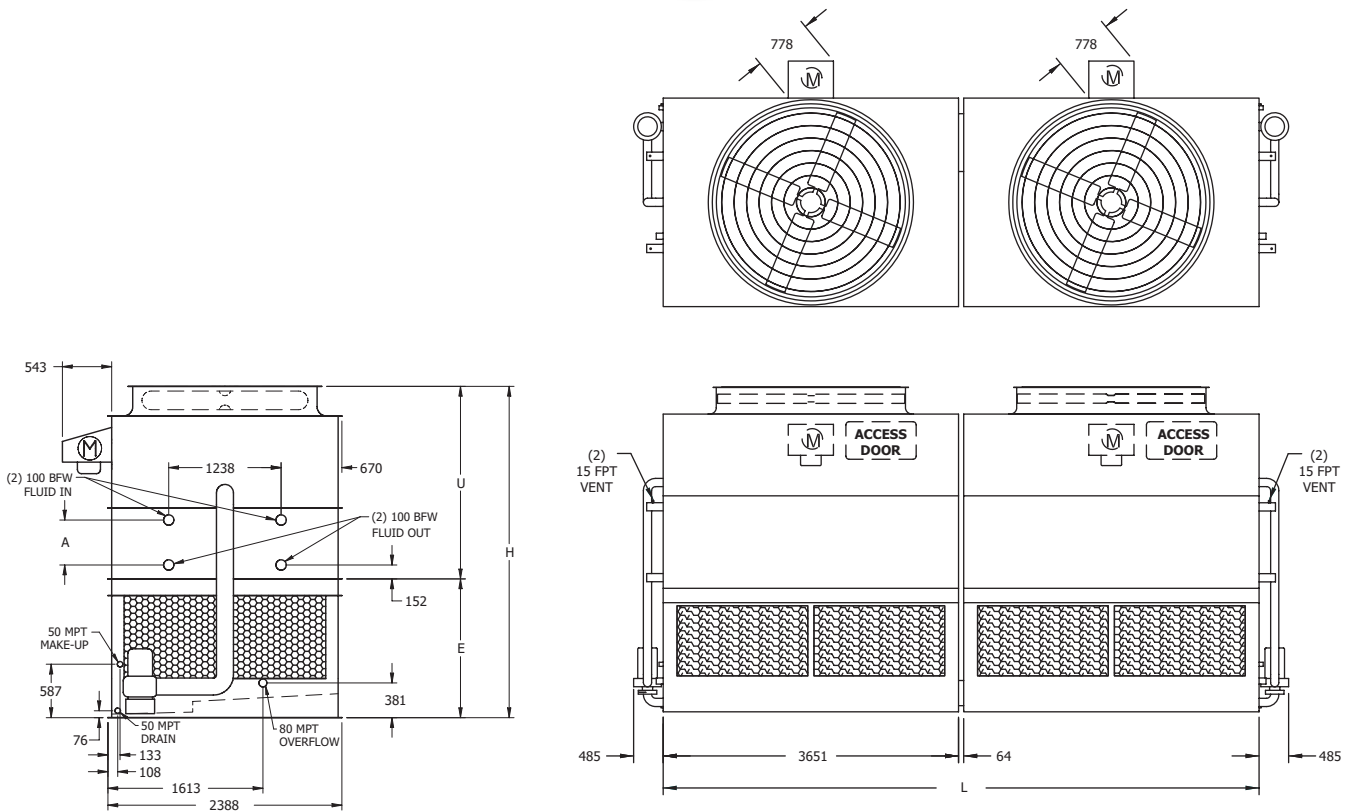
\* Liters shown is water in suspension in unit and piping. Allow for additional water in bottom of remote sump to cover pump suction and strainer during operation (300 mm would normally be sufficient).

△ When a remote sump arrangement is selected, the spray pump, suction strainer and associated piping are omitted; the unit is provided with an oversized outlet to facilitate drainage to the remote sump.

▲ Unit dimensions and coil connections may vary slightly from catalog. See factory certified prints for dimensions, quantity of coil connections, and piping configuration. Coil connections are 100 mm bevel for weld (BFW). Other connection types such as grooved for mechanical coupling or flanged are also available as options.

# Models: ATWB 8-3H24 to 8-6L24

## Closed Circuit Coolers



**Note:** The number of coil connections doubles when the flow rate exceeds 112 l/s on ATWB 2.4 m x 24 models. This required option is referred to as the High Flow coil configuration.

ATWB model number†	Weights (kg)			Fans		Spray Pump		Coil Volume (Liters)	Remote Sump <sup>△</sup>			Dimensions <sup>▲</sup> (mm)				
	Shipping	Heaviest Section	Operating	kW	m <sup>3</sup> /s	kW	l/s		Liters* Req'd.	Conn. Size	Operating Weight (kg)	Height H	Length L	Lower E	Upper U	Coil A
ATWB 8-3H24	8.655	Upper	13.245	5,5	40,8	2,2	34,7	1.514	2.425	250	11.765	3.651	7.366	1.530	2.121	495
ATWB 8-3I24	8.675	Upper	13.265	7,5	44,9	2,2	34,7	1.514	2.425	250	11.785	3.651	7.366	1.530	2.121	495
ATWB 8-3J24	8.780	Upper	13.370	11	51,0	2,2	34,7	1.514	2.425	250	11.895	3.651	7.366	1.530	2.121	495
ATWB 8-3K24	8.835	Upper	13.425	15	55,3	2,2	34,7	1.514	2.425	250	11.950	3.651	7.366	1.530	2.121	495
ATWB 8-4H24	9.990	Upper	15.050	5,5	39,6	2,2	34,7	1.984	2.425	250	13.570	3.842	7.366	1.530	2.311	686
ATWB 8-4I24	10.005	Upper	15.070	7,5	43,6	2,2	34,7	1.984	2.425	250	13.590	3.842	7.366	1.530	2.311	686
ATWB 8-4J24	10.115	Upper	15.175	11	49,5	2,2	34,7	1.984	2.425	250	13.700	3.842	7.366	1.530	2.311	686
ATWB 8-4K24	10.170	Upper	15.230	15	53,7	2,2	34,7	1.984	2.425	250	13.755	3.842	7.366	1.530	2.311	686
ATWB 8-4L24	10.195	Upper	15.260	18,5	57,2	2,2	34,7	1.984	2.425	250	13.780	3.842	7.366	1.530	2.311	686
ATWB 8-5H24	11.320	Upper	16.855	5,5	38,4	2,2	34,7	2.453	2.425	250	15.375	4.032	7.366	1.530	2.502	876
ATWB 8-5I24	11.340	Upper	16.875	7,5	42,2	2,2	34,7	2.453	2.425	250	15.395	4.032	7.366	1.530	2.502	876
ATWB 8-5J24	11.450	Upper	16.980	11	48,1	2,2	34,7	2.453	2.425	250	15.505	4.032	7.366	1.530	2.502	876
ATWB 8-5K24	11.505	Upper	17.035	15	52,1	2,2	34,7	2.453	2.425	250	15.560	4.032	7.366	1.530	2.502	876
ATWB 8-5L24	11.530	Upper	17.065	18,5	55,5	2,2	34,7	2.453	2.425	250	15.585	4.032	7.366	1.530	2.502	876
ATWB 8-6H24	12.730	Upper	18.735	5,5	37,2	2,2	34,7	2.926	2.425	250	17.255	4.223	7.366	1.530	2.692	1.067
ATWB 8-6I24	12.745	Upper	18.750	7,5	40,9	2,2	34,7	2.926	2.425	250	17.275	4.223	7.366	1.530	2.692	1.067
ATWB 8-6J24	12.855	Upper	18.860	11	46,6	2,2	34,7	2.926	2.425	250	17.380	4.223	7.366	1.530	2.692	1.067
ATWB 8-6K24	12.910	Upper	18.915	15	50,5	2,2	34,7	2.926	2.425	250	17.435	4.223	7.366	1.530	2.692	1.067
ATWB 8-6L24	12.935	Upper	18.940	18,5	53,7	2,2	34,7	2.926	2.425	250	17.465	4.223	7.366	1.530	2.692	1.067

† Model Numbers end in "-Z" for units with Series Flow piping configuration. 4x4 ATWB units are only available in Series Flow and will require crossover piping which can either be supplied by the factory or by others. Model numbers will include "C" for units with Stainless Steel coil(s), "R" for units with Low Sound Fan(s) and "S" for units with an option that negates CTI certification.

†† Heaviest section is the coil/fan section.

\* Liters shown is water in suspension in unit and piping. Allow for additional water in bottom of remote sump to cover pump suction and strainer during operation (300 mm would normally be sufficient).

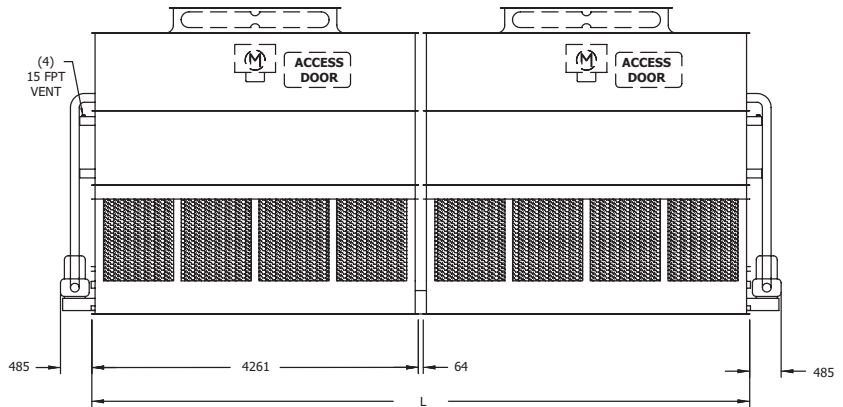
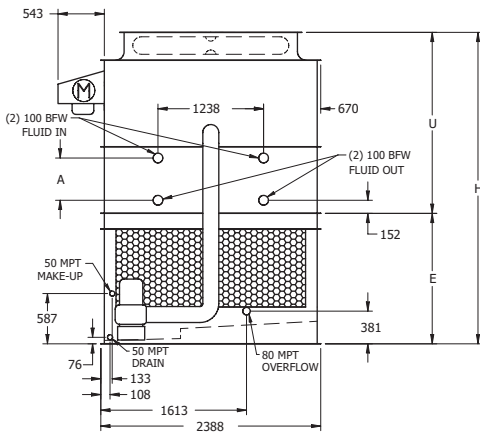
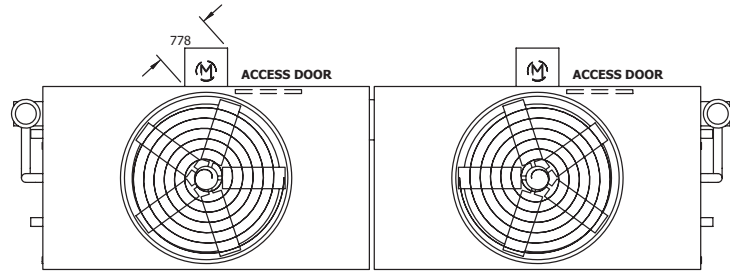
△ When a remote sump arrangement is selected, the spray pump, suction strainer and associated piping are omitted; the unit is provided with an oversized outlet to facilitate drainage to the remote sump.

▲ Unit dimensions and coil connections may vary slightly from catalog. See factory certified prints for dimensions, quantity of coil connections, and piping configuration. Coil connections are 100 mm bevel for weld (BFW). Other connection types such as grooved for mechanical coupling or flanged are also available as options.

# Models: ATWB 8-3I28 to 8-6M28

## Closed Circuit Coolers

Selections for ATWB Closed Circuit Coolers are available from EVAPCO's evapSelect® Equipment Selection Program. Please contact your local sales representative for more information on the evapSelect® program.



**Note:** The number of coil connections doubles when the flow rate exceeds 112 l/s on ATWB 2,4 m x 28 models. This required option is referred to as the High Flow coil configuration.

ATWB model number†	Weights (kg)			Fans		Spray Pump		Coil Volume (Liters)	Remote Sump <sup>Δ</sup>			Dimensions <sup>▲</sup> (mm)				
	Shipping	Heaviest Section	Operating	kW	m <sup>3</sup> /s	kW	l/s		Liters* Req'd.	Conn. Size	Operating Weight (kg)	Height H	Length L	Lower E	Upper U	Coil A
ATWB 8-3I28	9.780	Upper	15.115	7,5	49,7	4	41,0	1.753	2.725	250	13.415	3.804	8.585	1.683	2.121	495
ATWB 8-3J28	9.890	Upper	15.225	11	56,9	4	41,0	1.753	2.725	250	13.525	3.804	8.585	1.683	2.121	495
ATWB 8-3K28	9.945	Upper	15.275	15	61,8	4	41,0	1.753	2.725	250	13.580	3.804	8.585	1.683	2.121	495
ATWB 8-3L28	9.970	Upper	15.305	18,5	65,8	4	41,0	1.753	2.725	250	13.610	3.804	8.585	1.683	2.121	495
ATWB 8-4I28	11.320	Upper	17.210	7,5	48,3	4	41,0	2.305	2.725	250	15.515	3.994	8.585	1.683	2.311	686
ATWB 8-4J28	11.430	Upper	17.320	11	55,3	4	41,0	2.305	2.725	250	15.620	3.994	8.585	1.683	2.311	686
ATWB 8-4K28	11.485	Upper	17.375	15	60,0	4	41,0	2.305	2.725	250	15.675	3.994	8.585	1.683	2.311	686
ATWB 8-4L28	11.510	Upper	17.400	18,5	63,9	4	41,0	2.305	2.725	250	15.705	3.994	8.585	1.683	2.311	686
ATWB 8-4M28	11.560	Upper	17.445	22	67,2	4	41,0	2.305	2.725	250	15.750	3.994	8.585	1.683	2.311	686
ATWB 8-5I28	12.865	Upper	19.305	7,5	46,8	4	41,0	2.854	2.725	250	17.610	4.185	8.585	1.683	2.502	876
ATWB 8-5J28	12.975	Upper	19.415	11	53,6	4	41,0	2.854	2.725	250	17.715	4.185	8.585	1.683	2.502	876
ATWB 8-5K28	13.025	Upper	19.470	15	58,2	4	41,0	2.854	2.725	250	17.770	4.185	8.585	1.683	2.502	876
ATWB 8-5L28	13.055	Upper	19.495	18,5	62,0	4	41,0	2.854	2.725	250	17.800	4.185	8.585	1.683	2.502	876
ATWB 8-5M28	13.100	Upper	19.540	22	65,2	4	41,0	2.854	2.725	250	17.845	4.185	8.585	1.683	2.502	876
ATWB 8-6I28	14.490	Upper	21.475	7,5	45,4	4	41,0	3.407	2.725	250	19.775	4.375	8.585	1.683	2.692	1.067
ATWB 8-6J28	14.595	Upper	21.580	11	51,9	4	41,0	3.407	2.725	250	19.885	4.375	8.585	1.683	2.692	1.067
ATWB 8-6K28	14.650	Upper	21.635	15	56,4	4	41,0	3.407	2.725	250	19.940	4.375	8.585	1.683	2.692	1.067
ATWB 8-6L28	14.680	Upper	21.665	18,5	60,1	4	41,0	3.407	2.725	250	19.965	4.375	8.585	1.683	2.692	1.067
ATWB 8-6M28	14.725	Upper	21.710	22	63,2	4	41,0	3.407	2.725	250	20.010	4.375	8.585	1.683	2.692	1.067

† Model Numbers end in "-Z" for units with Series Flow piping configuration. 4x4 ATWB units are only available in Series Flow and will require crossover piping which can either be supplied by the factory or by others. Model numbers will include "C" for units with Stainless Steel coil(s), "R" for units with Low Sound Fan(s) and "S" for units with an option that negates CTI certification.

†† Heaviest section is the coil/fan section.

\* Liters shown is water in suspension in unit and piping. Allow for additional water in bottom of remote sump to cover pump suction and strainer during operation (300 mm would normally be sufficient).

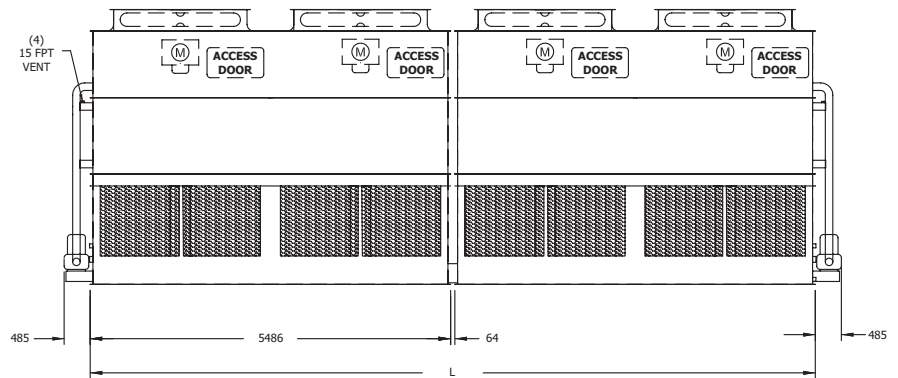
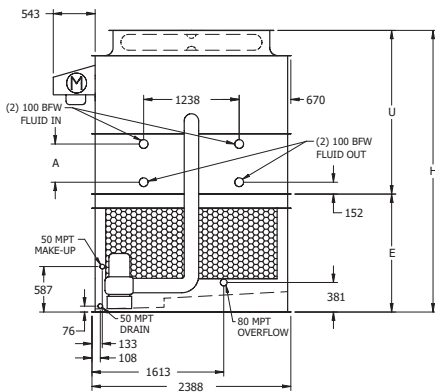
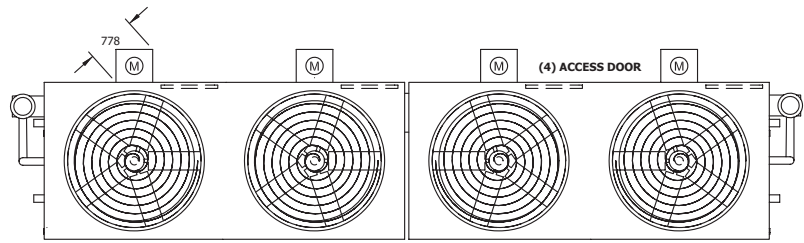
Δ When a remote sump arrangement is selected, the spray pump, suction strainer and associated piping are omitted; the unit is provided with an oversized outlet to facilitate drainage to the remote sump.

▲ Unit dimensions and coil connections may vary slightly from catalog. See factory certified prints for dimensions, quantity of coil connections, and piping configuration. Coil connections are 100 mm bevel for weld (BFW). Other connection types such as grooved for mechanical coupling or flanged are also available as options.



# Models: ATWB 8-3H36 to 8-6K36

## Closed Circuit Coolers



**Note:** The number of coil connections doubles when the flow rate exceeds 112 l/s on ATWB 2.4 m x 36 models. This required option is referred to as the High Flow coil configuration.

ATWB model number†	Weights (kg)			Fans		Spray Pump		Coil Volume (Liters)	Remote Sump <sup>Δ</sup>			Dimensions <sup>▲</sup> (mm)				
	Shipping	Heaviest Section	Operating	kW	m <sup>3</sup> /s	kW	l/s		Liters* Req'd.	Conn. Size	Operating Weight (kg)	Height H	Length L	Lower E	Upper U	Coil A
ATWB 8-3H36	13.225	Upper	20.120	5,5	67,1	4	50,4	2.233	3.635	300	17.915	3.804	11.036	1.683	2.121	495
ATWB 8-3I36	13.255	Upper	20.150	7,5	73,9	4	50,4	2.233	3.635	300	17.945	3.804	11.036	1.683	2.121	495
ATWB 8-3J36	13.480	Upper	20.375	11	82,8	4	50,4	2.233	3.635	300	18.170	3.804	11.036	1.683	2.121	495
ATWB 8-4H36	15.240	Upper	22.850	5,5	65,2	4	50,4	2.945	3.635	300	20.650	3.994	11.036	1.683	2.311	686
ATWB 8-4I36	15.270	Upper	22.880	7,5	71,8	4	50,4	2.945	3.635	300	20.675	3.994	11.036	1.683	2.311	686
ATWB 8-4J36	15.495	Upper	23.105	11	80,4	4	50,4	2.945	3.635	300	20.900	3.994	11.036	1.683	2.311	686
ATWB 8-4K36	15.605	Upper	23.215	15	87,1	4	50,4	2.945	3.635	300	21.010	3.994	11.036	1.683	2.311	686
ATWB 8-5H36	17.210	Upper	25.530	5,5	63,2	4	50,4	3.657	3.635	300	23.325	4.185	11.036	1.683	2.502	876
ATWB 8-5I36	17.235	Upper	25.555	7,5	69,6	4	50,4	3.657	3.635	300	23.350	4.185	11.036	1.683	2.502	876
ATWB 8-5J36	17.465	Upper	25.780	11	78,0	4	50,4	3.657	3.635	300	23.580	4.185	11.036	1.683	2.502	876
ATWB 8-5K36	17.570	Upper	25.890	15	84,5	4	50,4	3.657	3.635	300	23.685	4.185	11.036	1.683	2.502	876
ATWB 8-6H36	19.325	Upper	28.350	5,5	61,3	4	50,4	4.365	3.635	300	26.145	4.375	11.036	1.683	2.692	1.067
ATWB 8-6I36	19.350	Upper	28.375	7,5	67,4	4	50,4	4.365	3.635	300	26.170	4.375	11.036	1.683	2.692	1.067
ATWB 8-6J36	19.575	Upper	28.605	11	75,6	4	50,4	4.365	3.635	300	26.400	4.375	11.036	1.683	2.692	1.067
ATWB 8-6K36	19.685	Upper	28.710	15	81,9	4	50,4	4.365	3.635	300	26.510	4.375	11.036	1.683	2.692	1.067

† Model Numbers end in "-Z" for units with Series Flow piping configuration. 4x4 ATWB units are only available in Series Flow and will require crossover piping which can either be supplied by the factory or by others. Model numbers will include "C" for units with Stainless Steel coil(s), "R" for units with Low Sound Fan(s) and "S" for units with an option that negates CTI certification.

†† Heaviest section is the coil/fan section.

\* Liters shown is water in suspension in unit and piping. Allow for additional water in bottom of remote sump to cover pump suction and strainer during operation (300 mm would normally be sufficient).

Δ When a remote sump arrangement is selected, the spray pump, suction strainer and associated piping are omitted; the unit is provided with an oversized outlet to facilitate drainage to the remote sump.

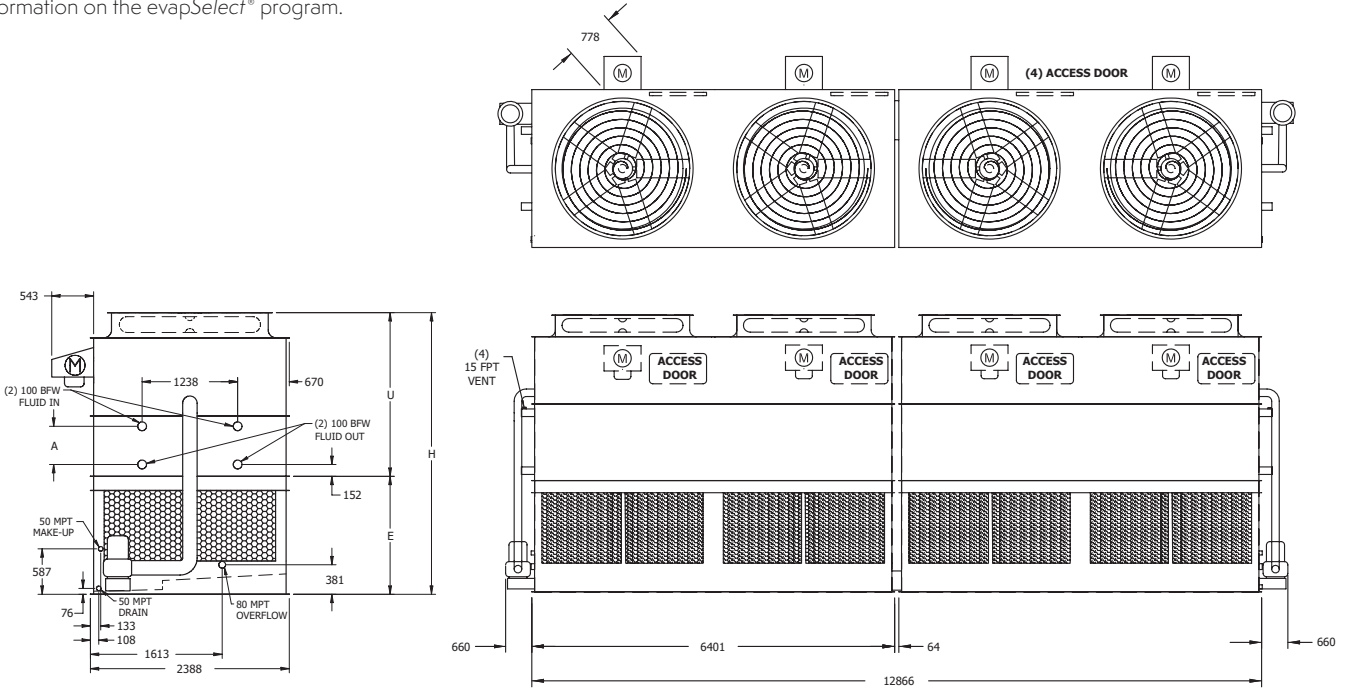
▲ Unit dimensions and coil connections may vary slightly from catalog. See factory certified prints for dimensions, quantity of coil connections, and piping configuration. Coil connections are 100 mm bevel for weld (BFW). Other connection types such as grooved for mechanical coupling or flanged are also available as options.

# Models: ATWB 8-3H42 to 8-6K42

## Closed Circuit Coolers

Selections for ATWB Closed Circuit Coolers are available from EVAPCO's evapSelect® Equipment Selection Program.

Please contact your local sales representative for more information on the evapSelect® program.



**Note:** The number of coil connections doubles when the flow rate exceeds 112 l/s at ATWB 2.4 m x42 models. This required option is referred to as the High Flow coil configuration.

ATWB model number†	Weights (kg)			Fans	Spray Pump	Coil Volume (Liters)	Remote Sump <sup>Δ</sup>			Dimensions <sup>▲</sup> (mm)						
	Shipping	Heaviest Section	Operating				kW	m <sup>3</sup> /s	kW	l/s	Liters Req'd*	Conn. Size	Operating Weight (kg)	Height H	Length L	Lower E
ATWB 8-3H42	14.980	Upper	23.105	5,5	74,7	5,5	66,2	2.593	4.240	300	20.530	3.804	12.865	1.683	2.121	495
ATWB 8-3I42	15.005	Upper	23.135	7,5	82,2	5,5	66,2	2.593	4.240	300	20.555	3.804	12.865	1.683	2.121	495
ATWB 8-3J42	15.230	Upper	23.360	11	92,9	5,5	66,2	2.593	4.240	300	20.785	3.804	12.865	1.683	2.121	495
ATWB 8-3K42	15.340	Upper	23.470	15	100,6	5,5	66,2	2.593	4.240	300	20.890	3.804	12.865	1.683	2.121	495
ATWB 8-4H42	17.310	Upper	26.270	5,5	72,5	5,5	66,2	3.426	4.240	300	23.695	3.994	12.865	1.683	2.311	686
ATWB 8-4I42	17.335	Upper	26.300	7,5	79,8	5,5	66,2	3.426	4.240	300	23.725	3.994	12.865	1.683	2.311	686
ATWB 8-4J42	17.565	Upper	26.525	11	90,2	5,5	66,2	3.426	4.240	300	23.950	3.994	12.865	1.683	2.311	686
ATWB 8-4K42	17.670	Upper	26.635	15	97,7	5,5	66,2	3.426	4.240	300	24.060	3.994	12.865	1.683	2.311	686
ATWB 8-5H42	19.585	Upper	29.375	5,5	70,3	5,5	66,2	4.255	4.240	300	26.800	4.185	12.865	1.683	2.502	876
ATWB 8-5I42	19.615	Upper	29.400	7,5	77,4	5,5	66,2	4.255	4.240	300	26.825	4.185	12.865	1.683	2.502	876
ATWB 8-5J42	19.840	Upper	29.630	11	87,4	5,5	66,2	4.255	4.240	300	27.050	4.185	12.865	1.683	2.502	876
ATWB 8-5K42	19.950	Upper	29.735	15	94,8	5,5	66,2	4.255	4.240	300	27.160	4.185	12.865	1.683	2.502	876
ATWB 8-5L42	20.005	Upper	29.790	18,5	100,9	5,5	66,2	4.255	4.240	300	27.215	4.185	12.865	1.683	2.502	876
ATWB 8-6H42	22.015	Upper	32.640	5,5	68,1	5,5	66,2	5.088	4.240	300	30.065	4.375	12.865	1.683	2.692	1.067
ATWB 8-6I42	22.045	Upper	32.670	7,5	75,0	5,5	66,2	5.088	4.240	300	30.090	4.375	12.865	1.683	2.692	1.067
ATWB 8-6J42	22.270	Upper	32.895	11	84,7	5,5	66,2	5.088	4.240	300	30.320	4.375	12.865	1.683	2.692	1.067
ATWB 8-6K42	22.380	Upper	33.005	15	91,8	5,5	66,2	5.088	4.240	300	30.425	4.375	12.865	1.683	2.692	1.067

† Model Numbers end in "-Z" for units with Series Flow piping configuration. 4x4 ATWB units are only available in Series Flow and will require crossover piping which can either be supplied by the factory or by others. Model numbers will include "C" for units with Stainless Steel coil(s), "R" for units with Low Sound Fan(s) and "S" for units with an option that negates CTI certification.

†† Heaviest section is the coil/fan section.

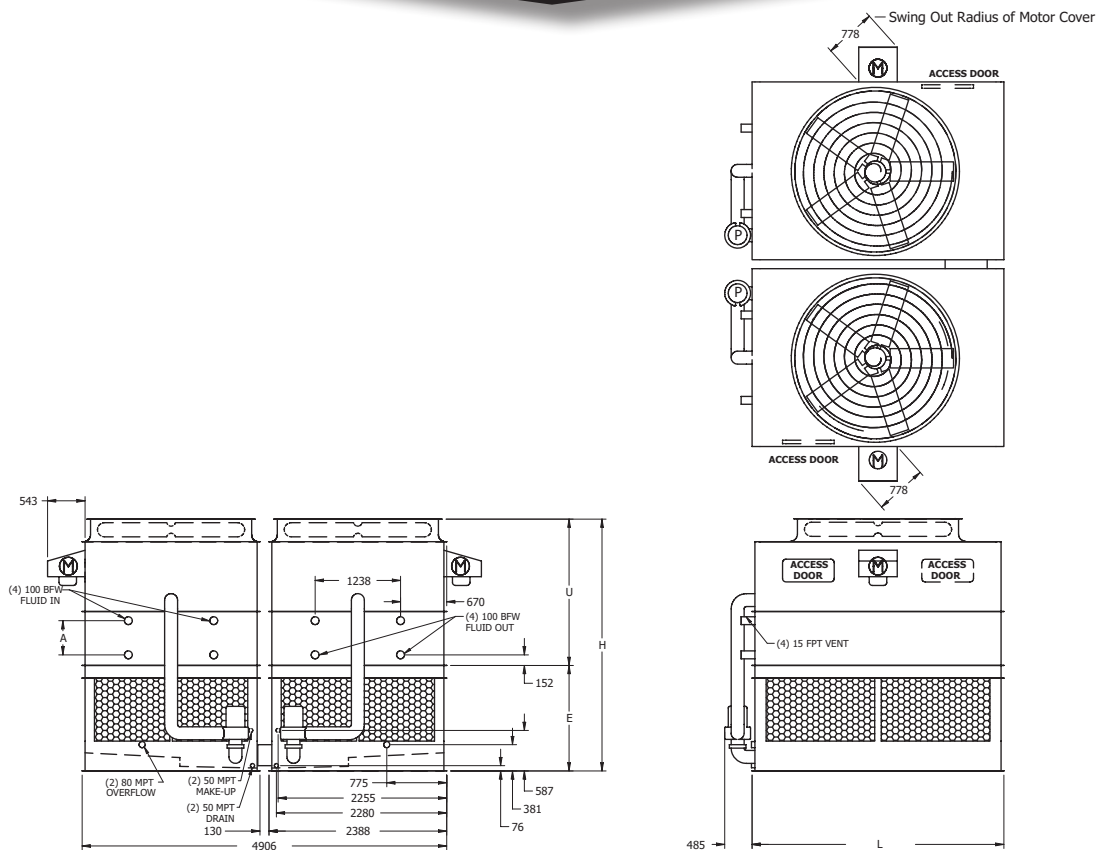
\* Liters shown is water in suspension in unit and piping. Allow for additional water in bottom of remote sump to cover pump suction and strainer during operation (300 mm would normally be sufficient).

Δ When a remote sump arrangement is selected, the spray pump, suction strainer and associated piping are omitted; the unit is provided with an oversized outlet to facilitate drainage to the remote sump.

▲ Unit dimensions and coil connections may vary slightly from catalog. See factory certified prints for dimensions, quantity of coil connections, and piping configuration. Coil connections are 100 mm bevel for weld (BFW). Other connection types such as grooved for mechanical coupling or flanged are also available as options.

# Models: ATWB 16-3H11 to 16-6K11

## Closed Circuit Coolers



**Note:** The number of coil connections doubles when the flow rate exceeds 112 l/s on ATWB 4.8 m x10.5. This required option is referred to as the High Flow coil configuration.

ATWB model number†	Weights (kg)			Fans		Spray Pump		Coil Volume (Liters)	Remote Sump <sup>△</sup>			Dimensions <sup>▲</sup> (mm)				
	Shipping	Heaviest Section	Operating	kW	m <sup>3</sup> /s	kW	l/s		Liters* Req'd.	Conn. Size	Operating Weight (kg)	Height H	Length L	Lower E	Upper U	Coil A
ATWB 16-3H11	8.020	Upper	11.975	5,5	37,2	2,2	31,5	1.332	2.120	250	10.660	3.651	3.188	1.530	2.121	495
ATWB 16-3I11	8.040	Upper	11.995	7,5	41,0	2,2	31,5	1.332	2.120	250	10.680	3.651	3.188	1.530	2.121	495
ATWB 16-3J11	8.145	Upper	12.100	11	46,3	2,2	31,5	1.332	2.120	250	10.785	3.651	3.188	1.530	2.121	495
ATWB 16-3K11	8.200	Upper	12.155	15	50,2	2,2	31,5	1.332	2.120	250	10.840	3.651	3.188	1.530	2.121	495
ATWB 16-4H11	9.165	Upper	13.525	5,5	36,1	2,2	31,5	1.741	2.120	250	12.210	3.842	3.188	1.530	2.311	686
ATWB 16-4I11	9.180	Upper	13.545	7,5	39,8	2,2	31,5	1.741	2.120	250	12.230	3.842	3.188	1.530	2.311	686
ATWB 16-4J11	9.290	Upper	13.655	11	44,9	2,2	31,5	1.741	2.120	250	12.340	3.842	3.188	1.530	2.311	686
ATWB 16-4K11	9.345	Upper	13.710	15	48,7	2,2	31,5	1.741	2.120	250	12.390	3.842	3.188	1.530	2.311	686
ATWB 16-5H11	10.395	Upper	15.175	5,5	35,1	2,2	31,5	2.154	2.120	250	13.860	4.032	3.188	1.530	2.502	876
ATWB 16-5I11	10.415	Upper	15.195	7,5	38,6	2,2	31,5	2.154	2.120	250	13.880	4.032	3.188	1.530	2.502	876
ATWB 16-5J11	10.525	Upper	15.305	11	43,6	2,2	31,5	2.154	2.120	250	13.990	4.032	3.188	1.530	2.502	876
ATWB 16-5K11	10.580	Upper	15.360	15	47,2	2,2	31,5	2.154	2.120	250	14.045	4.032	3.188	1.530	2.502	876
ATWB 16-6H11	11.610	Upper	16.800	5,5	34,0	2,2	31,5	2.563	2.120	250	15.485	4.223	3.188	1.530	2.692	1.067
ATWB 16-6I11	11.630	Upper	16.820	7,5	37,4	2,2	31,5	2.563	2.120	250	15.505	4.223	3.188	1.530	2.692	1.067
ATWB 16-6J11	11.740	Upper	16.930	11	42,2	2,2	31,5	2.563	2.120	250	15.615	4.223	3.188	1.530	2.692	1.067
ATWB 16-6K11	11.795	Upper	16.980	15	45,8	2,2	31,5	2.563	2.120	250	15.665	4.223	3.188	1.530	2.692	1.067

† Model Numbers end in "-Z" for units with Series Flow piping configuration. 4x4 ATWB units are only available in Series Flow and will require crossover piping which can either be supplied by the factory or by others. Model numbers will include "C" for units with Stainless Steel coil(s), "R" for units with Low Sound Fan(s) and "S" for units with an option that negates CTI certification.

†† Heaviest section is the coil/fan section.

\* Liters shown is water in suspension in unit and piping. Allow for additional water in bottom of remote sump to cover pump suction and strainer during operation (300 mm would normally be sufficient).

△ When a remote sump arrangement is selected, the spray pump, suction strainer and associated piping are omitted; the unit is provided with an oversized outlet to facilitate drainage to the remote sump.

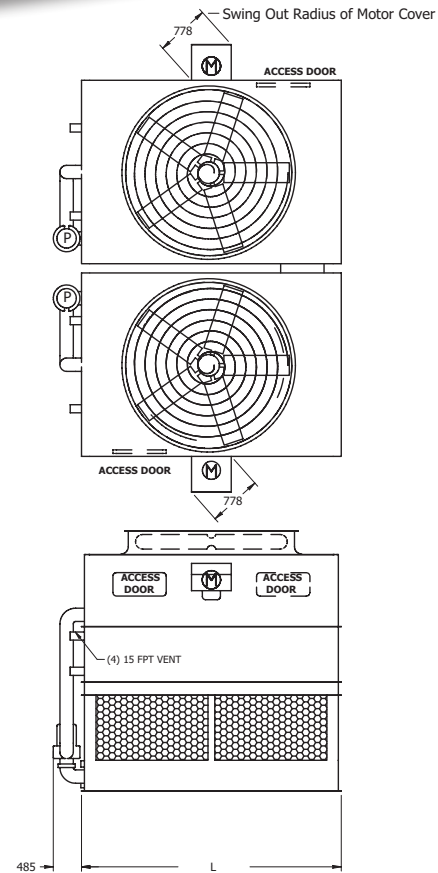
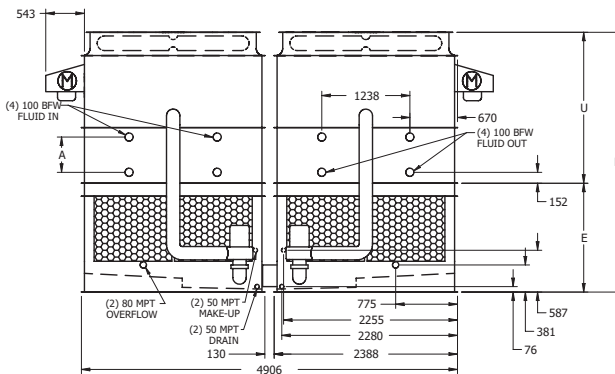
▲ Unit dimensions and coil connections may vary slightly from catalog. See factory certified prints for dimensions, quantity of coil connections, and piping configuration. Coil connections are 100 mm bevel for weld (BFW). Other connection types such as grooved for mechanical coupling or flanged are also available as options.



# Models: ATWB 16-3H12 to 16-6L12

## Closed Circuit Coolers

Selections for ATWB Closed Circuit Coolers are available from EVAPCO's evapSelect® Equipment Selection Program. Please contact your local sales representative for more information on the evapSelect® program.



**Note:** The number of coil connections doubles when the flow rate exceeds 112 l/s on ATWB 4.8 m x12 models. This required option is referred to as the High Flow coil configuration.

ATWB model number†	Weights (kg)			Fans		Spray Pump		Coil Volume (Liters)	Remote Sump <sup>△</sup>			Dimensions <sup>▲</sup> (mm)				
	Shipping	Heaviest Section	Operating	kW	m <sup>3</sup> /s	kW	l/s		Liters* Req'd.	Conn. Size	Operating Weight (kg)	Height H	Length L	Lower E	Upper U	Coil A
ATWB 16-3H12	8.655	Upper	13.245	5,5	40,8	2,2	34,7	1.514	2.425	250	11.765	3.651	3.651	1.530	2.121	495
ATWB 16-3I12	8.675	Upper	13.265	7,5	44,9	2,2	34,7	1.514	2.425	250	11.785	3.651	3.651	1.530	2.121	495
ATWB 16-3J12	8.780	Upper	13.370	11	51,0	2,2	34,7	1.514	2.425	250	11.895	3.651	3.651	1.530	2.121	495
ATWB 16-3K12	8.835	Upper	13.425	15	55,3	2,2	34,7	1.514	2.425	250	11.950	3.651	3.651	1.530	2.121	495
ATWB 16-4H12	9.990	Upper	15.050	5,5	39,6	2,2	34,7	1.984	2.425	250	13.570	3.842	3.651	1.530	2.311	686
ATWB 16-4I12	10.005	Upper	15.070	7,5	43,6	2,2	34,7	1.984	2.425	250	13.590	3.842	3.651	1.530	2.311	686
ATWB 16-4J12	10.115	Upper	15.175	11	49,5	2,2	34,7	1.984	2.425	250	13.700	3.842	3.651	1.530	2.311	686
ATWB 16-4K12	10.170	Upper	15.230	15	53,7	2,2	34,7	1.984	2.425	250	13.755	3.842	3.651	1.530	2.311	686
ATWB 16-4L12	10.195	Upper	15.260	18,5	57,2	2,2	34,7	1.984	2.425	250	13.780	3.842	3.651	1.530	2.311	686
ATWB 16-5H12	11.320	Upper	16.855	5,5	38,4	2,2	34,7	2.453	2.425	250	15.375	4.032	3.651	1.530	2.502	876
ATWB 16-5I12	11.340	Upper	16.875	7,5	42,2	2,2	34,7	2.453	2.425	250	15.395	4.032	3.651	1.530	2.502	876
ATWB 16-5J12	11.450	Upper	16.980	11	48,1	2,2	34,7	2.453	2.425	250	15.505	4.032	3.651	1.530	2.502	876
ATWB 16-5K12	11.505	Upper	17.035	15	52,1	2,2	34,7	2.453	2.425	250	15.560	4.032	3.651	1.530	2.502	876
ATWB 16-5L12	11.530	Upper	17.065	18,5	55,5	2,2	34,7	2.453	2.425	250	15.585	4.032	3.651	1.530	2.502	876
ATWB 16-6H12	12.730	Upper	18.735	5,5	37,2	2,2	34,7	2.926	2.425	250	17.255	4.223	3.651	1.530	2.692	1.067
ATWB 16-6I12	12.745	Upper	18.750	7,5	40,9	2,2	34,7	2.926	2.425	250	17.275	4.223	3.651	1.530	2.692	1.067
ATWB 16-6J12	12.855	Upper	18.860	11	46,6	2,2	34,7	2.926	2.425	250	17.380	4.223	3.651	1.530	2.692	1.067
ATWB 16-6K12	12.910	Upper	18.915	15	50,5	2,2	34,7	2.926	2.425	250	17.435	4.223	3.651	1.530	2.692	1.067
ATWB 16-6L12	12.935	Upper	18.940	18,5	53,7	2,2	34,7	2.926	2.425	250	17.465	4.223	3.651	1.530	2.692	1.067

† Model Numbers end in "-Z" for units with Series Flow piping configuration. 4x4 ATWB units are only available in Series Flow and will require crossover piping which can either be supplied by the factory or by others. Model numbers will include "C" for units with Stainless Steel coil(s), "R" for units with Low Sound Fan(s) and "S" for units with an option that negates CTI certification.

†† Heaviest section is the coil/fan section.

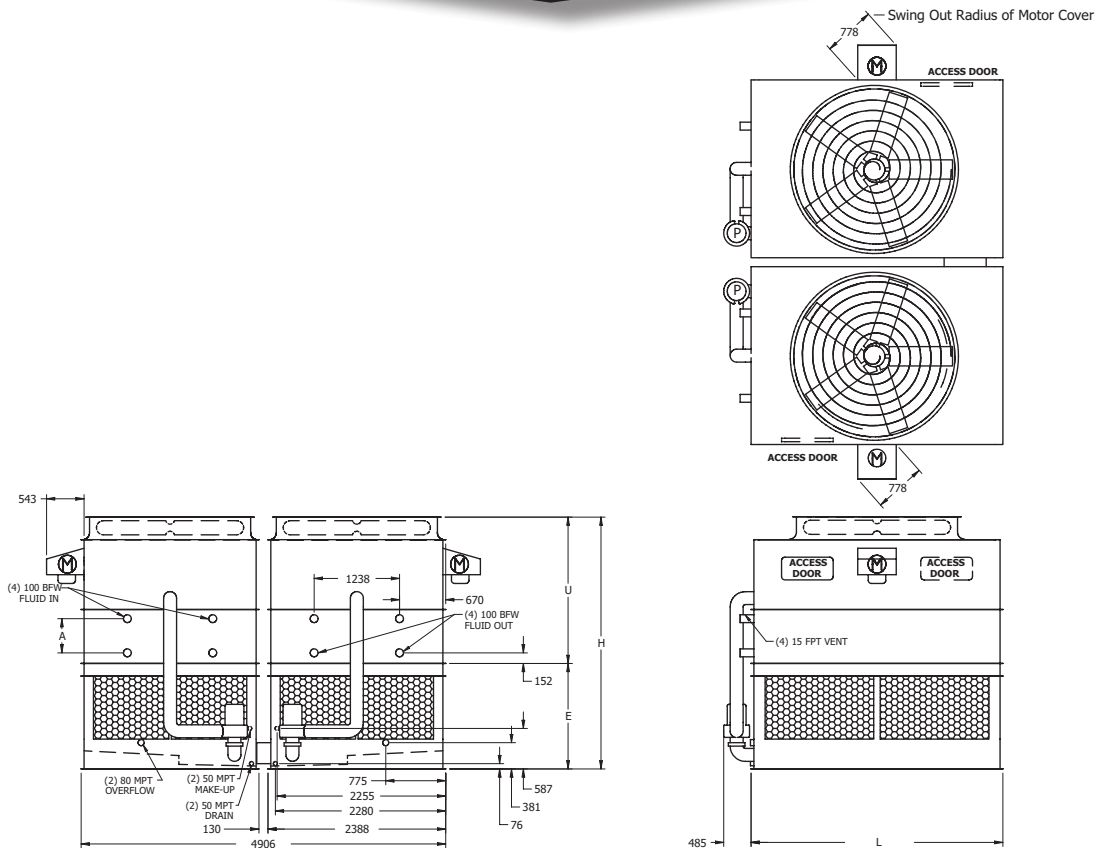
\* Liters shown is water in suspension in unit and piping. Allow for additional water in bottom of remote sump to cover pump suction and strainer during operation (300 mm would normally be sufficient).

△ When a remote sump arrangement is selected, the spray pump, suction strainer and associated piping are omitted; the unit is provided with an oversized outlet to facilitate drainage to the remote sump.

▲ Unit dimensions and coil connections may vary slightly from catalog. See factory certified prints for dimensions, quantity of coil connections, and piping configuration. Coil connections are 100 mm bevel for weld (BFW). Other connection types such as grooved for mechanical coupling or flanged are also available as options.

# Models: ATWB 16-3I14 to 16-6M14

## Closed Circuit Coolers



**Note:** The number of coil connections doubles when the flow rate exceeds 112 l/s on ATWB 4.8 m x14 . This required option is referred to as the High Flow coil configuration.

ATWB model number†	Weights (kg)			Fans		Spray Pump		Coil Volume (Liters)	Remote Sump <sup>△</sup>			Dimensions <sup>▲</sup> (mm)				
	Shipping	Heaviest Section	Operating	kW	m <sup>3</sup> /s	kW	l/s		Liters* Req'd.	Conn. Size	Operating Weight (kg)	Height H	Length L	Lower E	Upper U	Coil A
ATWB 16-3I14	9.780	Upper	15.115	7,5	49,7	4	41,0	1.753	2.725	250	13.415	3.804	4.261	1.683	2.121	495
ATWB 16-3J14	9.890	Upper	15.225	11	56,9	4	41,0	1.753	2.725	250	13.525	3.804	4.261	1.683	2.121	495
ATWB 16-3K14	9.945	Upper	15.275	15	61,8	4	41,0	1.753	2.725	250	13.580	3.804	4.261	1.683	2.121	495
ATWB 16-3L14	9.970	Upper	15.305	18,5	65,8	4	41,0	1.753	2.725	250	13.610	3.804	4.261	1.683	2.121	495
ATWB 16-4I14	11.320	Upper	17.210	7,5	48,3	4	41,0	2.305	2.725	250	15.515	3.994	4.261	1.683	2.311	686
ATWB 16-4J14	11.430	Upper	17.320	11	55,3	4	41,0	2.305	2.725	250	15.620	3.994	4.261	1.683	2.311	686
ATWB 16-4K14	11.485	Upper	17.375	15	60,0	4	41,0	2.305	2.725	250	15.675	3.994	4.261	1.683	2.311	686
ATWB 16-4L14	11.510	Upper	17.400	18,5	63,9	4	41,0	2.305	2.725	250	15.705	3.994	4.261	1.683	2.311	686
ATWB 16-4M14	11.560	Upper	17.445	22	67,2	4	41,0	2.305	2.725	250	15.750	3.994	4.261	1.683	2.311	686
ATWB 16-5I14	12.865	Upper	19.305	7,5	46,8	4	41,0	2.854	2.725	250	17.610	4.185	4.261	1.683	2.502	876
ATWB 16-5J14	12.975	Upper	19.415	11	53,6	4	41,0	2.854	2.725	250	17.715	4.185	4.261	1.683	2.502	876
ATWB 16-5K14	13.025	Upper	19.470	15	58,2	4	41,0	2.854	2.725	250	17.770	4.185	4.261	1.683	2.502	876
ATWB 16-5L14	13.055	Upper	19.495	18,5	62,0	4	41,0	2.854	2.725	250	17.800	4.185	4.261	1.683	2.502	876
ATWB 16-5M14	13.100	Upper	19.540	22	65,2	4	41,0	2.854	2.725	250	17.845	4.185	4.261	1.683	2.502	876
ATWB 16-6I14	14.490	Upper	21.475	7,5	45,4	4	41,0	3.407	2.725	250	19.775	4.375	4.261	1.683	2.692	1.067
ATWB 16-6J14	14.595	Upper	21.580	11	51,9	4	41,0	3.407	2.725	250	19.885	4.375	4.261	1.683	2.692	1.067
ATWB 16-6K14	14.650	Upper	21.635	15	56,4	4	41,0	3.407	2.725	250	19.940	4.375	4.261	1.683	2.692	1.067
ATWB 16-6L14	14.680	Upper	21.665	18,5	60,1	4	41,0	3.407	2.725	250	19.965	4.375	4.261	1.683	2.692	1.067
ATWB 16-6M14	14.725	Upper	21.710	22	63,2	4	41,0	3.407	2.725	250	20.010	4.375	4.261	1.683	2.692	1.067

† Model Numbers end in "-Z" for units with Series Flow piping configuration. 4x4 ATWB units are only available in Series Flow and will require crossover piping which can either be supplied by the factory or by others. Model numbers will include "C" for units with Stainless Steel coil(s), "R" for units with Low Sound Fan(s) and "S" for units with an option that negates CTI certification.

†† Heaviest section is the coil/fan section.

\* Liters shown is water in suspension in unit and piping. Allow for additional water in bottom of remote sump to cover pump suction and strainer during operation (300 mm would normally be sufficient).

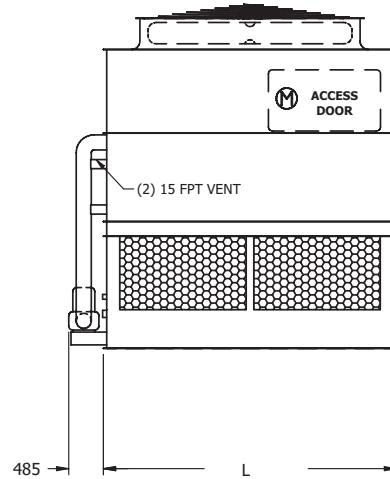
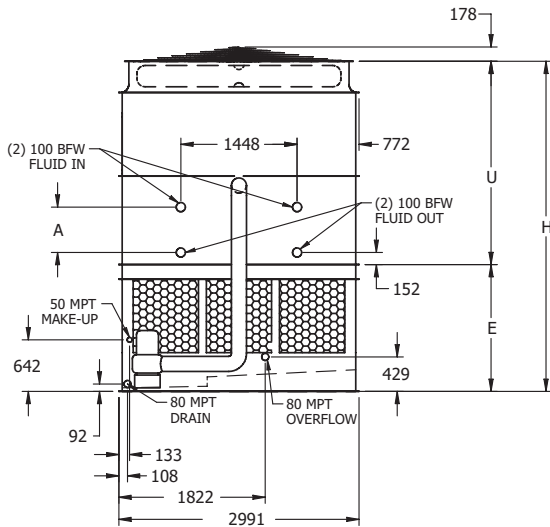
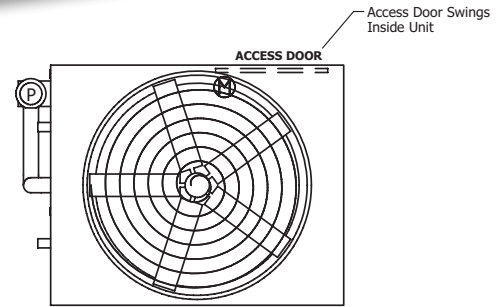
△ When a remote sump arrangement is selected, the spray pump, suction strainer and associated piping are omitted; the unit is provided with an oversized outlet to facilitate drainage to the remote sump.

▲ Unit dimensions and coil connections may vary slightly from catalog. See factory certified prints for dimensions, quantity of coil connections, and piping configuration. Coil connections are 100 mm bevel for weld (BFW). Other connection types such as grooved for mechanical coupling or flanged are also available as options.

# Models: ATWB 10-3I12 to 10-6M12

## Closed Circuit Coolers

Selections for ATWB Closed Circuit Coolers are available from EVAPCO's evapSelect® Equipment Selection Program. Please contact your local sales representative for more information on the evapSelect® program.



**Note:** The number of coil connections doubles when the flow rate exceeds 56 l/s on ATWB 10x12. This required option is referred to as the High Flow coil configuration.

ATWB model number†	Weights (kg)			Fans		Spray Pump		Coil Volume (Liters)	Remote Sump <sup>Δ</sup>			Dimensions <sup>▲</sup> (mm)				
	Shipping	Heaviest Section	Operating	kW	m <sup>3</sup> /s	kW	l/s		Liters* Req'd.	Conn. Size	Operating Weight (kg)	Height H	Length L	Lower E	Upper U	Coil A
ATWB 10-3I12	5.620	Upper	9.020	7,5	26,2	4	43,2	958	1.590	300	7.405	4.112	3.651	1.581	2.530	565
ATWB 10-3J12	5.680	Upper	9.080	11	30,0	4	43,2	958	1.590	300	7.460	4.112	3.651	1.581	2.530	565
ATWB 10-3K12	5.705	Upper	9.110	15	32,7	4	43,2	958	1.590	300	7.490	4.112	3.651	1.581	2.530	565
ATWB 10-3L12	5.720	Upper	9.120	18,5	34,8	4	43,2	958	1.590	300	7.500	4.112	3.651	1.581	2.530	565
ATWB 10-3M12	5.740	Upper	9.145	22	36,6	4	43,2	958	1.590	300	7.525	4.112	3.651	1.581	2.530	565
ATWB 10-4I12	6.475	Upper	10.175	7,5	25,4	4	43,2	1.257	1.590	300	8.555	4.328	3.651	1.581	2.746	781
ATWB 10-4J12	6.530	Upper	10.235	11	29,1	4	43,2	1.257	1.590	300	8.615	4.328	3.651	1.581	2.746	781
ATWB 10-4K12	6.560	Upper	10.260	15	31,7	4	43,2	1.257	1.590	300	8.640	4.328	3.651	1.581	2.746	781
ATWB 10-4L12	6.575	Upper	10.275	18,5	33,8	4	43,2	1.257	1.590	300	8.655	4.328	3.651	1.581	2.746	781
ATWB 10-4M12	6.595	Upper	10.295	22	35,5	4	43,2	1.257	1.590	300	8.675	4.328	3.651	1.581	2.746	781
ATWB 10-5I12	7.280	Upper	11.280	7,5	24,6	4	43,2	1.556	1.590	300	9.660	4.543	3.651	1.581	2.962	997
ATWB 10-5J12	7.340	Upper	11.340	11	28,2	4	43,2	1.556	1.590	300	9.720	4.543	3.651	1.581	2.962	997
ATWB 10-5K12	7.365	Upper	11.365	15	30,8	4	43,2	1.556	1.590	300	9.750	4.543	3.651	1.581	2.962	997
ATWB 10-5L12	7.380	Upper	11.380	18,5	32,8	4	43,2	1.556	1.590	300	9.760	4.543	3.651	1.581	2.962	997
ATWB 10-5M12	7.405	Upper	11.405	22	34,5	4	43,2	1.556	1.590	300	9.785	4.543	3.651	1.581	2.962	997
ATWB 10-6I12	8.150	Upper	12.450	7,5	23,9	4	43,2	1.855	1.590	300	10.830	4.759	3.651	1.581	3.178	1.213
ATWB 10-6J12	8.210	Upper	12.510	11	27,3	4	43,2	1.855	1.590	300	10.890	4.759	3.651	1.581	3.178	1.213
ATWB 10-6K12	8.235	Upper	12.535	15	29,8	4	43,2	1.855	1.590	300	10.920	4.759	3.651	1.581	3.178	1.213
ATWB 10-6L12	8.250	Upper	12.550	18,5	31,7	4	43,2	1.855	1.590	300	10.930	4.759	3.651	1.581	3.178	1.213
ATWB 10-6M12	8.275	Upper	12.575	22	33,4	4	43,2	1.855	1.590	300	10.955	4.759	3.651	1.581	3.178	1.213

† Model Numbers end in "-Z" for units with Series Flow piping configuration. 4x4 ATWB units are only available in Series Flow and will require crossover piping which can either be supplied by the factory or by others. Model numbers will include "C" for units with Stainless Steel coil(s), "R" for units with Low Sound Fan(s) and "S" for units with an option that negates CTI certification.

†† Heaviest section is the coil/fan section.

\* Liters shown is water in suspension in unit and piping. Allow for additional water in bottom of remote sump to cover pump suction and strainer during operation (300 mm would normally be sufficient).

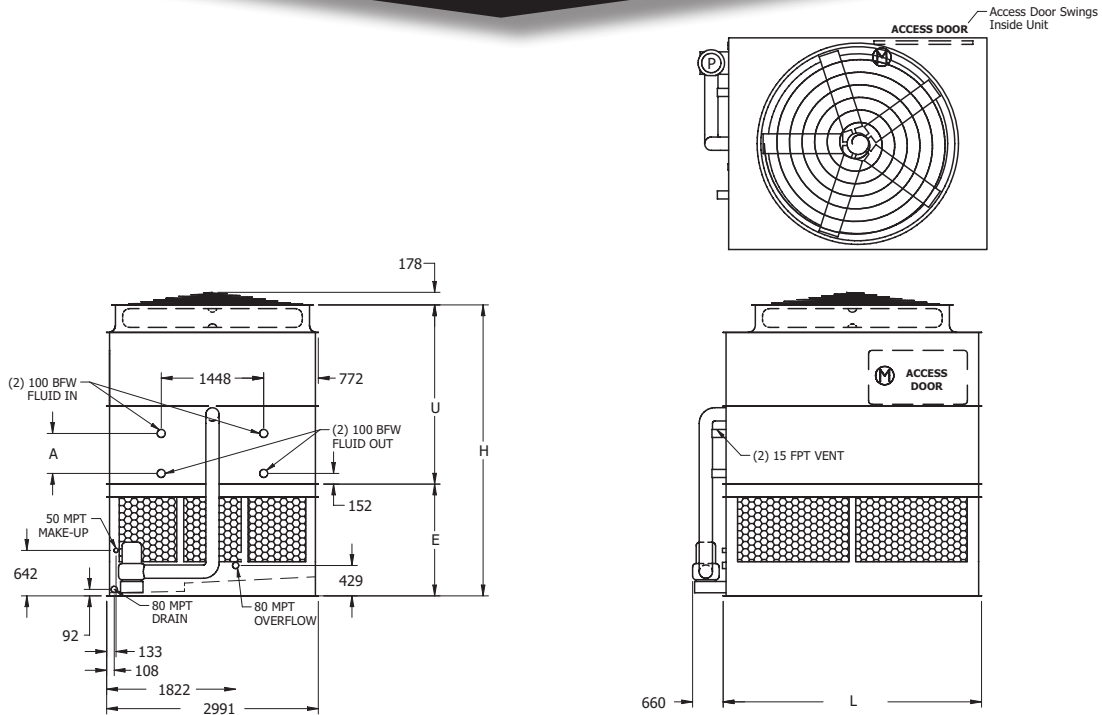
Δ When a remote sump arrangement is selected, the spray pump, suction strainer and associated piping are omitted; the unit is provided with an oversized outlet to facilitate drainage to the remote sump.

▲ Unit dimensions and coil connections may vary slightly from catalog. See factory certified prints for dimensions, quantity of coil connections, and piping configuration. Coil connections are 100 mm bevel for weld (BFW). Other connection types such as grooved for mechanical coupling or flanged are also available as options.



# Models: ATWB 10-3I18 to 10-6N18

## Closed Circuit Coolers



**Note:** The number of coil connections doubles when the flow rate exceeds 56 l/s on ATWB 10x18 models. This required option is referred to as the High Flow coil configuration. Optional Dual Fan units will have a "-DF" at the end of the model number in Spectrum. Fan kW and weights may vary.

ATWB model number†	Weights (kg)			Fans		Spray Pump		Coil Volume (Liters)	Remote Sump <sup>△</sup>			Dimensions <sup>▲</sup> (mm)				
	Shipping	Heaviest Section	Operating	kW	m <sup>3</sup> /s	kW	l/s		Liters* Req'd.	Conn. Size	Operating Weight (kg)	Height H	Length L	Lower E	Upper U	Coil A
ATWB 10-3I18	8.000	Upper	13.115	7,5	34,4	5,5	64,9	1.416	2.385	300	10.730	4.112	5.486	1.581	2.530	565
ATWB 10-3J18	8.060	Upper	13.170	11	39,3	5,5	64,9	1.416	2.385	300	10.790	4.112	5.486	1.581	2.530	565
ATWB 10-3K18	8.090	Upper	13.200	15	43,3	5,5	64,9	1.416	2.385	300	10.820	4.112	5.486	1.581	2.530	565
ATWB 10-3L18	8.100	Upper	13.215	18,5	46,6	5,5	64,9	1.416	2.385	300	10.830	4.112	5.486	1.581	2.530	565
ATWB 10-3M18	8.125	Upper	13.235	22	49,1	5,5	64,9	1.416	2.385	300	10.855	4.112	5.486	1.581	2.530	565
ATWB 10-3N18	8.195	Upper	13.310	30	53,3	5,5	64,9	1.416	2.385	300	10.925	4.112	5.486	1.581	2.530	565
ATWB 10-4I18	9.265	Upper	14.830	7,5	33,4	5,5	64,9	1.870	2.385	300	12.450	4.328	5.486	1.581	2.746	781
ATWB 10-4J18	9.325	Upper	14.890	11	38,2	5,5	64,9	1.870	2.385	300	12.510	4.328	5.486	1.581	2.746	781
ATWB 10-4K18	9.355	Upper	14.920	15	42,0	5,5	64,9	1.870	2.385	300	12.535	4.328	5.486	1.581	2.746	781
ATWB 10-4L18	9.365	Upper	14.930	18,5	45,3	5,5	64,9	1.870	2.385	300	12.550	4.328	5.486	1.581	2.746	781
ATWB 10-4M18	9.390	Upper	14.955	22	47,7	5,5	64,9	1.870	2.385	300	12.575	4.328	5.486	1.581	2.746	781
ATWB 10-4N18	9.460	Upper	15.030	30	51,7	5,5	64,9	1.870	2.385	300	12.645	4.328	5.486	1.581	2.746	781
ATWB 10-5I18	10.490	Upper	16.505	7,5	32,4	5,5	64,9	2.320	2.385	300	14.125	4.543	5.486	1.581	2.962	997
ATWB 10-5J18	10.550	Upper	16.565	11	37,1	5,5	64,9	2.320	2.385	300	14.185	4.543	5.486	1.581	2.962	997
ATWB 10-5K18	10.580	Upper	16.590	15	40,8	5,5	64,9	2.320	2.385	300	14.210	4.543	5.486	1.581	2.962	997
ATWB 10-5L18	10.590	Upper	16.605	18,5	43,9	5,5	64,9	2.320	2.385	300	14.225	4.543	5.486	1.581	2.962	997
ATWB 10-5M18	10.615	Upper	16.630	22	46,3	5,5	64,9	2.320	2.385	300	14.245	4.543	5.486	1.581	2.962	997
ATWB 10-5N18	10.685	Upper	16.700	30	50,1	5,5	64,9	2.320	2.385	300	14.320	4.543	5.486	1.581	2.962	997
ATWB 10-6I18	11.795	Upper	18.260	7,5	31,4	5,5	64,9	2.771	2.385	300	15.880	4.759	5.486	1.581	3.178	1.213
ATWB 10-6J18	11.850	Upper	18.320	11	35,9	5,5	64,9	2.771	2.385	300	15.940	4.759	5.486	1.581	3.178	1.213
ATWB 10-6K18	11.880	Upper	18.350	15	39,5	5,5	64,9	2.771	2.385	300	15.965	4.759	5.486	1.581	3.178	1.213
ATWB 10-6L18	11.895	Upper	18.360	18,5	42,6	5,5	64,9	2.771	2.385	300	15.980	4.759	5.486	1.581	3.178	1.213
ATWB 10-6M18	11.915	Upper	18.385	22	44,8	5,5	64,9	2.771	2.385	300	16.005	4.759	5.486	1.581	3.178	1.213
ATWB 10-6N18	11.990	Upper	18.455	30	48,6	5,5	64,9	2.771	2.385	300	16.075	4.759	5.486	1.581	3.178	1.213

† Model Numbers end in "-Z" for units with Series Flow piping configuration. 4x4 ATWB units are only available in Series Flow and will require crossover piping which can either be supplied by the factory or by others. Model numbers will include "C" for units with Stainless Steel coil(s), "R" for units with Low Sound Fan(s) and "S" for units with an option that negates CTI certification.

†† Heaviest section is the coil/fan section.

\* Liters shown is water in suspension in unit and piping. Allow for additional water in bottom of remote sump to cover pump suction and strainer during operation (300 mm would normally be sufficient).

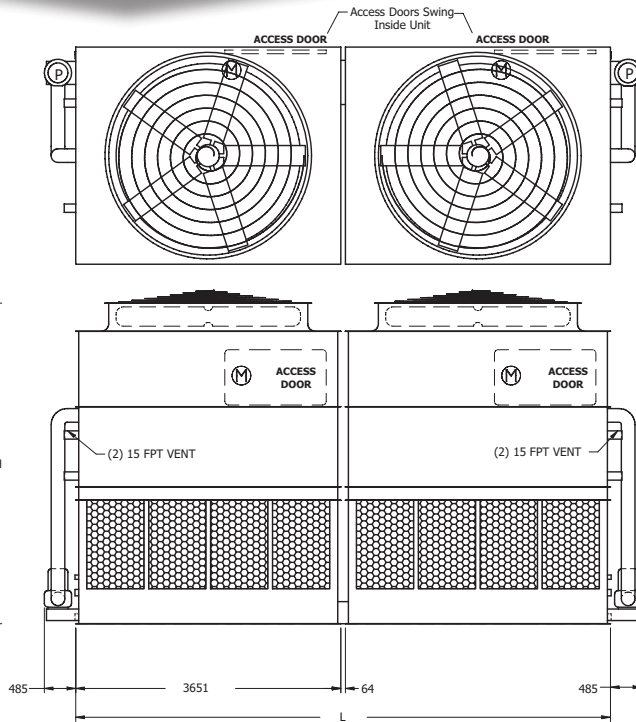
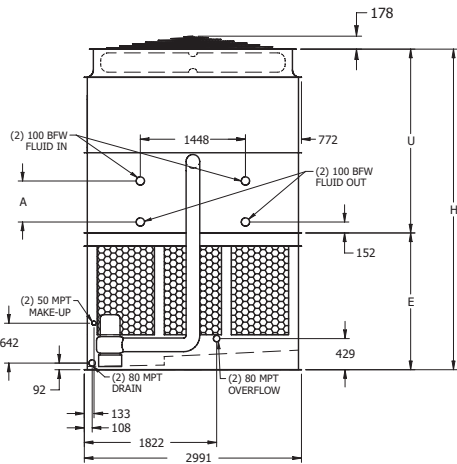
△ When a remote sump arrangement is selected, the spray pump, suction strainer and associated piping are omitted; the unit is provided with an oversized outlet to facilitate drainage to the remote sump.

▲ Unit dimensions and coil connections may vary slightly from catalog. See factory certified prints for dimensions, quantity of coil connections, and piping configuration. Coil connections are 100 mm bevel for weld (BFW). Other connection types such as grooved for mechanical coupling or flanged are also available as options.

# Models: ATWB 10-3I24 to 10-6M24

## Closed Circuit Coolers

Selections for ATWB Closed Circuit Coolers are available from EVAPCO's evapSelect® Equipment Selection Program. Please contact your local sales representative for more information on the evapSelect® program.



**Note:** The number of coil connections doubles when the flow rate exceeds 112 l/s on ATWB 10x24 models. This required option is referred to as the High Flow coil configuration.

ATWB model number†	Weights (kg)			Fans		Spray Pump		Coil Volume (Liters)	Remote Sump <sup>Δ</sup>			Dimensions <sup>▲</sup> (mm)				
	Shipping	Heaviest Section	Operating	kW	m <sup>3</sup> /s	kW	l/s		Liters* Req'd.	Conn. Size	Operating Weight (kg)	Height H	Length L	Lower E	Upper U	Coil A
ATWB 10-3I24	11.240	Upper	18.045	7,5	52,3	4	43,2	1,915	3,180	300	14,805	4,416	7,366	1,886	2,530	565
ATWB 10-3J24	11.360	Upper	18.160	11	59,9	4	43,2	1,915	3,180	300	14,925	4,416	7,366	1,886	2,530	565
ATWB 10-3K24	11.410	Upper	18.215	15	65,3	4	43,2	1,915	3,180	300	14,980	4,416	7,366	1,886	2,530	565
ATWB 10-3L24	11.440	Upper	18.245	18,5	69,6	4	43,2	1,915	3,180	300	15,005	4,416	7,366	1,886	2,530	565
ATWB 10-3M24	11.485	Upper	18.290	22	73,2	4	43,2	1,915	3,180	300	15,050	4,416	7,366	1,886	2,530	565
ATWB 10-4I24	12.945	Upper	20.350	7,5	50,8	4	43,2	2,514	3,180	300	17,110	4,632	7,366	1,886	2,746	781
ATWB 10-4J24	13.065	Upper	20.465	11	58,2	4	43,2	2,514	3,180	300	17,225	4,632	7,366	1,886	2,746	781
ATWB 10-4K24	13.120	Upper	20.520	15	63,4	4	43,2	2,514	3,180	300	17,280	4,632	7,366	1,886	2,746	781
ATWB 10-4L24	13.145	Upper	20.550	18,5	67,5	4	43,2	2,514	3,180	300	17,310	4,632	7,366	1,886	2,746	781
ATWB 10-4M24	13.190	Upper	20.595	22	71,1	4	43,2	2,514	3,180	300	17,355	4,632	7,366	1,886	2,746	781
ATWB 10-5I24	14.560	Upper	22.560	7,5	49,3	4	43,2	3,112	3,180	300	19,325	4,848	7,366	1,886	2,962	997
ATWB 10-5J24	14.680	Upper	22.680	11	56,4	4	43,2	3,112	3,180	300	19,440	4,848	7,366	1,886	2,962	997
ATWB 10-5K24	14.735	Upper	22.735	15	61,5	4	43,2	3,112	3,180	300	19,495	4,848	7,366	1,886	2,962	997
ATWB 10-5L24	14.760	Upper	22.760	18,5	65,5	4	43,2	3,112	3,180	300	19,525	4,848	7,366	1,886	2,962	997
ATWB 10-5M24	14.805	Upper	22.805	22	68,9	4	43,2	3,112	3,180	300	19,570	4,848	7,366	1,886	2,962	997
ATWB 10-6I24	16.300	Upper	24.900	7,5	47,8	4	43,2	3,710	3,180	300	21,665	5,064	7,366	1,886	3,178	1,213
ATWB 10-6J24	16.420	Upper	25.020	11	54,7	4	43,2	3,710	3,180	300	21,780	5,064	7,366	1,886	3,178	1,213
ATWB 10-6K24	16.475	Upper	25.075	15	59,6	4	43,2	3,710	3,180	300	21,835	5,064	7,366	1,886	3,178	1,213
ATWB 10-6L24	16.500	Upper	25.100	18,5	63,5	4	43,2	3,710	3,180	300	21,865	5,064	7,366	1,886	3,178	1,213
ATWB 10-6M24	16.545	Upper	25.145	22	66,8	4	43,2	3,710	3,180	300	21,910	5,064	7,366	1,886	3,178	1,213

† Model Numbers end in "-Z" for units with Series Flow piping configuration. 4x4 ATWB units are only available in Series Flow and will require crossover piping which can either be supplied by the factory or by others. Model numbers will include "C" for units with Stainless Steel coil(s), "R" for units with Low Sound Fan(s) and "S" for units with an option that negates CTI certification.

†† Heaviest section is the coil/fan section.

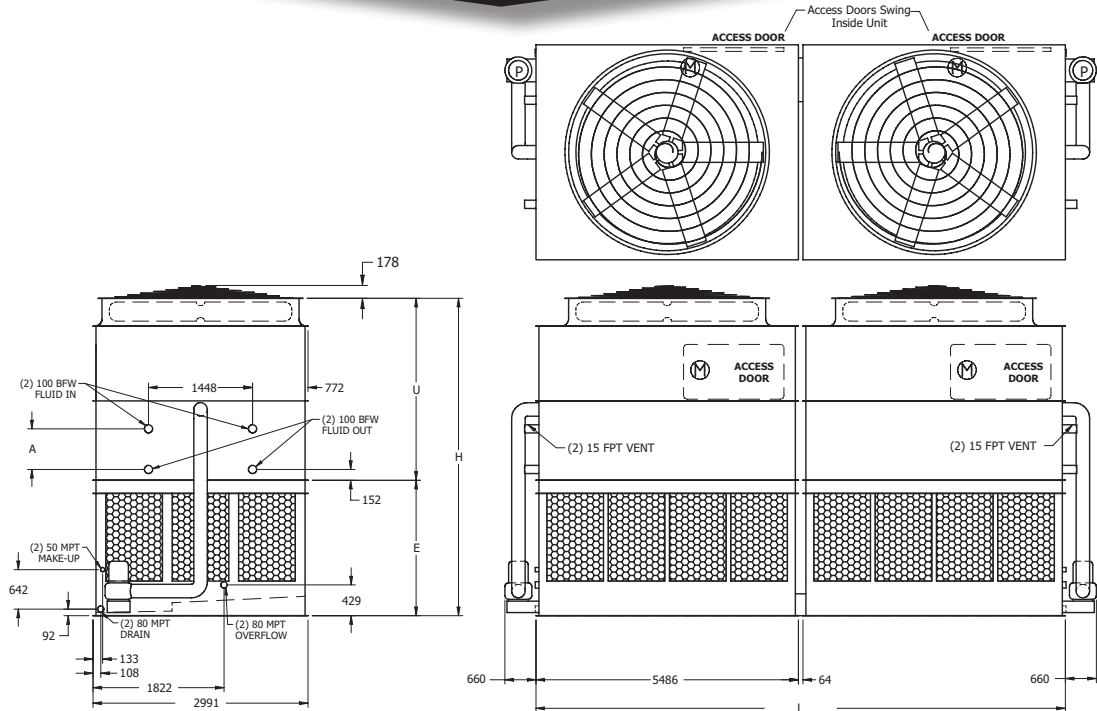
\* Liters shown is water in suspension in unit and piping. Allow for additional water in bottom of remote sump to cover pump suction and strainer during operation (300 mm would normally be sufficient).

Δ When a remote sump arrangement is selected, the spray pump, suction strainer and associated piping are omitted; the unit is provided with an oversized outlet to facilitate drainage to the remote sump.

▲ Unit dimensions and coil connections may vary slightly from catalog. See factory certified prints for dimensions, quantity of coil connections, and piping configuration. Coil connections are bevel for weld (BFW). Other connection types such as grooved for mechanical coupling or flanged are also available as options.

# Models: ATWB 10-3I36 to 10-6N36

## Closed Circuit Coolers



**Note:** The number of coil connections doubles when the flow rate exceeds 112 l/s on ATWB10x36 models. This required option is referred to as the High Flow coil configuration. Optional Dual Fan units will have a "-DF" at the end of the model number in Spectrum. Fan kW and weights may vary.

ATWB model number†	Weights (kg)			Fans		Spray Pump		Coil Volume (Liters)	Remote Sump <sup>Δ</sup>			Dimensions <sup>▲</sup> (mm)				
	Shipping	Heaviest Section	Operating	kW	m³/s	kW	l/s		Liters* Req'd.	Conn. Size	Operating Weight (kg)	Height H	Length L	Lower E	Upper U	Coil A
ATWB 10-3I36	16.005	Upper	26.225	7,5	68,7	5,5	64,9	2.831	4.770	300	21.465	4.416	11.036	1.886	2.530	565
ATWB 10-3J36	16.120	Upper	26.345	11	78,7	5,5	64,9	2.831	4.770	300	21.580	4.416	11.036	1.886	2.530	565
ATWB 10-3K36	16.175	Upper	26.400	15	86,6	5,5	64,9	2.831	4.770	300	21.635	4.416	11.036	1.886	2.530	565
ATWB 10-3L36	16.200	Upper	26.425	18,5	93,3	5,5	64,9	2.831	4.770	300	21.665	4.416	11.036	1.886	2.530	565
ATWB 10-3M36	16.250	Upper	26.470	22	98,3	5,5	64,9	2.831	4.770	300	21.710	4.416	11.036	1.886	2.530	565
ATWB 10-3N36	16.395	Upper	26.615	30	106,5	5,5	64,9	2.831	4.770	300	21.855	4.416	11.036	1.886	2.530	565
ATWB 10-4I36	18.535	Upper	29.665	7,5	66,7	5,5	64,9	3.736	4.770	300	24.900	4.632	11.036	1.886	2.746	781
ATWB 10-4J36	18.650	Upper	29.785	11	76,4	5,5	64,9	3.736	4.770	300	25.020	4.632	11.036	1.886	2.746	781
ATWB 10-4K36	18.705	Upper	29.835	15	84,1	5,5	64,9	3.736	4.770	300	25.075	4.632	11.036	1.886	2.746	781
ATWB 10-4L36	18.735	Upper	29.865	18,5	90,6	5,5	64,9	3.736	4.770	300	25.100	4.632	11.036	1.886	2.746	781
ATWB 10-4M36	18.780	Upper	29.910	22	95,4	5,5	64,9	3.736	4.770	300	25.145	4.632	11.036	1.886	2.746	781
ATWB 10-4N36	18.925	Upper	30.055	30	103,4	5,5	64,9	3.736	4.770	300	25.290	4.632	11.036	1.886	2.746	781
ATWB 10-5I36	20.985	Upper	33.010	7,5	64,7	5,5	64,9	4.637	4.770	300	28.250	4.848	11.036	1.886	2.962	997
ATWB 10-5J36	21.100	Upper	33.130	11	74,1	5,5	64,9	4.637	4.770	300	28.370	4.848	11.036	1.886	2.962	997
ATWB 10-5K36	21.155	Upper	33.185	15	81,6	5,5	64,9	4.637	4.770	300	28.420	4.848	11.036	1.886	2.962	997
ATWB 10-5L36	21.185	Upper	33.210	18,5	87,9	5,5	64,9	4.637	4.770	300	28.450	4.848	11.036	1.886	2.962	997
ATWB 10-5M36	21.230	Upper	33.255	22	92,5	5,5	64,9	4.637	4.770	300	28.495	4.848	11.036	1.886	2.962	997
ATWB 10-5N36	21.375	Upper	33.405	30	100,3	5,5	64,9	4.637	4.770	300	28.640	4.848	11.036	1.886	2.962	997
ATWB 10-6I36	23.585	Upper	36.525	7,5	62,7	5,5	64,9	5.542	4.770	300	31.760	5.064	11.036	1.886	3.178	1.213
ATWB 10-6J36	23.705	Upper	36.640	11	71,8	5,5	64,9	5.542	4.770	300	31.880	5.064	11.036	1.886	3.178	1.213
ATWB 10-6K36	23.760	Upper	36.695	15	79,0	5,5	64,9	5.542	4.770	300	31.935	5.064	11.036	1.886	3.178	1.213
ATWB 10-6L36	23.785	Upper	36.725	18,5	85,1	5,5	64,9	5.542	4.770	300	31.960	5.064	11.036	1.886	3.178	1.213
ATWB 10-6M36	23.830	Upper	36.770	22	89,7	5,5	64,9	5.542	4.770	300	32.005	5.064	11.036	1.886	3.178	1.213
ATWB 10-6N36	23.975	Upper	36.915	30	97,2	5,5	64,9	5.542	4.770	300	32.150	5.064	11.036	1.886	3.178	1.213

† Model Numbers end in "-Z" for units with Series Flow piping configuration. 4x4 ATWB units are only available in Series Flow and will require crossover piping which can either be supplied by the factory or by others. Model numbers will include "C" for units with Stainless Steel coil(s), "R" for units with Low Sound Fan(s) and "S" for units with an option that negates CTI certification.

†† Heaviest section is the coil/fan section.

\* Liters shown is water in suspension in unit and piping. Allow for additional water in bottom of remote sump to cover pump suction and strainer during operation (300 mm would normally be sufficient).

Δ When a remote sump arrangement is selected, the spray pump, suction strainer and associated piping are omitted; the unit is provided with an oversized outlet to facilitate drainage to the remote sump.

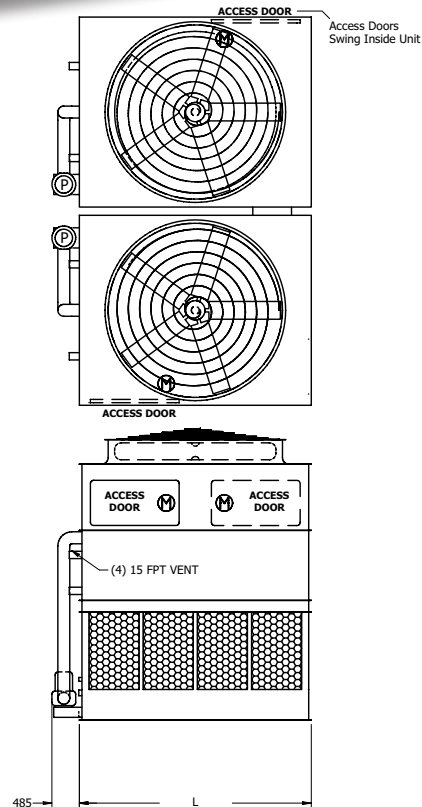
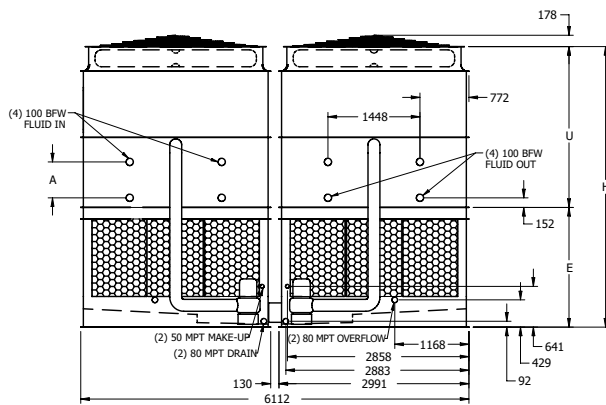
▲ Unit dimensions and coil connections may vary slightly from catalog. See factory certified prints for dimensions, quantity of coil connections, and piping configuration. Coil connections are 100 mm bevel for weld (BFW). Other connection types such as grooved for mechanical coupling or flanged are also available as options.



# Models: ATWB 20-3I12 to 20-6M12

## Closed Circuit Coolers

Selections for ATWB Closed Circuit Coolers are available from EVAPCO's evapSelect® Equipment Selection Program. Please contact your local sales representative for more information on the evapSelect® program.



**Note:** The number of coil connections doubles when the flow rate exceeds 112 l/s on ATWB 20x12 models. This required option is referred to as the High Flow coil configuration.

ATWB model number†	Weights (kg)			Fans		Spray Pump		Coil Volume (Liters)	Remote Sump <sup>Δ</sup>			Dimensions <sup>▲</sup> (mm)				
	Shipping	Heaviest Section	Operating	kW	m <sup>3</sup> /s	kW	l/s		Liters* Req'd.	Conn. Size	Operating Weight (kg)	Height H	Length L	Lower E	Upper U	Coil A
ATWB 20-3I12	11.250	Upper	18.055	7,5	52,3	4	43,2	1.915	3.180	300	14.815	4.416	3.651	1.886	2.530	565
ATWB 20-3J12	11.365	Upper	18.170	11	59,9	4	43,2	1.915	3.180	300	14.930	4.416	3.651	1.886	2.530	565
ATWB 20-3K12	11.420	Upper	18.225	15	65,3	4	43,2	1.915	3.180	300	14.985	4.416	3.651	1.886	2.530	565
ATWB 20-3L12	11.450	Upper	18.255	18,5	69,6	4	43,2	1.915	3.180	300	15.015	4.416	3.651	1.886	2.530	565
ATWB 20-3M12	11.495	Upper	18.300	22	73,2	4	43,2	1.915	3.180	300	15.060	4.416	3.651	1.886	2.530	565
ATWB 20-4I12	12.955	Upper	20.355	7,5	50,8	4	43,2	2.514	3.180	300	17.120	4.632	3.651	1.886	2.746	781
ATWB 20-4J12	13.075	Upper	20.475	11	58,2	4	43,2	2.514	3.180	300	17.235	4.632	3.651	1.886	2.746	781
ATWB 20-4K12	13.125	Upper	20.530	15	63,4	4	43,2	2.514	3.180	300	17.290	4.632	3.651	1.886	2.746	781
ATWB 20-4L12	13.155	Upper	20.555	18,5	67,5	4	43,2	2.514	3.180	300	17.320	4.632	3.651	1.886	2.746	781
ATWB 20-4M12	13.200	Upper	20.600	22	71,1	4	43,2	2.514	3.180	300	17.365	4.632	3.651	1.886	2.746	781
ATWB 20-5I12	14.570	Upper	22.570	7,5	49,3	4	43,2	3.112	3.180	300	19.330	4.848	3.651	1.886	2.962	997
ATWB 20-5J12	14.685	Upper	22.690	11	56,4	4	43,2	3.112	3.180	300	19.450	4.848	3.651	1.886	2.962	997
ATWB 20-5K12	14.740	Upper	22.745	15	61,5	4	43,2	3.112	3.180	300	19.505	4.848	3.651	1.886	2.962	997
ATWB 20-5L12	14.770	Upper	22.770	18,5	65,5	4	43,2	3.112	3.180	300	19.530	4.848	3.651	1.886	2.962	997
ATWB 20-5M12	14.815	Upper	22.815	22	68,9	4	43,2	3.112	3.180	300	19.575	4.848	3.651	1.886	2.962	997
ATWB 20-6I12	16.310	Upper	24.910	7,5	47,8	4	43,2	3.710	3.180	300	21.675	5.064	3.651	1.886	3.178	1.213
ATWB 20-6J12	16.430	Upper	25.030	11	54,7	4	43,2	3.710	3.180	300	21.790	5.064	3.651	1.886	3.178	1.213
ATWB 20-6K12	16.485	Upper	25.085	15	59,6	4	43,2	3.710	3.180	300	21.845	5.064	3.651	1.886	3.178	1.213
ATWB 20-6L12	16.510	Upper	25.110	18,5	63,5	4	43,2	3.710	3.180	300	21.870	5.064	3.651	1.886	3.178	1.213
ATWB 20-6M12	16.555	Upper	25.155	22	66,8	4	43,2	3.710	3.180	300	21.920	5.064	3.651	1.886	3.178	1.213

† Model Numbers end in "-Z" for units with Series Flow piping configuration. 4x4 ATWB units are only available in Series Flow and will require crossover piping which can either be supplied by the factory or by others. Model numbers will include "C" for units with Stainless Steel coil(s), "R" for units with Low Sound Fan(s) and "S" for units with an option that negates CTI certification.

†† Heaviest section is the coil/fan section.

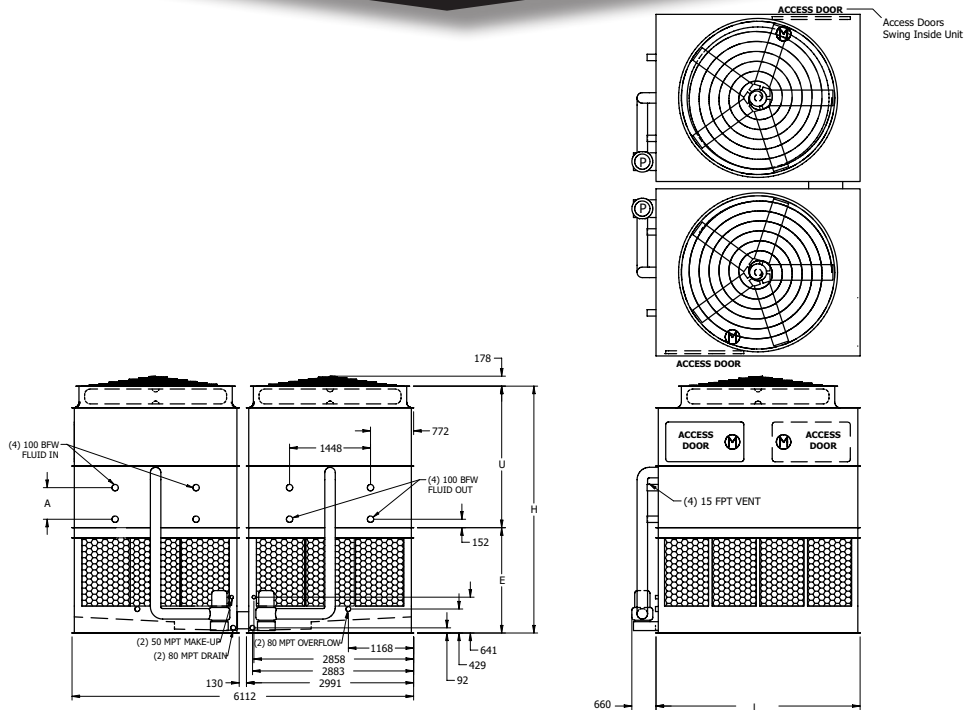
\* Liters shown is water in suspension in unit and piping. Allow for additional water in bottom of remote sump to cover pump suction and strainer during operation (300 mm would normally be sufficient).

Δ When a remote sump arrangement is selected, the spray pump, suction strainer and associated piping are omitted; the unit is provided with an oversized outlet to facilitate drainage to the remote sump.

▲ Unit dimensions and coil connections may vary slightly from catalog. See factory certified prints for dimensions, quantity of coil connections, and piping configuration. Coil connections are 100 mm bevel for weld (BFW). Other connection types such as grooved for mechanical coupling or flanged are also available as options.

# Models: ATWB 20-3I18 to 20-6N18

## Closed Circuit Coolers



**Note:** The number of coil connections doubles when the flow rate exceeds 112 l/s on ATWB 20x18 models. This required option is referred to as the High Flow coil configuration. Optional Dual Fan units will have a "-DF" at the end of the model number in Spectrum. Fan kW and weights may vary.

ATWB model number†	Weights (kg)			Fans		Spray Pump		Coil Volume (Liters)	Remote Sump <sup>△</sup>			Dimensions <sup>▲</sup> (mm)				
	Shipping	Heaviest Section	Operating	kW	m³/s	kW	l/s		Liters* Req'd.	Conn. Size	Operating Weight (kg)	Height H	Length L	Lower E	Upper U	Coil A
ATWB 20-3I18	16.020	Upper	26.245	7,5	68,7	5,5	64,9	2.831	4.770	300	21.480	4.721	5.486	2.191	2.530	565
ATWB 20-3J18	16.140	Upper	26.365	11	78,7	5,5	64,9	2.831	4.770	300	21.600	4.721	5.486	2.191	2.530	565
ATWB 20-3K18	16.195	Upper	26.415	15	86,6	5,5	64,9	2.831	4.770	300	21.655	4.721	5.486	2.191	2.530	565
ATWB 20-3L18	16.220	Upper	26.445	18,5	93,3	5,5	64,9	2.831	4.770	300	21.680	4.721	5.486	2.191	2.530	565
ATWB 20-3M18	16.265	Upper	26.490	22	98,3	5,5	64,9	2.831	4.770	300	21.725	4.721	5.486	2.191	2.530	565
ATWB 20-3N18	16.410	Upper	26.635	30	106,5	5,5	64,9	2.831	4.770	300	21.870	4.721	5.486	2.191	2.530	565
ATWB 20-4I18	18.550	Upper	29.685	7,5	66,7	5,5	64,9	3.736	4.770	300	24.920	4.937	5.486	2.191	2.746	781
ATWB 20-4J18	18.670	Upper	29.800	11	76,4	5,5	64,9	3.736	4.770	300	25.040	4.937	5.486	2.191	2.746	781
ATWB 20-4K18	18.725	Upper	29.855	15	84,1	5,5	64,9	3.736	4.770	300	25.095	4.937	5.486	2.191	2.746	781
ATWB 20-4L18	18.750	Upper	29.885	18,5	90,6	5,5	64,9	3.736	4.770	300	25.120	4.937	5.486	2.191	2.746	781
ATWB 20-4M18	18.795	Upper	29.930	22	95,4	5,5	64,9	3.736	4.770	300	25.165	4.937	5.486	2.191	2.746	781
ATWB 20-4N18	18.940	Upper	30.075	30	103,4	5,5	64,9	3.736	4.770	300	25.310	4.937	5.486	2.191	2.746	781
ATWB 20-5I18	21.000	Upper	33.030	7,5	64,7	5,5	64,9	4.637	4.770	300	28.270	5.153	5.486	2.191	2.962	997
ATWB 20-5J18	21.120	Upper	33.150	11	74,1	5,5	64,9	4.637	4.770	300	28.385	5.153	5.486	2.191	2.962	997
ATWB 20-5K18	21.175	Upper	33.205	15	81,6	5,5	64,9	4.637	4.770	300	28.440	5.153	5.486	2.191	2.962	997
ATWB 20-5L18	21.200	Upper	33.230	18,5	87,9	5,5	64,9	4.637	4.770	300	28.465	5.153	5.486	2.191	2.962	997
ATWB 20-5M18	21.245	Upper	33.275	22	92,5	5,5	64,9	4.637	4.770	300	28.515	5.153	5.486	2.191	2.962	997
ATWB 20-5N18	21.390	Upper	33.420	30	100,3	5,5	64,9	4.637	4.770	300	28.660	5.153	5.486	2.191	2.962	997
ATWB 20-6I18	23.605	Upper	36.540	7,5	62,7	5,5	64,9	5.542	4.770	300	31.780	5.369	5.486	2.191	3.178	1.213
ATWB 20-6J18	23.725	Upper	36.660	11	71,8	5,5	64,9	5.542	4.770	300	31.895	5.369	5.486	2.191	3.178	1.213
ATWB 20-6K18	23.775	Upper	36.715	15	79,0	5,5	64,9	5.542	4.770	300	31.950	5.369	5.486	2.191	3.178	1.213
ATWB 20-6L18	23.805	Upper	36.740	18,5	85,1	5,5	64,9	5.542	4.770	300	31.980	5.369	5.486	2.191	3.178	1.213
ATWB 20-6M18	23.850	Upper	36.785	22	89,7	5,5	64,9	5.542	4.770	300	32.025	5.369	5.486	2.191	3.178	1.213
ATWB 20-6N18	23.995	Upper	36.930	30	97,2	5,5	64,9	5.542	4.770	300	32.170	5.369	5.486	2.191	3.178	1.213

† Model Numbers end in "-Z" for units with Series Flow piping configuration. 4x4 ATWB units are only available in Series Flow and will require crossover piping which can either be supplied by the factory or by others. Model numbers will include "C" for units with Stainless Steel coil(s), "R" for units with Low Sound Fan(s) and "S" for units with an option that negates CTI certification.

†† Heaviest section is the coil/fan section.

\* Liters shown is water in suspension in unit and piping. Allow for additional water in bottom of remote sump to cover pump suction and strainer during operation (300 mm would normally be sufficient).

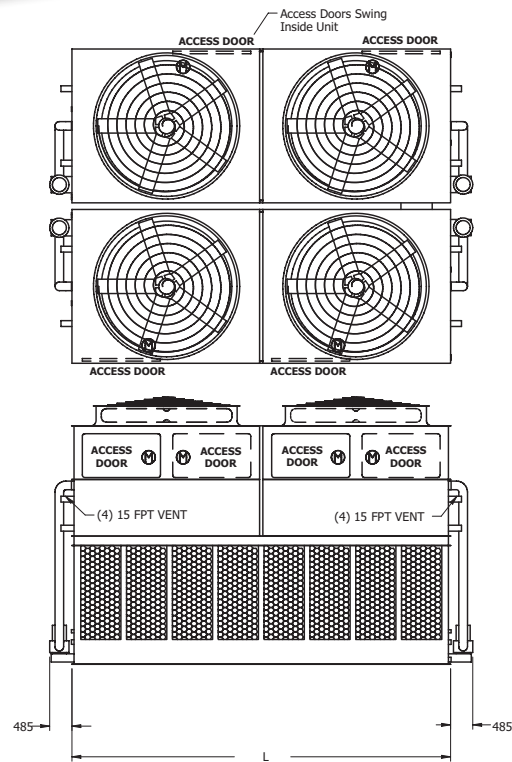
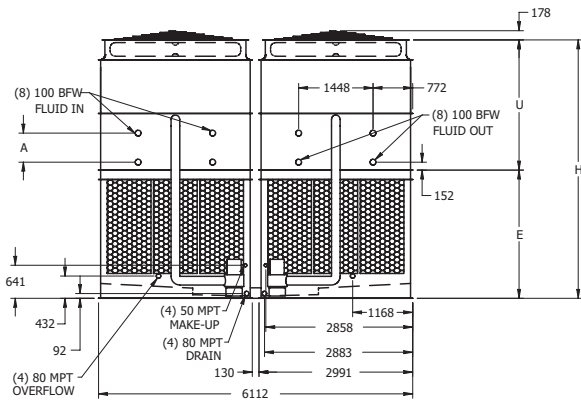
△ When a remote sump arrangement is selected, the spray pump, suction strainer and associated piping are omitted; the unit is provided with an oversized outlet to facilitate drainage to the remote sump.

▲ Unit dimensions and coil connections may vary slightly from catalog. See factory certified prints for dimensions, quantity of coil connections, and piping configuration. Coil connections are 100 mm bevel for weld (BFW). Other connection types such as grooved for mechanical coupling or flanged are also available as options.

# Models: ATWB 20-3I24 to 20-6M24

## Closed Circuit Coolers

Selections for ATWB Closed Circuit Coolers are available from EVAPCO's evapSelect® Equipment Selection Program. Please contact your local sales representative for more information on the evapSelect® program.



**Note:** The number of coil connections doubles when the flow rate exceeds 224 l/s on ATWB 20x24. This required option is referred to as the High Flow coil configuration. Optional Dual Fan units will have a "-DF" at the end of the model number in Spectrum. Fan kW and weights may vary.

ATWB model number†	Weights (kg)			Fans		Spray Pump		Coil Volume (Liters)	Remote Sump <sup>Δ</sup>			Dimensions <sup>▲</sup> (mm)				
	Shipping	Heaviest Section	Operating	kW	m <sup>3</sup> /s	kW	l/s		Liters* Req'd.	Conn. Size	Operating Weight (kg)	Height H	Length L	Lower E	Upper U	Coil A
ATWB 20-3I24	22.760	Upper	36.360	7,5	104,7	4	43,2	3.831	6.360	300	29.445	5.026	7.366	2.496	2.530	565
ATWB 20-3J24	22.995	Upper	36.595	11	119,8	4	43,2	3.831	6.360	300	29.685	5.026	7.366	2.496	2.530	565
ATWB 20-3K24	23.105	Upper	36.705	15	130,7	4	43,2	3.831	6.360	300	29.790	5.026	7.366	2.496	2.530	565
ATWB 20-3L24	23.160	Upper	36.760	18,5	139,1	4	43,2	3.831	6.360	300	29.845	5.026	7.366	2.496	2.530	565
ATWB 20-3M24	23.250	Upper	36.850	22	146,4	4	43,2	3.831	6.360	300	29.935	5.026	7.366	2.496	2.530	565
ATWB 20-4I24	26.170	Upper	40.970	7,5	101,6	4	43,2	5.027	6.360	300	34.055	5.242	7.366	2.496	2.746	781
ATWB 20-4J24	26.410	Upper	41.205	11	116,3	4	43,2	5.027	6.360	300	34.290	5.242	7.366	2.496	2.746	781
ATWB 20-4K24	26.515	Upper	41.315	15	126,9	4	43,2	5.027	6.360	300	34.400	5.242	7.366	2.496	2.746	781
ATWB 20-4L24	26.570	Upper	41.370	18,5	135,1	4	43,2	5.027	6.360	300	34.455	5.242	7.366	2.496	2.746	781
ATWB 20-4M24	26.660	Upper	41.460	22	142,1	4	43,2	5.027	6.360	300	34.545	5.242	7.366	2.496	2.746	781
ATWB 20-5I24	29.400	Upper	45.395	7,5	98,6	4	43,2	6.219	6.360	300	38.485	5.458	7.366	2.496	2.962	997
ATWB 20-5J24	29.640	Upper	45.630	11	112,8	4	43,2	6.219	6.360	300	38.720	5.458	7.366	2.496	2.962	997
ATWB 20-5K24	29.745	Upper	45.740	15	123,1	4	43,2	6.219	6.360	300	38.825	5.458	7.366	2.496	2.962	997
ATWB 20-5L24	29.800	Upper	45.795	18,5	131,0	4	43,2	6.219	6.360	300	38.880	5.458	7.366	2.496	2.962	997
ATWB 20-5M24	29.890	Upper	45.885	22	137,9	4	43,2	6.219	6.360	300	38.975	5.458	7.366	2.496	2.962	997
ATWB 20-6I24	32.885	Upper	50.075	7,5	95,5	4	43,2	7.416	6.360	300	43.165	5.674	7.366	2.496	3.178	1.213
ATWB 20-6J24	33.120	Upper	50.310	11	109,4	4	43,2	7.416	6.360	300	43.400	5.674	7.366	2.496	3.178	1.213
ATWB 20-6K24	33.230	Upper	50.420	15	119,3	4	43,2	7.416	6.360	300	43.510	5.674	7.366	2.496	3.178	1.213
ATWB 20-6L24	33.285	Upper	50.475	18,5	127,0	4	43,2	7.416	6.360	300	43.565	5.674	7.366	2.496	3.178	1.213
ATWB 20-6M24	33.375	Upper	50.565	22	133,6	4	43,2	7.416	6.360	300	43.655	5.674	7.366	2.496	3.178	1.213

† Model Numbers end in "-Z" for units with Series Flow piping configuration. 4x4 ATWB units are only available in Series Flow and will require crossover piping which can either be supplied by the factory or by others. Model numbers will include "C" for units with Stainless Steel coil(s), "R" for units with Low Sound Fan(s) and "S" for units with an option that negates CTI certification.

†† Heaviest section is the coil/fan section.

\* Liters shown is water in suspension in unit and piping. Allow for additional water in bottom of remote sump to cover pump suction and strainer during operation (300 mm would normally be sufficient).

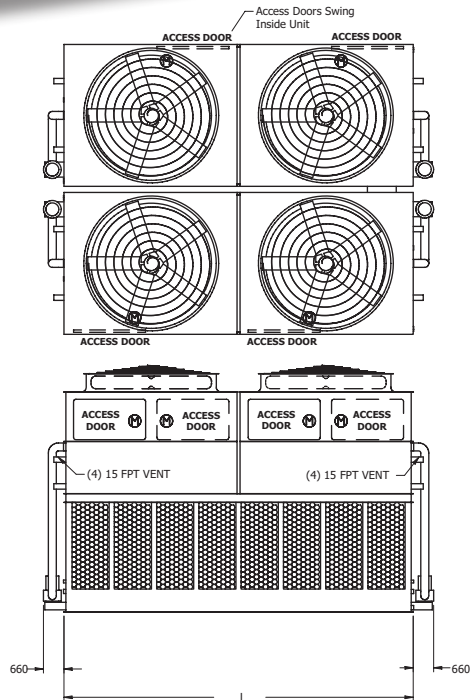
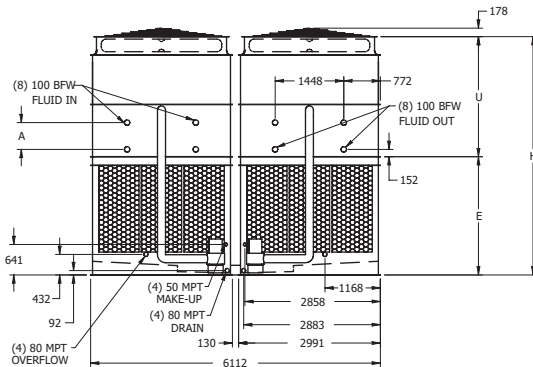
Δ When a remote sump arrangement is selected, the spray pump, suction strainer and associated piping are omitted; the unit is provided with an oversized outlet to facilitate drainage to the remote sump.

▲ Unit dimensions and coil connections may vary slightly from catalog. See factory certified prints for dimensions, quantity of coil connections, and piping configuration. Coil connections are 100 mm bevel for weld (BFW). Other connection types such as grooved for mechanical coupling or flanged are also available as options.



# Models: ATWB 20-3136 to 20-6N36

## Closed Circuit Coolers



**Note:** The number of coil connections doubles when the flow rate exceeds 224 l/s on ATWB 20x368 models. This required option is referred to as the High Flow coil configuration. Optional Dual Fan units will have a "-DF" at the end of the model number in Spectrum. Fan kW and weights may vary.

ATWB model number†	Weights (kg)			Fans		Spray Pump		Coil Volume (Liters)	Remote Sump <sup>△</sup>			Dimensions <sup>▲</sup> (mm)				
	Shipping	Heaviest Section	Operating	kW	m <sup>3</sup> /s	kW	l/s		Liters* Req'd.	Conn. Size	Operating Weight (kg)	Height H	Length L	Lower E	Upper U	Coil A
ATWB 20-3136	32.315	Upper	52.905	7,5	137,5	5,5	64,9	5.663	9.540	300	42.885	5.026	11.036	2.496	2.530	565
ATWB 20-3J36	32.550	Upper	53.145	11	157,4	5,5	64,9	5.663	9.540	300	43.120	5.026	11.036	2.496	2.530	565
ATWB 20-3K36	32.660	Upper	53.250	15	173,2	5,5	64,9	5.663	9.540	300	43.225	5.026	11.036	2.496	2.530	565
ATWB 20-3L36	32.715	Upper	53.305	18,5	186,6	5,5	64,9	5.663	9.540	300	43.280	5.026	11.036	2.496	2.530	565
ATWB 20-3M36	32.805	Upper	53.395	22	196,5	5,5	64,9	5.663	9.540	300	43.370	5.026	11.036	2.496	2.530	565
ATWB 20-3N36	33.095	Upper	53.685	30	213,0	5,5	64,9	5.663	9.540	300	43.665	5.026	11.036	2.496	2.530	565
ATWB 20-4I36	37.375	Upper	59.785	7,5	133,5	5,5	64,9	7.469	9.540	300	49.760	5.242	11.036	2.496	2.746	781
ATWB 20-4J36	37.610	Upper	60.020	11	152,8	5,5	64,9	7.469	9.540	300	49.995	5.242	11.036	2.496	2.746	781
ATWB 20-4K36	37.720	Upper	60.130	15	168,2	5,5	64,9	7.469	9.540	300	50.105	5.242	11.036	2.496	2.746	781
ATWB 20-4L36	37.775	Upper	60.185	18,5	181,2	5,5	64,9	7.469	9.540	300	50.160	5.242	11.036	2.496	2.746	781
ATWB 20-4M36	37.865	Upper	60.275	22	190,8	5,5	64,9	7.469	9.540	300	50.250	5.242	11.036	2.496	2.746	781
ATWB 20-4N36	38.155	Upper	60.565	30	206,8	5,5	64,9	7.469	9.540	300	50.540	5.242	11.036	2.496	2.746	781
ATWB 20-5I36	42.275	Upper	66.480	7,5	129,5	5,5	64,9	9.274	9.540	300	56.455	5.458	11.036	2.496	2.962	997
ATWB 20-5J36	42.510	Upper	66.715	11	148,2	5,5	64,9	9.274	9.540	300	56.690	5.458	11.036	2.496	2.962	997
ATWB 20-5K36	42.620	Upper	66.825	15	163,1	5,5	64,9	9.274	9.540	300	56.800	5.458	11.036	2.496	2.962	997
ATWB 20-5L36	42.675	Upper	66.880	18,5	175,7	5,5	64,9	9.274	9.540	300	56.855	5.458	11.036	2.496	2.962	997
ATWB 20-5M36	42.765	Upper	66.970	22	185,1	5,5	64,9	9.274	9.540	300	56.945	5.458	11.036	2.496	2.962	997
ATWB 20-5N36	43.055	Upper	67.260	30	200,6	5,5	64,9	9.274	9.540	300	57.235	5.458	11.036	2.496	2.962	997
ATWB 20-6I36	47.480	Upper	73.500	7,5	125,5	5,5	64,9	11.080	9.540	300	63.475	5.674	11.036	2.496	3.178	1.213
ATWB 20-6J36	47.720	Upper	73.735	11	143,6	5,5	64,9	11.080	9.540	300	63.710	5.674	11.036	2.496	3.178	1.213
ATWB 20-6K36	47.825	Upper	73.845	15	158,1	5,5	64,9	11.080	9.540	300	63.820	5.674	11.036	2.496	3.178	1.213
ATWB 20-6L36	47.880	Upper	73.900	18,5	170,3	5,5	64,9	11.080	9.540	300	63.875	5.674	11.036	2.496	3.178	1.213
ATWB 20-6M36	47.970	Upper	73.990	22	179,3	5,5	64,9	11.080	9.540	300	63.965	5.674	11.036	2.496	3.178	1.213
ATWB 20-6N36	48.260	Upper	74.280	30	194,4	5,5	64,9	11.080	9.540	300	64.255	5.674	11.036	2.496	3.178	1.213

† Model Numbers end in "-Z" for units with Series Flow piping configuration. 4x4 ATWB units are only available in Series Flow and will require crossover piping which can either be supplied by the factory or by others. Model numbers will include "C" for units with Stainless Steel coil(s), "R" for units with Low Sound Fan(s) and "S" for units with an option that negates CTI certification.

†† Heaviest section is the coil/fan section.

\* Liters shown is water in suspension in unit and piping. Allow for additional water in bottom of remote sump to cover pump suction and strainer during operation (300 mm would normally be sufficient).

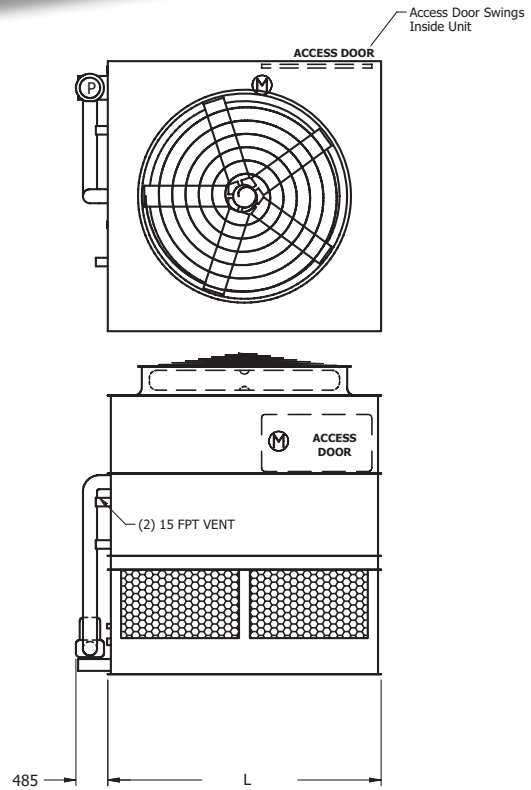
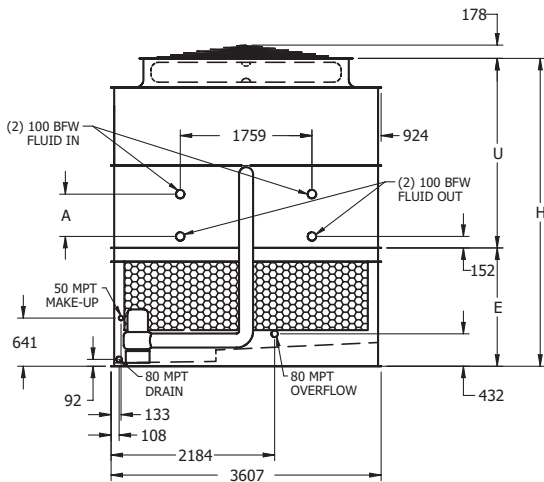
△ When a remote sump arrangement is selected, the spray pump, suction strainer and associated piping are omitted; the unit is provided with an oversized outlet to facilitate drainage to the remote sump.

▲ Unit dimensions and coil connections may vary slightly from catalog. See factory certified prints for dimensions, quantity of coil connections, and piping configuration. Coil connections are 100 mm bevel for weld (BFW). Other connection types such as grooved for mechanical coupling or flanged are also available as options.

# Models: ATWB 12-3J12 to 12-6N12

## Closed Circuit Coolers

Selections for ATWB Closed Circuit Coolers are available from EVAPCO's evapSelect® Equipment Selection Program. Please contact your local sales representative for more information on the evapSelect® program.



**Note:** The number of coil connections doubles when the flow rate exceeds 56 l/s on ATWB 12x12. This required option is referred to as the High Flow coil configuration.

ATWB model number†	Weights (kg)			Fans		Spray Pump		Coil Volume (Liters)	Remote Sump <sup>△</sup>			Dimensions <sup>▲</sup> (mm)				
	Shipping	Heaviest Section	Operating	kW	m <sup>3</sup> /s	kW	l/s		Liters* Req'd.	Conn. Size	Operating Weight (kg)	Height H	Length L	Lower E	Upper U	Coil A
ATWB 12-3J12	6.465	Upper	10.375	11	34,1	4	50,4	1.181	1.855	300	8.580	4.112	3.651	1.581	2.530	565
ATWB 12-3K12	6.490	Upper	10.400	15	37,5	4	50,4	1.181	1.855	300	8.610	4.112	3.651	1.581	2.530	565
ATWB 12-3L12	6.505	Upper	10.415	18,5	40,0	4	50,4	1.181	1.855	300	8.625	4.112	3.651	1.581	2.530	565
ATWB 12-3M12	6.525	Upper	10.435	22	42,1	4	50,4	1.181	1.855	300	8.645	4.112	3.651	1.581	2.530	565
ATWB 12-4J12	7.510	Upper	11.795	11	33,1	4	50,4	1.548	1.855	300	10.000	4.328	3.651	1.581	2.746	781
ATWB 12-4K12	7.540	Upper	11.820	15	36,4	4	50,4	1.548	1.855	300	10.030	4.328	3.651	1.581	2.746	781
ATWB 12-4L12	7.550	Upper	11.835	18,5	38,8	4	50,4	1.548	1.855	300	10.045	4.328	3.651	1.581	2.746	781
ATWB 12-4M12	7.550	Upper	11.855	22	40,8	4	50,4	1.548	1.855	300	10.065	4.328	3.651	1.581	2.746	781
ATWB 12-4N12	7.650	Upper	11.930	30	44,3	4	50,4	1.548	1.855	300	10.140	4.328	3.651	1.581	2.746	781
ATWB 12-5K12	8.530	Upper	13.175	15	35,3	4	50,4	1.919	1.855	300	11.385	4.543	3.651	1.581	2.962	997
ATWB 12-5L12	8.540	Upper	13.190	18,5	37,6	4	50,4	1.919	1.855	300	11.400	4.543	3.651	1.581	2.962	997
ATWB 12-5M12	8.565	Upper	13.215	22	39,6	4	50,4	1.919	1.855	300	11.420	4.543	3.651	1.581	2.962	997
ATWB 12-5N12	8.635	Upper	13.285	30	42,9	4	50,4	1.919	1.855	300	11.495	4.543	3.651	1.581	2.962	997
ATWB 12-6L12	9.610	Upper	14.630	18,5	36,5	4	50,4	2.286	1.855	300	12.835	4.759	3.651	1.581	3.178	1.213
ATWB 12-6M12	9.635	Upper	14.650	22	38,4	4	50,4	2.286	1.855	300	12.860	4.759	3.651	1.581	3.178	1.213
ATWB 12-6N12	9.705	Upper	14.725	30	41,6	4	50,4	2.286	1.855	300	12.930	4.759	3.651	1.581	3.178	1.213

† Model Numbers end in "-Z" for units with Series Flow piping configuration. 4x4 ATWB units are only available in Series Flow and will require crossover piping which can either be supplied by the factory or by others. Model numbers will include "C" for units with Stainless Steel coil(s), "R" for units with Low Sound Fan(s) and "S" for units with an option that negates CTI certification.

†† Heaviest section is the coil/fan section.

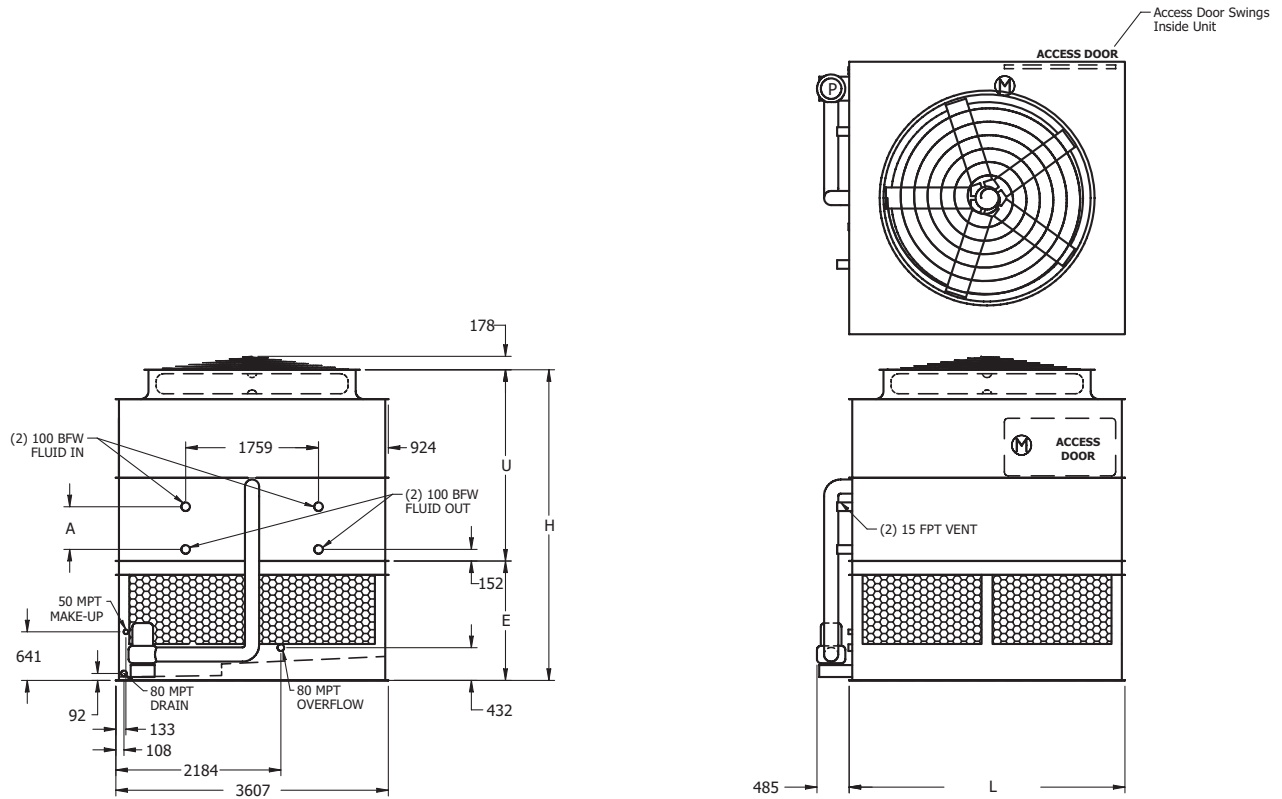
\* Liters shown is water in suspension in unit and piping. Allow for additional water in bottom of remote sump to cover pump suction and strainer during operation (300 mm would normally be sufficient).

△ When a remote sump arrangement is selected, the spray pump, suction strainer and associated piping are omitted; the unit is provided with an oversized outlet to facilitate drainage to the remote sump.

▲ Unit dimensions and coil connections may vary slightly from catalog. See factory certified prints for dimensions, quantity of coil connections, and piping configuration. Coil connections are 100 mm bevel for weld (BFW). Other connection types such as grooved for mechanical coupling or flanged are also available as options.

# Models: ATWB 12-3K14 to 12-6N14

## Closed Circuit Coolers



**Note:** The number of coil connections doubles when the flow rate exceeds 56 l/s on ATWB 12x14 models. This required option is referred to as the High Flow coil configuration.

ATWB model number†	Weights (kg)			Fans		Spray Pump		Coil Volume (Liters)	Remote Sump <sup>△</sup>			Dimensions <sup>▲</sup> (mm)				
	Shipping	Heaviest Section	Operating	kW	m <sup>3</sup> /s	kW	l/s		Liters* Req'd.	Conn. Size	Operating Weight (kg)	Height H	Length L	Lower E	Upper U	Coil A
ATWB 12-3K14	7.355	Upper	11.950	15	41,6	4	56,7	1.370	2.160	300	9.875	4.264	4.261	1.734	2.530	565
ATWB 12-3L14	7.370	Upper	11.960	18,5	44,7	4	56,7	1.370	2.160	300	9.890	4.264	4.261	1.734	2.530	565
ATWB 12-3M14	7.395	Upper	11.985	22	47,0	4	56,7	1.370	2.160	300	9.910	4.264	4.261	1.734	2.530	565
ATWB 12-3N14	7.465	Upper	12.055	30	51,0	4	56,7	1.370	2.160	300	9.985	4.264	4.261	1.734	2.530	565
ATWB 12-4K14	8.575	Upper	13.595	15	40,4	4	56,7	1.802	2.160	300	11.520	4.480	4.261	1.734	2.746	781
ATWB 12-4L14	8.585	Upper	13.610	18,5	43,4	4	56,7	1.802	2.160	300	11.535	4.480	4.261	1.734	2.746	781
ATWB 12-4M14	8.610	Upper	13.630	22	45,6	4	56,7	1.802	2.160	300	11.560	4.480	4.261	1.734	2.746	781
ATWB 12-4N14	8.680	Upper	13.705	30	49,5	4	56,7	1.802	2.160	300	11.630	4.480	4.261	1.734	2.746	781
ATWB 12-5L14	9.725	Upper	15.175	18,5	42,1	4	56,7	2.233	2.160	300	13.105	4.696	4.261	1.734	2.962	997
ATWB 12-5M14	9.750	Upper	15.200	22	44,3	4	56,7	2.233	2.160	300	13.125	4.696	4.261	1.734	2.962	997
ATWB 12-5N14	9.820	Upper	15.270	30	48,0	4	56,7	2.233	2.160	300	13.200	4.696	4.261	1.734	2.962	997
ATWB 12-6L14	11.080	Upper	16.965	18,5	40,8	4	56,7	2.665	2.160	300	14.890	4.912	4.261	1.734	3.178	1.213
ATWB 12-6M14	11.105	Upper	16.985	22	42,9	4	56,7	2.665	2.160	300	14.915	4.912	4.261	1.734	3.178	1.213
ATWB 12-6N14	11.175	Upper	17.060	30	46,5	4	56,7	2.665	2.160	300	14.985	4.912	4.261	1.734	3.178	1.213

† Model Numbers end in "-Z" for units with Series Flow piping configuration. 4x4 ATWB units are only available in Series Flow and will require crossover piping which can either be supplied by the factory or by others. Model numbers will include "C" for units with Stainless Steel coil(s), "R" for units with Low Sound Fan(s) and "S" for units with an option that negates CTI certification.

†† Heaviest section is the coil/fan section.

\* Liters shown is water in suspension in unit and piping. Allow for additional water in bottom of remote sump to cover pump suction and strainer during operation (300 mm would normally be sufficient).

△ When a remote sump arrangement is selected, the spray pump, suction strainer and associated piping are omitted; the unit is provided with an oversized outlet to facilitate drainage to the remote sump.

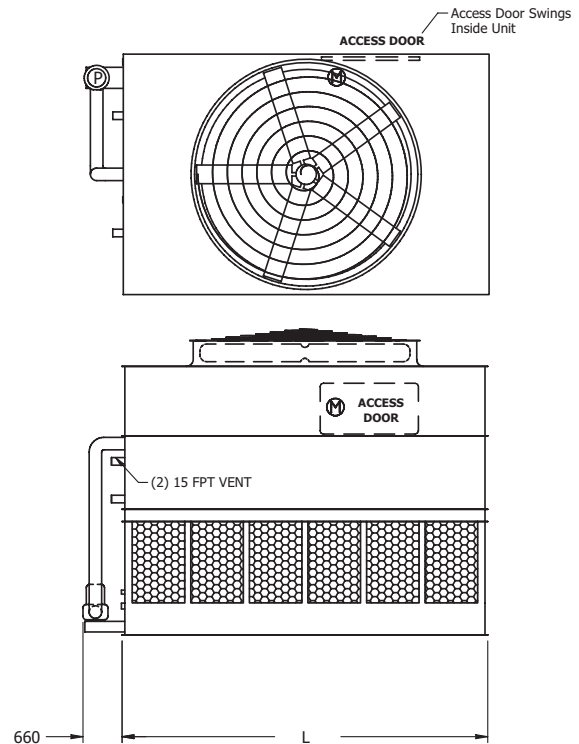
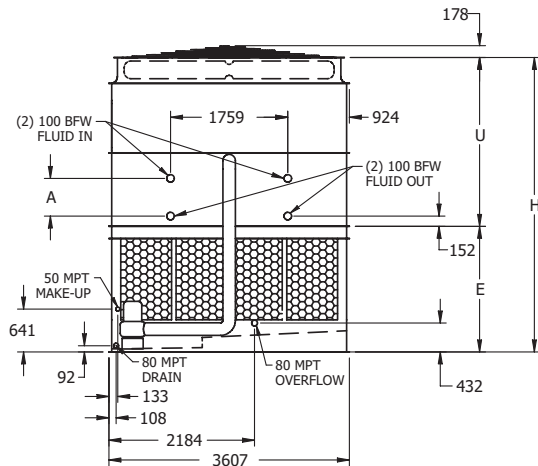
▲ Unit dimensions and coil connections may vary slightly from catalog. See factory certified prints for dimensions, quantity of coil connections, and piping configuration. Coil connections are 100 mm bevel for weld (BFW). Other connection types such as grooved for mechanical coupling or flanged are also available as options.

# Models: ATWB 12-3K18 to 12-6P18

## Closed Circuit Coolers

Selections for ATWB Closed Circuit Coolers are available from EVAPCO's evapSelect® Equipment Selection Program.

Please contact your local sales representative for more information on the evapSelect® program.



**Note:** The number of coil connections doubles when the flow rate exceeds 56 l/s on ATWB 12x18 models. This required option is referred to as the High Flow coil configuration. Optional Dual Fan units will have a "-DF" at the end of the model number in Spectrum. Fan kW and weights may vary.

ATWB model number†	Weights (kg)			Fans		Spray Pump		Coil Volume (Liters)	Remote Sump <sup>△</sup>			Dimensions <sup>▲</sup> (mm)				Coil A
	Shipping	Heaviest Section	Operating	kW	m³/s	kW	l/s		Liters* Req'd.	Conn. Size	Operating Weight (kg)	Height H	Length L	Lower E	Upper U	
ATWB 12-3K18	9.195	Upper	15.065	15	50,8	5,5	75,6	1.745	2.725	300	12.400	4.416	5.486	1.886	2.530	565
ATWB 12-3L18	9.210	Upper	15.075	18,5	54,7	5,5	75,6	1.745	2.725	300	12.415	4.416	5.486	1.886	2.530	565
ATWB 12-3M18	9.230	Upper	15.100	22	58,1	5,5	75,6	1.745	2.725	300	12.435	4.416	5.486	1.886	2.530	565
ATWB 12-3N18	9.305	Upper	15.175	30	63,1	5,5	75,6	1.745	2.725	300	12.510	4.416	5.486	1.886	2.530	565
ATWB 12-4K18	10.750	Upper	17.180	15	49,3	5,5	75,6	2.302	2.725	300	14.515	4.632	5.486	1.886	2.746	781
ATWB 12-4L18	10.765	Upper	17.190	18,5	53,1	5,5	75,6	2.302	2.725	300	14.530	4.632	5.486	1.886	2.746	781
ATWB 12-4M18	10.785	Upper	17.215	22	56,4	5,5	75,6	2.302	2.725	300	14.550	4.632	5.486	1.886	2.746	781
ATWB 12-4N18	10.860	Upper	17.285	30	61,3	5,5	75,6	2.302	2.725	300	14.625	4.632	5.486	1.886	2.746	781
ATWB 12-4O18	10.865	Upper	17.290	37	65,2	5,5	75,6	2.302	2.725	300	14.630	4.632	5.486	1.886	2.746	781
ATWB 12-5L18	12.255	Upper	19.235	18,5	51,5	5,5	75,6	2.858	2.725	300	16.575	4.848	5.486	1.886	2.962	997
ATWB 12-5M18	12.280	Upper	19.260	22	54,7	5,5	75,6	2.858	2.725	300	16.595	4.848	5.486	1.886	2.962	997
ATWB 12-5N18	12.350	Upper	19.330	30	59,4	5,5	75,6	2.858	2.725	300	16.670	4.848	5.486	1.886	2.962	997
ATWB 12-5O18	12.355	Upper	19.335	37	63,2	5,5	75,6	2.858	2.725	300	16.675	4.848	5.486	1.886	2.962	997
ATWB 12-6M18	13.820	Upper	21.360	22	53,0	5,5	75,6	3.418	2.725	300	18.695	5.064	5.486	1.886	3.178	1.213
ATWB 12-6N18	13.895	Upper	21.430	30	57,6	5,5	75,6	3.418	2.725	300	18.770	5.064	5.486	1.886	3.178	1.213
ATWB 12-6O18	13.900	Upper	21.435	37	61,3	5,5	75,6	3.418	2.725	300	18.775	5.064	5.486	1.886	3.178	1.213
ATWB 12-6P18	13.990	Upper	21.525	45	64,5	5,5	75,6	3.418	2.725	300	18.865	5.064	5.486	1.886	3.178	1.213

† Model Numbers end in "-Z" for units with Series Flow piping configuration. 4x4 ATWB units are only available in Series Flow and will require crossover piping which can either be supplied by the factory or by others. Model numbers will include "C" for units with Stainless Steel coil(s), "R" for units with Low Sound Fan(s) and "S" for units with an option that negates CTI certification.

†† Heaviest section is the coil/fan section.

\* Liters shown is water in suspension in unit and piping. Allow for additional water in bottom of remote sump to cover pump suction and strainer during operation (300 mm would normally be sufficient).

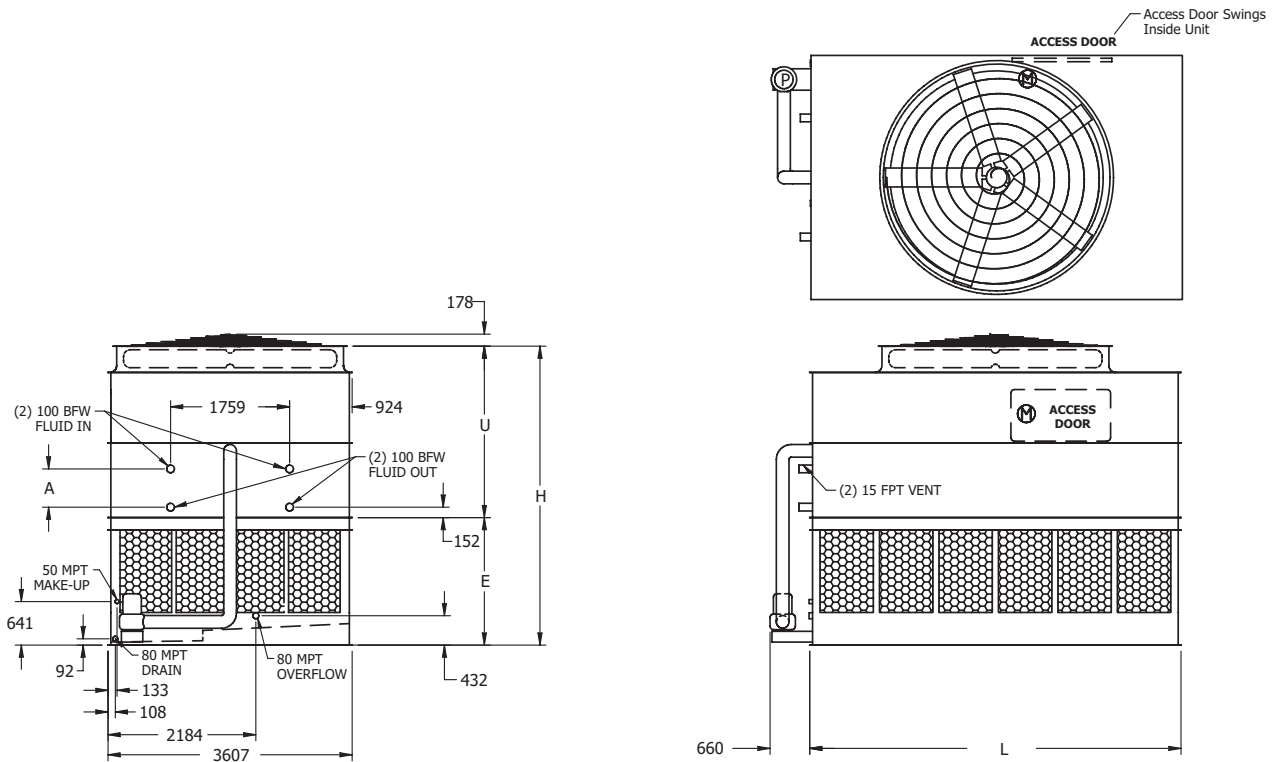
△ When a remote sump arrangement is selected, the spray pump, suction strainer and associated piping are omitted; the unit is provided with an oversized outlet to facilitate drainage to the remote sump.

▲ Unit dimensions and coil connections may vary slightly from catalog. See factory certified prints for dimensions, quantity of coil connections, and piping configuration. Coil connections are 100 mm bevel for weld (BFW). Other connection types such as grooved for mechanical coupling or flanged are also available as options.



# Models: ATWB 12-3L20 to 12-6P20

## Closed Circuit Coolers



**Note:** The number of coil connections doubles when the flow rate exceeds 56 l/s on ATWB 12x20 models. This required option is referred to as the High Flow coil configuration. Optional Dual Fan units will have a "-DF" at the end of the model number in Spectrum. Fan kW and weights may vary.

ATWB model number†	Weights (kg)			Fans		Spray Pump		Coil Volume (Liters)	Remote Sump <sup>△</sup>			Dimensions <sup>▲</sup> (mm)				
	Shipping	Heaviest Section	Operating	kW	m <sup>3</sup> /s	kW	l/s		Liters* Req'd.	Conn. Size	Operating Weight (kg)	Height H	Length L	Lower E	Upper U	Coil A
ATWB 12-3L20	10.145	Upper	16.710	18,5	58,7	7,5	88,2	1.934	3.030	350	13.670	4.416	6.096	1.886	2.530	565
ATWB 12-3M20	10.170	Upper	16.735	22	62,4	7,5	88,2	1.934	3.030	350	13.695	4.416	6.096	1.886	2.530	565
ATWB 12-3N20	10.240	Upper	16.805	30	68,1	7,5	88,2	1.934	3.030	350	13.765	4.416	6.096	1.886	2.530	565
ATWB 12-3O20	10.245	Upper	16.810	37	72,5	7,5	88,2	1.934	3.030	350	13.770	4.416	6.096	1.886	2.530	565
ATWB 12-4L20	11.860	Upper	19.045	18,5	57,0	7,5	88,2	2.555	3.030	350	16.005	4.632	6.096	1.886	2.746	781
ATWB 12-4M20	11.885	Upper	19.070	22	60,5	7,5	88,2	2.555	3.030	350	16.030	4.632	6.096	1.886	2.746	781
ATWB 12-4N20	11.955	Upper	19.140	30	66,1	7,5	88,2	2.555	3.030	350	16.105	4.632	6.096	1.886	2.746	781
ATWB 12-4O20	11.960	Upper	19.145	37	70,3	7,5	88,2	2.555	3.030	350	16.105	4.632	6.096	1.886	2.746	781
ATWB 12-5M20	13.555	Upper	21.360	22	58,7	7,5	88,2	3.172	3.030	350	18.320	4.848	6.096	1.886	2.962	997
ATWB 12-5N20	13.625	Upper	21.430	30	64,1	7,5	88,2	3.172	3.030	350	18.395	4.848	6.096	1.886	2.962	997
ATWB 12-5O20	13.630	Upper	21.435	37	68,2	7,5	88,2	3.172	3.030	350	18.400	4.848	6.096	1.886	2.962	997
ATWB 12-5P20	13.720	Upper	21.525	45	71,8	7,5	88,2	3.172	3.030	350	18.490	4.848	6.096	1.886	2.962	997
ATWB 12-6N20	15.505	Upper	23.925	30	62,1	7,5	88,2	3.793	3.030	350	20.890	5.064	6.096	1.886	3.178	1.213
ATWB 12-6O20	15.510	Upper	23.930	37	66,1	7,5	88,2	3.793	3.030	350	20.890	5.064	6.096	1.886	3.178	1.213
ATWB 12-6P20	15.600	Upper	24.020	45	69,6	7,5	88,2	3.793	3.030	350	20.985	5.064	6.096	1.886	3.178	1.213

† Model Numbers end in "-Z" for units with Series Flow piping configuration. 4x4 ATWB units are only available in Series Flow and will require crossover piping which can either be supplied by the factory or by others. Model numbers will include "C" for units with Stainless Steel coil(s), "R" for units with Low Sound Fan(s) and "S" for units with an option that negates CTI certification.

†† Heaviest section is the coil/fan section.

\* Liters shown is water in suspension in unit and piping. Allow for additional water in bottom of remote sump to cover pump suction and strainer during operation (300 mm would normally be sufficient).

△ When a remote sump arrangement is selected, the spray pump, suction strainer and associated piping are omitted; the unit is provided with an oversized outlet to facilitate drainage to the remote sump.

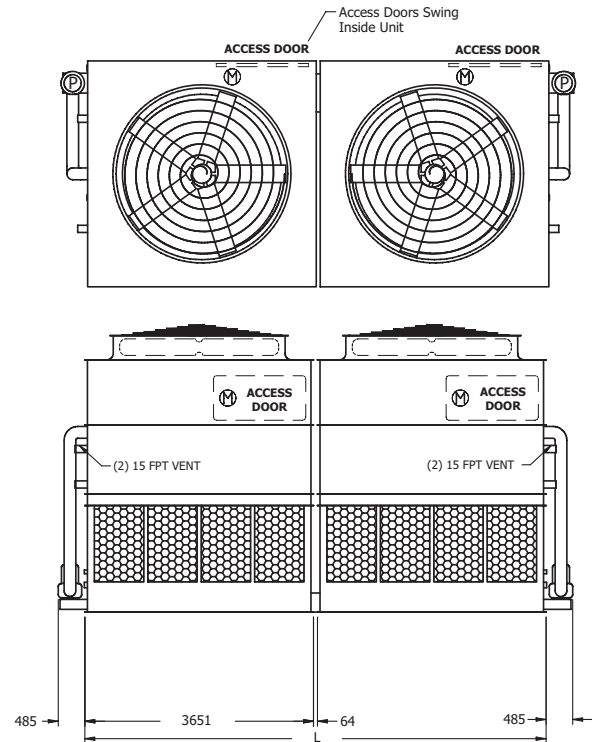
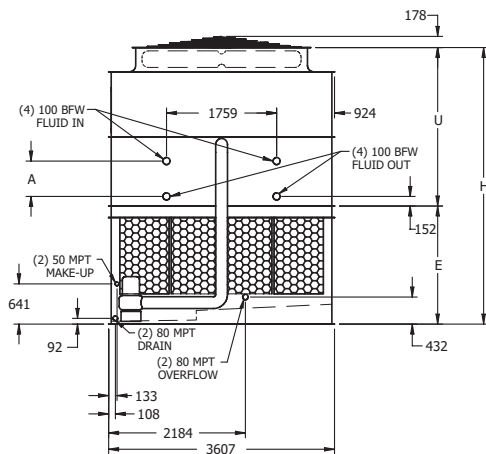
▲ Unit dimensions and coil connections may vary slightly from catalog. See factory certified prints for dimensions, quantity of coil connections, and piping configuration. Coil connections are 100 mm bevel for weld (BFW). Other connection types such as grooved for mechanical coupling or flanged are also available as options.

# Models: ATWB 12-3J24 to 12-6N24

## Closed Circuit Coolers

Selections for ATWB Closed Circuit Coolers are available from EVAPCO's evapSelect® Equipment Selection Program.

Please contact your local sales representative for more information on the evapSelect® program.



**Note:** The number of coil connections doubles when the flow rate exceeds 112 l/s on ATWB 12x24 models. This required option is referred to as the High Flow coil configuration.

ATWB model number†	Weights (kg)			Fans		Spray Pump		Coil Volume (Liters)	Remote Sump <sup>△</sup>			Dimensions <sup>▲</sup> (mm)				
	Shipping	Heaviest Section	Operating	kW	m <sup>3</sup> /s	kW	l/s		Liters* Req'd.	Conn. Size	Operating Weight (kg)	Height H	Length L	Lower E	Upper U	Coil A
ATWB 12-3J24	12.925	Upper	20.745	11	68,2	4	50,4	2.358	3.710	300	17.165	4.416	7.366	1.886	2.530	565
ATWB 12-3K24	12.980	Upper	20.800	15	75,0	4	50,4	2.358	3.710	300	17.220	4.416	7.366	1.886	2.530	565
ATWB 12-3L24	13.010	Upper	20.830	18,5	79,9	4	50,4	2.358	3.710	300	17.245	4.416	7.366	1.886	2.530	565
ATWB 12-3M24	13.055	Upper	20.875	22	84,1	4	50,4	2.358	3.710	300	17.290	4.416	7.366	1.886	2.530	565
ATWB 12-4K24	15.075	Upper	23.640	15	72,8	4	50,4	3.096	3.710	300	20.060	4.632	7.366	1.886	2.746	781
ATWB 12-4L24	15.105	Upper	23.670	18,5	77,6	4	50,4	3.096	3.710	300	20.085	4.632	7.366	1.886	2.746	781
ATWB 12-4M24	15.150	Upper	23.715	22	81,7	4	50,4	3.096	3.710	300	20.130	4.632	7.366	1.886	2.746	781
ATWB 12-4N24	15.295	Upper	23.860	30	88,5	4	50,4	3.096	3.710	300	20.275	4.632	7.366	1.886	2.746	781
ATWB 12-5K24	17.055	Upper	26.355	15	70,6	4	50,4	3.835	3.710	300	22.770	4.848	7.366	1.886	2.962	997
ATWB 12-5L24	17.080	Upper	26.380	18,5	75,3	4	50,4	3.835	3.710	300	22.800	4.848	7.366	1.886	2.962	997
ATWB 12-5M24	17.130	Upper	26.425	22	79,2	4	50,4	3.835	3.710	300	22.845	4.848	7.366	1.886	2.962	997
ATWB 12-5N24	17.275	Upper	26.570	30	85,9	4	50,4	3.835	3.710	300	22.990	4.848	7.366	1.886	2.962	997
ATWB 12-6L24	19.225	Upper	29.255	18,5	73,0	4	50,4	4.573	3.710	300	25.675	5.064	7.366	1.886	3.178	1.213
ATWB 12-6M24	19.270	Upper	29.300	22	76,8	4	50,4	4.573	3.710	300	25.720	5.064	7.366	1.886	3.178	1.213
ATWB 12-6N24	19.415	Upper	29.445	30	83,2	4	50,4	4.573	3.710	300	25.865	5.064	7.366	1.886	3.178	1.213

† Model Numbers end in "-Z" for units with Series Flow piping configuration. 4x4 ATWB units are only available in Series Flow and will require crossover piping which can either be supplied by the factory or by others. Model numbers will include "C" for units with Stainless Steel coil(s), "R" for units with Low Sound Fan(s) and "S" for units with an option that negates CTI certification.

†† Heaviest section is the coil/fan section.

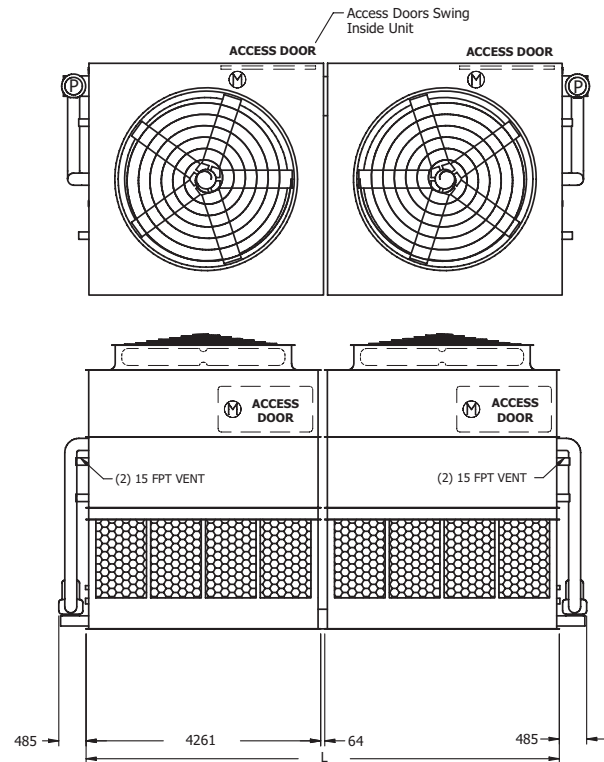
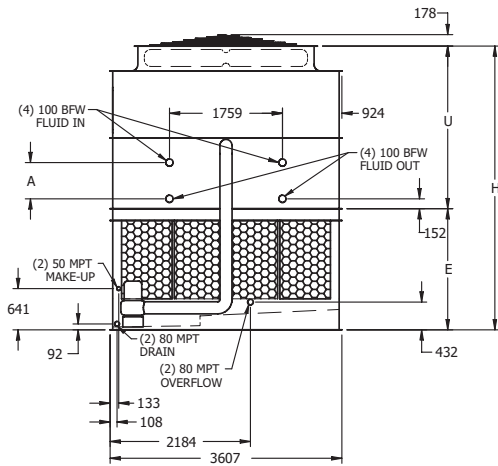
\* Liters shown is water in suspension in unit and piping. Allow for additional water in bottom of remote sump to cover pump suction and strainer during operation (300 mm would normally be sufficient).

△ When a remote sump arrangement is selected, the spray pump, suction strainer and associated piping are omitted; the unit is provided with an oversized outlet to facilitate drainage to the remote sump.

▲ Unit dimensions and coil connections may vary slightly from catalog. See factory certified prints for dimensions, quantity of coil connections, and piping configuration. Coil connections are 100 mm bevel for weld (BFW). Other connection types such as grooved for mechanical coupling or flanged are also available as options.

# Models: ATWB 12-3K28 to 12-6N28

## Closed Circuit Coolers



**Note:** The number of coil connections doubles when the flow rate exceeds 112 l/s on ATWB 12x28 models. This required option is referred to as the High Flow coil configuration.

ATWB model number†	Weights (kg)			Fans		Spray Pump		Coil Volume (Liters)	Remote Sump <sup>△</sup>			Dimensions <sup>▲</sup> (mm)				
	Shipping	Heaviest Section	Operating	kW	m <sup>3</sup> /s	kW	l/s		Liters* Req'd.	Conn. Size	Operating Weight (kg)	Height H	Length L	Lower E	Upper U	Coil A
ATWB 12-3K28	14.715	Upper	23.895	15	83,1	4	56,7	2.737	4.315	300	19.750	4.721	8.585	2.191	2.530	565
ATWB 12-3L28	14.740	Upper	23.920	18,5	89,3	4	56,7	2.737	4.315	300	19.775	4.721	8.585	2.191	2.530	565
ATWB 12-3M28	14.785	Upper	23.970	22	94,0	4	56,7	2.737	4.315	300	19.820	4.721	8.585	2.191	2.530	565
ATWB 12-3N28	14.930	Upper	24.115	30	101,9	4	56,7	2.737	4.315	300	19.965	4.721	8.585	2.191	2.530	565
ATWB 12-4K28	17.145	Upper	27.190	15	80,7	4	56,7	3.600	4.315	300	23.040	4.937	8.585	2.191	2.746	781
ATWB 12-4L28	17.175	Upper	27.215	18,5	86,7	4	56,7	3.600	4.315	300	23.070	4.937	8.585	2.191	2.746	781
ATWB 12-4M28	17.220	Upper	27.260	22	91,3	4	56,7	3.600	4.315	300	23.115	4.937	8.585	2.191	2.746	781
ATWB 12-4N28	17.365	Upper	27.405	30	98,9	4	56,7	3.600	4.315	300	23.260	4.937	8.585	2.191	2.746	781
ATWB 12-5L28	19.450	Upper	30.355	18,5	84,1	4	56,7	4.463	4.315	300	26.210	5.153	8.585	2.191	2.962	997
ATWB 12-5M28	19.495	Upper	30.400	22	88,5	4	56,7	4.463	4.315	300	26.255	5.153	8.585	2.191	2.962	997
ATWB 12-5N28	19.640	Upper	30.545	30	96,0	4	56,7	4.463	4.315	300	26.400	5.153	8.585	2.191	2.962	997
ATWB 12-6L28	22.165	Upper	33.930	18,5	81,5	4	56,7	5.326	4.315	300	29.785	5.369	8.585	2.191	3.178	1.213
ATWB 12-6M28	22.210	Upper	33.975	22	85,8	4	56,7	5.326	4.315	300	29.830	5.369	8.585	2.191	3.178	1.213
ATWB 12-6N28	22.355	Upper	34.120	30	93,0	4	56,7	5.326	4.315	300	29.975	5.369	8.585	2.191	3.178	1.213

† Model Numbers end in "-Z" for units with Series Flow piping configuration. 4x4 ATWB units are only available in Series Flow and will require crossover piping which can either be supplied by the factory or by others. Model numbers will include "C" for units with Stainless Steel coil(s), "R" for units with Low Sound Fan(s) and "S" for units with an option that negates CTI certification.

†† Heaviest section is the coil/fan section.

\* Liters shown is water in suspension in unit and piping. Allow for additional water in bottom of remote sump to cover pump suction and strainer during operation (300 mm would normally be sufficient).

△ When a remote sump arrangement is selected, the spray pump, suction strainer and associated piping are omitted; the unit is provided with an oversized outlet to facilitate drainage to the remote sump.

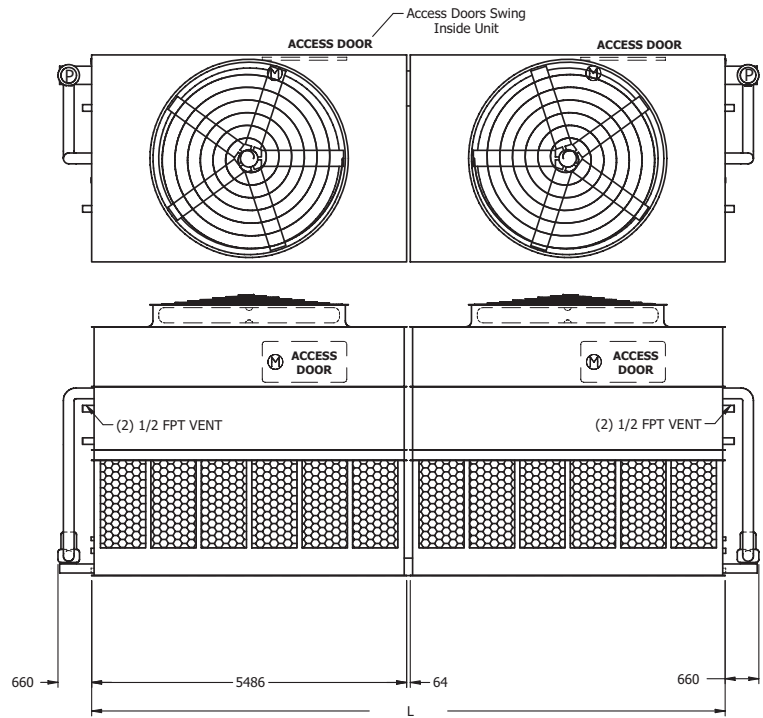
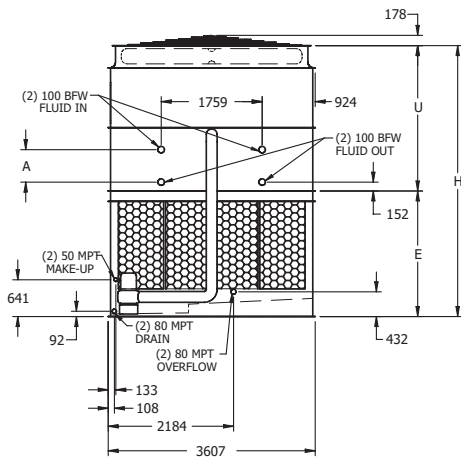
▲ Unit dimensions and coil connections may vary slightly from catalog. See factory certified prints for dimensions, quantity of coil connections, and piping configuration. Coil connections are 100 mm bevel for weld (BFW). Other connection types such as grooved for mechanical coupling or flanged are also available as options.

# Models: ATWB 12-3K36 to 12-6P36

## Closed Circuit Coolers

Selections for ATWB Closed Circuit Coolers are available from EVAPCO's evapSelect® Equipment Selection Program.

Please contact your local sales representative for more information on the evapSelect® program.



**Note:** The number of coil connections doubles when the flow rate exceeds 112 l/s on ATWB 12x36 models. This required option is referred to as the High Flow coil configuration. Optional Dual Fan units will have a "-DF" at the end of the model number in Spectrum. Fan kW and weights may vary.

ATWB model number†	Weights (kg)			Fans		Spray Pump		Coil Volume (Liters)	Remote Sump <sup>△</sup>			Dimensions <sup>▲</sup> (mm)				
	Ship-ping	Heaviest Section	Operating	kW	m <sup>3</sup> /s	kW	l/s		Liters* Req'd.	Conn. Size	Operating Weight (kg)	Height H	Length L	Lower E	Upper U	Coil A
ATWB 12-3K36	18.390	Upper	30.130	15	101,6	5,5	75,6	3.490	5.450	300	24.800	4.721	11.036	2.191	2.530	565
ATWB 12-3L36	18.415	Upper	30.155	18,5	109,4	5,5	75,6	3.490	5.450	300	24.830	4.721	11.036	2.191	2.530	565
ATWB 12-3M36	18.460	Upper	30.200	22	116,3	5,5	75,6	3.490	5.450	300	24.875	4.721	11.036	2.191	2.530	565
ATWB 12-3N36	18.605	Upper	30.345	30	126,2	5,5	75,6	3.490	5.450	300	25.020	4.721	11.036	2.191	2.530	565
ATWB 12-4K36	21.500	Upper	34.355	15	98,6	5,5	75,6	4.603	5.450	300	29.030	4.937	11.036	2.191	2.746	781
ATWB 12-4L36	21.525	Upper	34.380	18,5	106,2	5,5	75,6	4.603	5.450	300	29.055	4.937	11.036	2.191	2.746	781
ATWB 12-4M36	21.575	Upper	34.430	22	112,9	5,5	75,6	4.603	5.450	300	29.100	4.937	11.036	2.191	2.746	781
ATWB 12-4N36	21.720	Upper	34.575	30	122,5	5,5	75,6	4.603	5.450	300	29.250	4.937	11.036	2.191	2.746	781
ATWB xi2-4O36	21.725	Upper	34.580	37	130,4	5,5	75,6	4.603	5.450	300	29.255	4.937	11.036	2.191	2.746	781
ATWB 12-5L36	24.510	Upper	38.475	18,5	103,0	5,5	75,6	5.716	5.450	300	33.150	5.153	11.036	2.191	2.962	997
ATWB 12-5M36	24.555	Upper	38.520	22	109,5	5,5	75,6	5.716	5.450	300	33.195	5.153	11.036	2.191	2.962	997
ATWB 12-5N36	24.705	Upper	38.665	30	118,8	5,5	75,6	5.716	5.450	300	33.340	5.153	11.036	2.191	2.962	997
ATWB 12-5O36	24.710	Upper	38.675	37	126,5	5,5	75,6	5.716	5.450	300	33.350	5.153	11.036	2.191	2.962	997
ATWB 12-6M36	27.640	Upper	42.720	22	106,1	5,5	75,6	6.833	5.450	300	37.395	5.369	11.036	2.191	3.178	1.213
ATWB 12-6N36	27.785	Upper	42.865	30	115,1	5,5	75,6	6.833	5.450	300	37.540	5.369	11.036	2.191	3.178	1.213
ATWB 12-6O36	27.795	Upper	42.875	37	122,6	5,5	75,6	6.833	5.450	300	37.550	5.369	11.036	2.191	3.178	1.213
ATWB 12-6P36	27.980	Upper	43.055	45	129,0	5,5	75,6	6.833	5.450	300	37.730	5.369	11.036	2.191	3.178	1.213

† Model Numbers end in "-Z" for units with Series Flow piping configuration. 4x4 ATWB units are only available in Series Flow and will require crossover piping which can either be supplied by the factory or by others. Model numbers will include "C" for units with Stainless Steel coil(s), "R" for units with Low Sound Fan(s) and "S" for units with an option that negates CTI certification.

†† Heaviest section is the coil/fan section.

\* Liters shown is water in suspension in unit and piping. Allow for additional water in bottom of remote sump to cover pump suction and strainer during operation (300 mm would normally be sufficient).

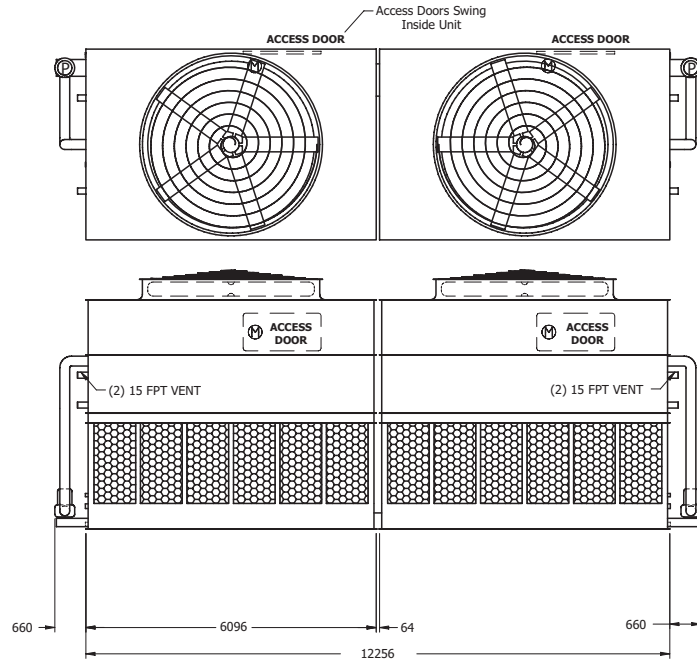
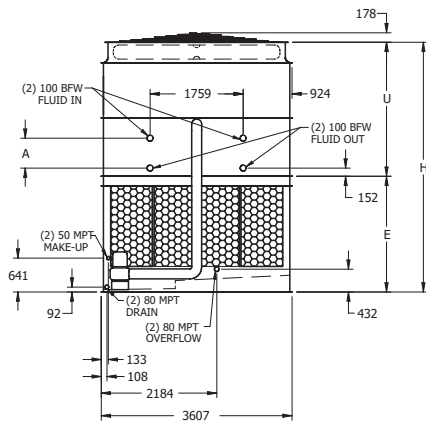
△ When a remote sump arrangement is selected, the spray pump, suction strainer and associated piping are omitted; the unit is provided with an oversized outlet to facilitate drainage to the remote sump.

▲ Unit dimensions and coil connections may vary slightly from catalog. See factory certified prints for dimensions, quantity of coil connections, and piping configuration. Coil connections are 100 mm bevel for weld (BFW). Other connection types such as grooved for mechanical coupling or flanged are also available as options.



# Models: ATWB 12-3L40 to 12-6P40

## Closed Circuit Coolers



**Note:** The number of coil connections doubles when the flow rate exceeds 112 l/s on eco-ATWB 12x40 models. This required option is referred to as the High Flow coil configuration. Optional Dual Fan units will have a "-DF" at the end of the model number in Spectrum. Fan kW and weights may vary.

ATWB model number†	Weights (kg)			Fans		Spray Pump		Coil Volume (Liters)	Remote Sump <sup>Δ</sup>			Dimensions <sup>▲</sup> (mm)				
	Shipping	Heaviest Section	Operating	kW	m <sup>3</sup> /s	kW	l/s		Liters* Req'd.	Conn. Size	Operating Weight (kg)	Height H	Length L	Lower E	Upper U	Coil A
ATWB 12-3L40	20.295	Upper	33.420	18,5	117,4	7,5	88,2	3.865	6.055	350	27.345	4.721	12.256	2.191	2.530	565
ATWB 12-3M40	20.340	Upper	33.465	22	124,7	7,5	88,2	3.865	6.055	350	27.390	4.721	12.256	2.191	2.530	565
ATWB 12-3N40	20.485	Upper	33.610	30	136,1	7,5	88,2	3.865	6.055	350	27.535	4.721	12.256	2.191	2.530	565
ATWB 12-3O40	20.495	Upper	33.620	37	144,9	7,5	88,2	3.865	6.055	350	27.540	4.721	12.256	2.191	2.530	565
ATWB 12-4L40	23.725	Upper	38.095	18,5	113,9	7,5	88,2	5.107	6.055	350	32.015	4.937	12.256	2.191	2.746	781
ATWB 12-4M40	23.770	Upper	38.140	22	121,1	7,5	88,2	5.107	6.055	350	32.060	4.937	12.256	2.191	2.746	781
ATWB 12-4N40	23.915	Upper	38.285	30	132,2	7,5	88,2	5.107	6.055	350	32.205	4.937	12.256	2.191	2.746	781
ATWB 12-4O40	23.920	Upper	38.290	37	140,7	7,5	88,2	5.107	6.055	350	32.215	4.937	12.256	2.191	2.746	781
ATWB 12-5M40	27.105	Upper	42.720	22	117,5	7,5	88,2	6.344	6.055	350	36.640	5.153	12.256	2.191	2.962	997
ATWB 12-5N40	27.250	Upper	42.865	30	128,2	7,5	88,2	6.344	6.055	350	36.785	5.153	12.256	2.191	2.962	997
ATWB 12-5O40	27.260	Upper	42.875	37	136,5	7,5	88,2	6.344	6.055	350	36.795	5.153	12.256	2.191	2.962	997
ATWB 12-5P40	27.440	Upper	43.055	45	143,6	7,5	88,2	6.344	6.055	350	36.975	5.153	12.256	2.191	2.962	997
ATWB 12-6N40	31.010	Upper	47.855	30	124,2	7,5	88,2	7.586	6.055	350	41.775	5.369	12.256	2.191	3.178	1.213
ATWB 12-6O40	31.015	Upper	47.865	37	132,2	7,5	88,2	7.586	6.055	350	41.785	5.369	12.256	2.191	3.178	1.213
ATWB 12-6P40	31.200	Upper	48.045	45	139,2	7,5	88,2	7.586	6.055	350	41.965	5.369	12.256	2.191	3.178	1.213

† Model Numbers end in "-Z" for units with Series Flow piping configuration. 4x4 ATWB units are only available in Series Flow and will require crossover piping which can either be supplied by the factory or by others. Model numbers will include "C" for units with Stainless Steel coil(s), "R" for units with Low Sound Fan(s) and "S" for units with an option that negates CTI certification.

†† Heaviest section is the coil/fan section.

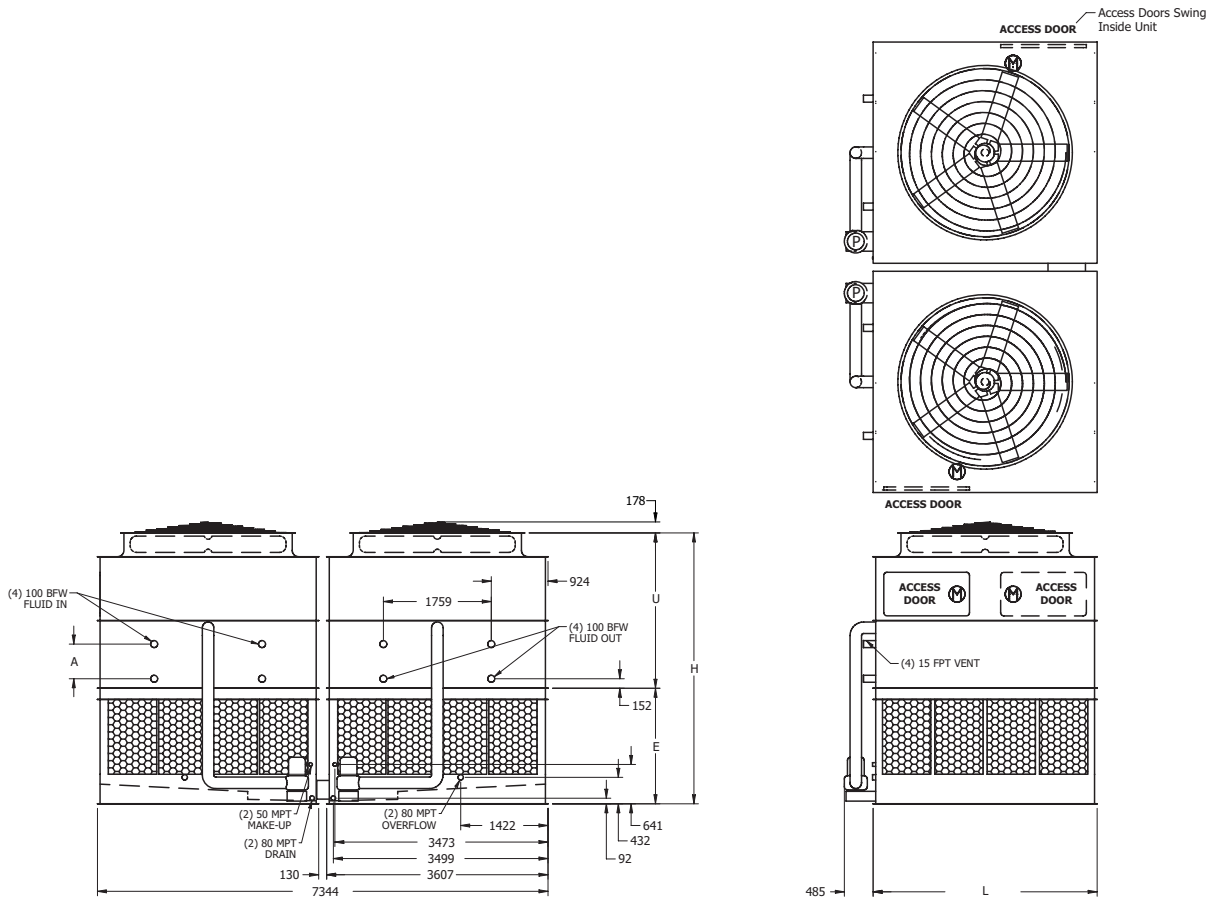
\* Liters shown is water in suspension in unit and piping. Allow for additional water in bottom of remote sump to cover pump suction and strainer during operation (300 mm would normally be sufficient).

Δ When a remote sump arrangement is selected, the spray pump, suction strainer and associated piping are omitted; the unit is provided with an oversized outlet to facilitate drainage to the remote sump.

▲ Unit dimensions and coil connections may vary slightly from catalog. See factory certified prints for dimensions, quantity of coil connections, and piping configuration. Coil connections are 100 mm bevel for weld (BFW). Other connection types such as grooved for mechanical coupling or flanged are also available as options.

# Models: ATWB 24-3J12 to 24-6N12

Closed Circuit Coolers



**Note:** The number of coil connections doubles when the flow rate exceeds 112 l/s on ATWB 24x12 models. This required option is referred to as the High Flow coil configuration.

ATWB model number†	Weights (kg)			Fans		Spray Pump		Coil Volume (Liters)	Remote Sump <sup>Δ</sup>			Dimensions <sup>▲</sup> (mm)				
	Shipping	Heaviest Section	Operating	kW	m <sup>3</sup> /s	kW	l/s		Liters* Req'd.	Conn. Size	Operating Weight (kg)	Height H	Length L	Lower E	Upper U	Coil A
ATWB 24-3J12	12.925	Upper	20.745	11	68,2	4	50,4	2.358	3.710	300	17.165	4.416	3.651	1.886	2.530	565
ATWB 24-3K12	12.980	Upper	20.800	15	75,0	4	50,4	2.358	3.710	300	17.220	4.416	3.651	1.886	2.530	565
ATWB 24-3L12	13.010	Upper	20.830	18,5	79,9	4	50,4	2.358	3.710	300	17.245	4.416	3.651	1.886	2.530	565
ATWB 24-3M12	13.055	Upper	20.875	22	84,1	4	50,4	2.358	3.710	300	17.290	4.416	3.651	1.886	2.530	565
ATWB 24-4K12	15.075	Upper	23.640	15	72,8	4	50,4	3.096	3.710	300	20.060	4.632	3.651	1.886	2.746	781
ATWB 24-4L12	15.105	Upper	23.670	18,5	77,6	4	50,4	3.096	3.710	300	20.085	4.632	3.651	1.886	2.746	781
ATWB 24-4M12	15.150	Upper	23.715	22	81,7	4	50,4	3.096	3.710	300	20.130	4.632	3.651	1.886	2.746	781
ATWB 24-4N12	15.295	Upper	23.860	30	88,5	4	50,4	3.096	3.710	300	20.275	4.632	3.651	1.886	2.746	781
ATWB 24-5K12	17.055	Upper	26.355	15	70,6	4	50,4	3.835	3.710	300	22.770	4.848	3.651	1.886	2.962	997
ATWB 24-5L12	17.080	Upper	26.380	18,5	75,3	4	50,4	3.835	3.710	300	22.800	4.848	3.651	1.886	2.962	997
ATWB 24-5M12	17.130	Upper	26.425	22	79,2	4	50,4	3.835	3.710	300	22.845	4.848	3.651	1.886	2.962	997
ATWB 24-5N12	17.275	Upper	26.570	30	85,9	4	50,4	3.835	3.710	300	22.990	4.848	3.651	1.886	2.962	997
ATWB 24-6L12	19.225	Upper	29.255	18,5	73,0	4	50,4	4.573	3.710	300	25.675	5.064	3.651	1.886	3.178	1.213
ATWB 24-6M12	19.270	Upper	29.300	22	76,8	4	50,4	4.573	3.710	300	25.720	5.064	3.651	1.886	3.178	1.213
ATWB 24-6N12	19.415	Upper	29.445	30	83,2	4	50,4	4.573	3.710	300	25.865	5.064	3.651	1.886	3.178	1.213

† Model Numbers end in "-Z" for units with Series Flow piping configuration. 4x4 ATWB units are only available in Series Flow and will require crossover piping which can either be supplied by the factory or by others. Model numbers will include "C" for units with Stainless Steel coil(s), "R" for units with Low Sound Fan(s) and "S" for units with an option that negates CTI certification.

†† Heaviest section is the coil/fan section.

\* Liters shown is water in suspension in unit and piping. Allow for additional water in bottom of remote sump to cover pump suction and strainer during operation (300 mm would normally be sufficient).

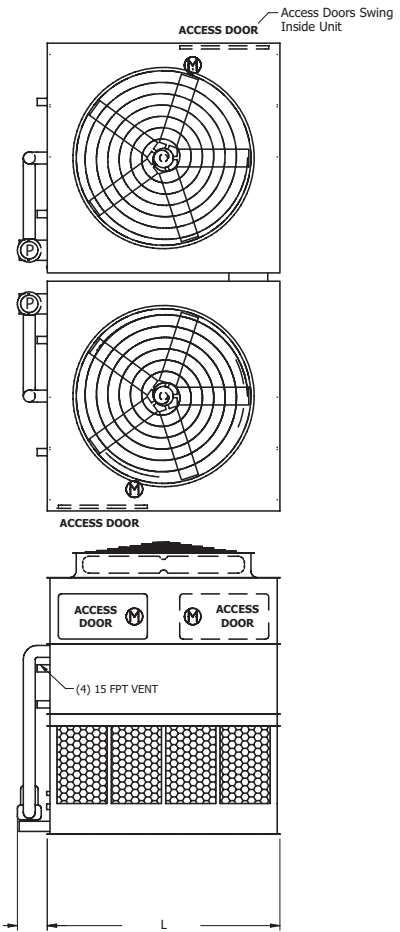
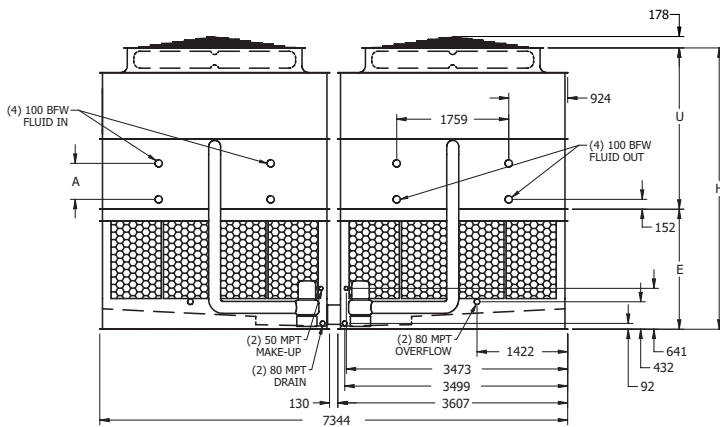
Δ When a remote sump arrangement is selected, the spray pump, suction strainer and associated piping are omitted; the unit is provided with an oversized outlet to facilitate drainage to the remote sump.

▲ Unit dimensions and coil connections may vary slightly from catalog. See factory certified prints for dimensions, quantity of coil connections, and piping configuration. Coil connections are 100 mm bevel for weld (BFW). Other connection types such as grooved for mechanical coupling or flanged are also available as options.

# Models: 24-3K14 to 24-6N14

## Closed Circuit Coolers

Selections for ATWB Closed Circuit Coolers are available from EVAPCO's evapSelect® Equipment Selection Program. Please contact your local sales representative for more information on the evapSelect® program.



**Note:** The number of coil connections doubles when the flow rate exceeds 112 l/s on ATWB 24x14 models. This required option is referred to as the High Flow coil configuration.

ATWB model number†	Weights (kg)			Fans		Spray Pump		Coil Volume (Liters)	Remote Sump <sup>Δ</sup>			Dimensions <sup>▲</sup> (mm)				
	Shipping	Heaviest Section	Operating	kW	m <sup>3</sup> /s	kW	l/s		Liters* Req'd.	Conn. Size	Operating Weight (kg)	Height H	Length L	Lower E	Upper U	Coil A
ATWB 24-3K14	14.715	Upper	23.895	15	83,1	4	56,7	2.737	4.315	300	19.750	4.721	4.261	2.191	2.530	565
ATWB 24-3L14	14.740	Upper	23.920	18,5	89,3	4	56,7	2.737	4.315	300	19.775	4.721	4.261	2.191	2.530	565
ATWB 24-3M14	14.785	Upper	23.970	22	94,0	4	56,7	2.737	4.315	300	19.820	4.721	4.261	2.191	2.530	565
ATWB 24-3N14	14.930	Upper	24.115	30	101,9	4	56,7	2.737	4.315	300	19.965	4.721	4.261	2.191	2.530	565
ATWB 24-4K14	17.145	Upper	27.190	15	80,7	4	56,7	3.600	4.315	300	23.040	4.937	4.261	2.191	2.746	781
ATWB 24-4L14	17.175	Upper	27.215	18,5	86,7	4	56,7	3.600	4.315	300	23.070	4.937	4.261	2.191	2.746	781
ATWB 24-4M14	17.220	Upper	27.260	22	91,3	4	56,7	3.600	4.315	300	23.115	4.937	4.261	2.191	2.746	781
ATWB 24-4N14	17.365	Upper	27.405	30	98,9	4	56,7	3.600	4.315	300	23.260	4.937	4.261	2.191	2.746	781
ATWB 24-5L14	19.450	Upper	30.355	18,5	84,1	4	56,7	4.463	4.315	300	26.210	5.153	4.261	2.191	2.962	997
ATWB 24-5M14	19.495	Upper	30.400	22	88,5	4	56,7	4.463	4.315	300	26.255	5.153	4.261	2.191	2.962	997
ATWB 24-5N14	19.640	Upper	30.545	30	96,0	4	56,7	4.463	4.315	300	26.400	5.153	4.261	2.191	2.962	997
ATWB 24-6L14	22.165	Upper	33.930	18,5	81,5	4	56,7	5.326	4.315	300	29.785	5.369	4.261	2.191	3.178	1.213
ATWB 24-6M14	22.210	Upper	33.975	22	85,8	4	56,7	5.326	4.315	300	29.830	5.369	4.261	2.191	3.178	1.213
ATWB 24-6N14	22.355	Upper	34.120	30	93,0	4	56,7	5.326	4.315	300	29.975	5.369	4.261	2.191	3.178	1.213

† Model Numbers end in "-Z" for units with Series Flow piping configuration. 4x4 ATWB units are only available in Series Flow and will require crossover piping which can either be supplied by the factory or by others. Model numbers will include "C" for units with Stainless Steel coil(s), "R" for units with Low Sound Fan(s) and "S" for units with an option that negates CTI certification.

†† Heaviest section is the coil/fan section.

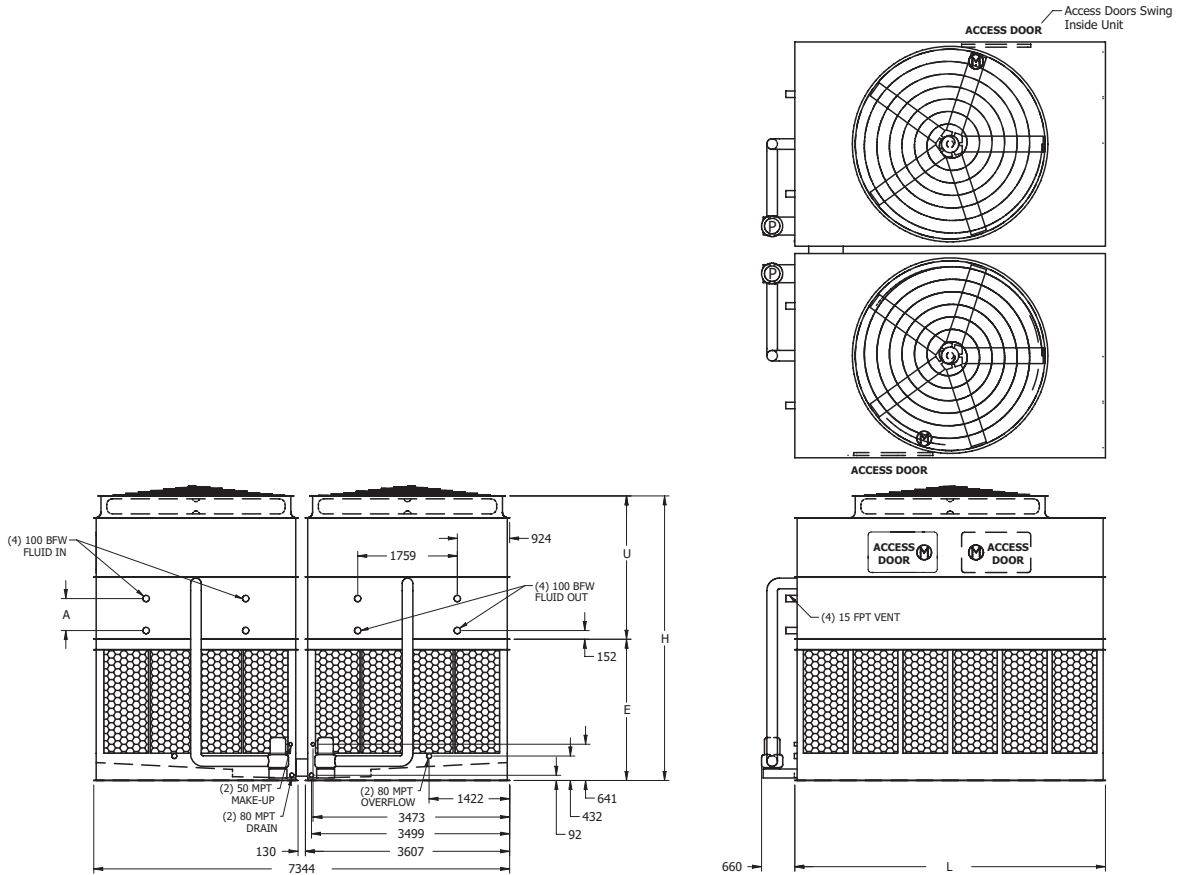
\* Liters shown is water in suspension in unit and piping. Allow for additional water in bottom of remote sump to cover pump suction and strainer during operation (300 mm would normally be sufficient).

Δ When a remote sump arrangement is selected, the spray pump, suction strainer and associated piping are omitted; the unit is provided with an oversized outlet to facilitate drainage to the remote sump.

▲ Unit dimensions and coil connections may vary slightly from catalog. See factory certified prints for dimensions, quantity of coil connections, and piping configuration. Coil connections are 100 mm bevel for weld (BFW). Other connection types such as grooved for mechanical coupling or flanged are also available as options.

# Models: ATWB 24-3K18 to 24-6P18

## Closed Circuit Coolers



**Note:** The number of coil connections doubles when the flow rate exceeds 112 l/s on ATWB 24x18 models. This required option is referred to as the High Flow coil configuration. Optional Dual Fan units will have a "-DF" at the end of the model number in Spectrum. Fan kW and weights may vary.

ATWB model number†	Weights (kg)			Fans		Spray Pump		Coil Volume (Liters)	Remote Sump <sup>△</sup>			Dimensions <sup>▲</sup> (mm)				
	Shipping	Heaviest Section	Operating	kW	m <sup>3</sup> /s	kW	l/s		Liters* Req'd.	Conn. Size	Operating Weight (kg)	Height H	Length L	Lower E	Upper U	Coil A
ATWB 24-3K18	18.390	Upper	30.130	15	101,6	5,5	75,6	3.490	5.450	300	24.800	5.026	5.486	2.496	2.530	565
ATWB 24-3L18	18.415	Upper	30.155	18,5	109,4	5,5	75,6	3.490	5.450	300	24.830	5.026	5.486	2.496	2.530	565
ATWB 24-3M18	18.460	Upper	30.200	22	116,3	5,5	75,6	3.490	5.450	300	24.875	5.026	5.486	2.496	2.530	565
ATWB 24-3N18	18.605	Upper	30.345	30	126,2	5,5	75,6	3.490	5.450	300	25.020	5.026	5.486	2.496	2.530	565
ATWB 24-4K18	21.500	Upper	34.355	15	98,6	5,5	75,6	4.603	5.450	300	29.030	5.242	5.486	2.496	2.746	781
ATWB 24-4L18	21.525	Upper	34.380	18,5	106,2	5,5	75,6	4.603	5.450	300	29.055	5.242	5.486	2.496	2.746	781
ATWB 24-4M18	21.575	Upper	34.430	22	112,9	5,5	75,6	4.603	5.450	300	29.100	5.242	5.486	2.496	2.746	781
ATWB 24-4N18	21.720	Upper	34.575	30	122,5	5,5	75,6	4.603	5.450	300	29.250	5.242	5.486	2.496	2.746	781
ATWB 24-4O18	21.725	Upper	34.580	37	130,4	5,5	75,6	4.603	5.450	300	29.255	5.242	5.486	2.496	2.746	781
ATWB 24-5L18	24.510	Upper	38.475	18,5	103,0	5,5	75,6	5.716	5.450	300	33.150	5.458	5.486	2.496	2.962	997
ATWB 24-5M18	24.555	Upper	38.520	22	109,5	5,5	75,6	5.716	5.450	300	33.195	5.458	5.486	2.496	2.962	997
ATWB 24-5N18	24.705	Upper	38.665	30	118,8	5,5	75,6	5.716	5.450	300	33.340	5.458	5.486	2.496	2.962	997
ATWB 24-5O18	24.710	Upper	38.675	37	126,5	5,5	75,6	5.716	5.450	300	33.350	5.458	5.486	2.496	2.962	997
ATWB 24-6M18	27.640	Upper	42.720	22	106,1	5,5	75,6	6.833	5.450	300	37.395	5.674	5.486	2.496	3.178	1.213
ATWB 24-6N18	27.785	Upper	42.865	30	115,1	5,5	75,6	6.833	5.450	300	37.540	5.674	5.486	2.496	3.178	1.213
ATWB 24-6O18	27.795	Upper	42.875	37	122,6	5,5	75,6	6.833	5.450	300	37.550	5.674	5.486	2.496	3.178	1.213
ATWB 24-6P18	27.980	Upper	43.055	45	129,0	5,5	75,6	6.833	5.450	300	37.730	5.674	5.486	2.496	3.178	1.213

† Model Numbers end in "-Z" for units with Series Flow piping configuration. 4x4 ATWB units are only available in Series Flow and will require crossover piping which can either be supplied by the factory or by others. Model numbers will include "C" for units with Stainless Steel coil(s), "R" for units with Low Sound Fan(s) and "S" for units with an option that negates CTI certification.

†† Heaviest section is the coil/fan section.

\* Liters shown is water in suspension in unit and piping. Allow for additional water in bottom of remote sump to cover pump suction and strainer during operation (300 mm would normally be sufficient).

△ When a remote sump arrangement is selected, the spray pump, suction strainer and associated piping are omitted; the unit is provided with an oversized outlet to facilitate drainage to the remote sump.

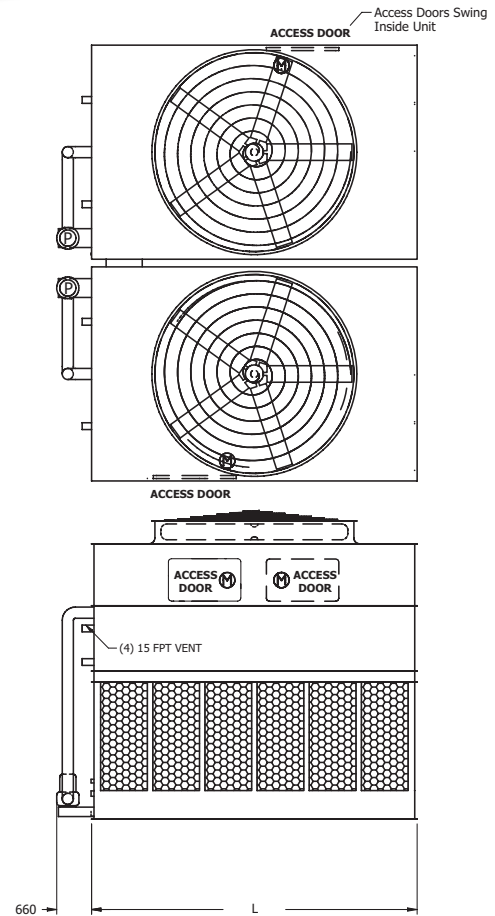
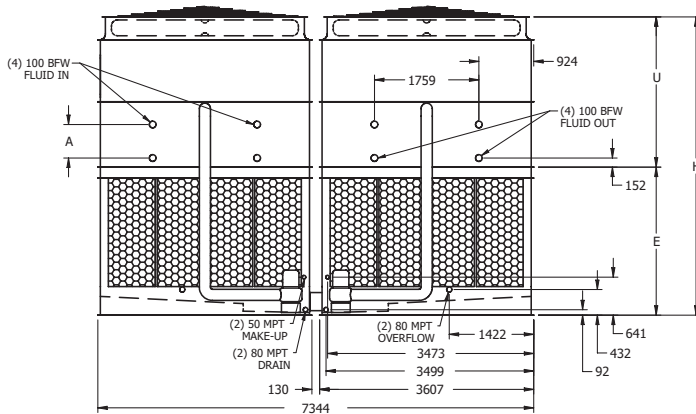
▲ Unit dimensions and coil connections may vary slightly from catalog. See factory certified prints for dimensions, quantity of coil connections, and piping configuration. Coil connections are 100 mm bevel for weld (BFW). Other connection types such as grooved for mechanical coupling or flanged are also available as options.



# Models: ATWB 24-3L20 to 24-6P20

## Closed Circuit Coolers

Selections for ATWB Closed Circuit Coolers are available from EVAPCO's evapSelect® Equipment Selection Program. Please contact your local sales representative for more information on the evapSelect® program.



**Note:** The number of coil connections doubles when the flow rate exceeds 112 l/s on ATWB 24x20 models. This required option is referred to as the High Flow coil configuration. Optional Dual Fan units will have a "-DF" at the end of the model number in Spectrum. Fan kW and weights may vary.

ATWB model number†	Weights (kg)			Fans		Spray Pump		Coil Volume (Liters)	Remote Sump <sup>Δ</sup>			Dimensions <sup>▲</sup> (mm)				
	Shipping	Heaviest Section	Operating	kW	m <sup>3</sup> /s	kW	l/s		Liters* Req'd.	Conn. Size	Operating Weight (kg)	Height H	Length L	Lower E	Upper U	Coil A
ATWB 24-3L20	20.295	Upper	33.420	18,5	117,4	7,5	88,2	3.865	6.055	350	27.345	5.026	6.096	2.496	2.530	565
ATWB 24-3M20	20.340	Upper	33.465	22	124,7	7,5	88,2	3.865	6.055	350	27.390	5.026	6.096	2.496	2.530	565
ATWB 24-3N20	20.485	Upper	33.610	30	136,1	7,5	88,2	3.865	6.055	350	27.535	5.026	6.096	2.496	2.530	565
ATWB 24-3O20	20.495	Upper	33.620	37	144,9	7,5	88,2	3.865	6.055	350	27.540	5.026	6.096	2.496	2.530	565
ATWB 24-4L20	23.725	Upper	38.095	18,5	113,9	7,5	88,2	5.107	6.055	350	32.015	5.242	6.096	2.496	2.746	781
ATWB 24-4M20	23.770	Upper	38.140	22	121,1	7,5	88,2	5.107	6.055	350	32.060	5.242	6.096	2.496	2.746	781
ATWB 24-4N20	23.915	Upper	38.285	30	132,2	7,5	88,2	5.107	6.055	350	32.205	5.242	6.096	2.496	2.746	781
ATWB 24-4O20	23.920	Upper	38.290	37	140,7	7,5	88,2	5.107	6.055	350	32.215	5.242	6.096	2.496	2.746	781
ATWB 24-5M20	27.105	Upper	42.720	22	117,5	7,5	88,2	6.344	6.055	350	36.640	5.458	6.096	2.496	2.962	997
ATWB 24-5N20	27.250	Upper	42.865	30	128,2	7,5	88,2	6.344	6.055	350	36.785	5.458	6.096	2.496	2.962	997
ATWB 24-5O20	27.260	Upper	42.875	37	136,5	7,5	88,2	6.344	6.055	350	36.795	5.458	6.096	2.496	2.962	997
ATWB 24-5P20	27.440	Upper	43.055	45	143,6	7,5	88,2	6.344	6.055	350	36.975	5.458	6.096	2.496	2.962	997
ATWB 24-6N20	31.010	Upper	47.855	30	124,2	7,5	88,2	7.586	6.055	350	41.775	5.674	6.096	2.496	3.178	1.213
ATWB 24-6O20	31.015	Upper	47.865	37	132,2	7,5	88,2	7.586	6.055	350	41.785	5.674	6.096	2.496	3.178	1.213
ATWB 24-6P20	31.200	Upper	48.045	45	139,2	7,5	88,2	7.586	6.055	350	41.965	5.674	6.096	2.496	3.178	1.213

† Model Numbers end in "-Z" for units with Series Flow piping configuration. 4x4 ATWB units are only available in Series Flow and will require crossover piping which can either be supplied by the factory or by others. Model numbers will include "C" for units with Stainless Steel coil(s), "R" for units with Low Sound Fan(s) and "S" for units with an option that negates CTI certification.

†† Heaviest section is the coil/fan section.

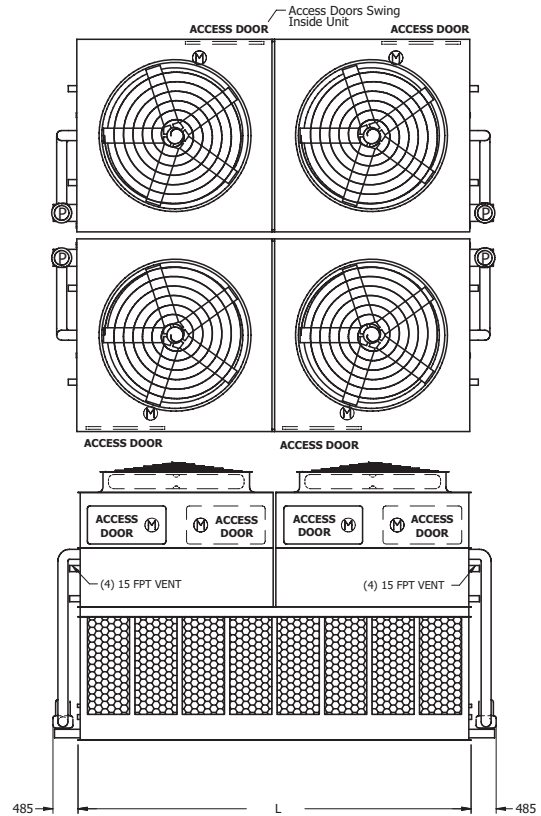
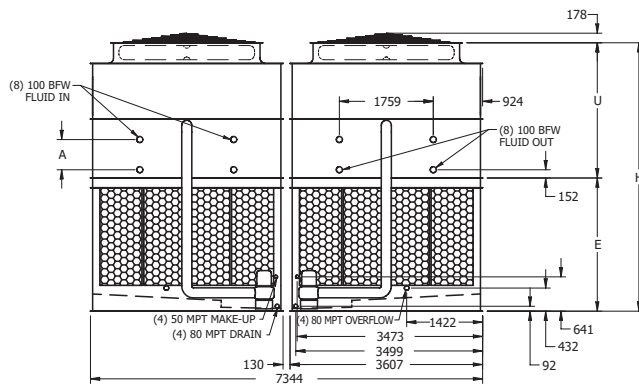
\* Liters shown is water in suspension in unit and piping. Allow for additional water in bottom of remote sump to cover pump suction and strainer during operation (300 mm would normally be sufficient).

Δ When a remote sump arrangement is selected, the spray pump, suction strainer and associated piping are omitted; the unit is provided with an oversized outlet to facilitate drainage to the remote sump.

▲ Unit dimensions and coil connections may vary slightly from catalog. See factory certified prints for dimensions, quantity of coil connections, and piping configuration. Coil connections are 100 mm bevel for weld (BFW). Other connection types such as grooved for mechanical coupling or flanged are also available as options.

# Models: ATWB 24-3J24 to 24-6N24

## Closed Circuit Coolers



**Note:** The number of coil connections doubles when the flow rate exceeds 224 l/s on ATWB 24x24 models. This required option is referred to as the High Flow coil configuration.

ATWB model number†	Weights (kg)			Fans		Spray Pump		Coil Volume (Liters)	Remote Sump <sup>Δ</sup>			Dimensions <sup>▲</sup> (mm)				
	Shipping	Heaviest Section	Operating	kW	m <sup>3</sup> /s	kW	l/s		Liters* Req'd.	Conn. Size	Operating Weight (kg)	Height H	Length L	Lower E	Upper U	Coil A
ATWB 24-3J24	26.010	Upper	41.660	11	136,3	4	50,4	4.717	7.420	300	33.940	5.026	7.366	2.496	2.530	565
ATWB 24-3K24	26.120	Upper	41.765	15	150,0	4	50,4	4.717	7.420	300	34.045	5.026	7.366	2.496	2.530	565
ATWB 24-3L24	26.170	Upper	41.820	18,5	159,9	4	50,4	4.717	7.420	300	34.100	5.026	7.366	2.496	2.530	565
ATWB 24-3M24	26.265	Upper	41.910	22	168,3	4	50,4	4.717	7.420	300	34.190	5.026	7.366	2.496	2.530	565
ATWB 24-4J24	30.200	Upper	47.335	11	132,3	4	50,4	6.193	7.420	300	39.615	5.242	7.366	2.496	2.746	781
ATWB 24-4K24	30.310	Upper	47.445	15	145,6	4	50,4	6.193	7.420	300	39.725	5.242	7.366	2.496	2.746	781
ATWB 24-4L24	30.365	Upper	47.500	18,5	155,2	4	50,4	6.193	7.420	300	39.780	5.242	7.366	2.496	2.746	781
ATWB 24-4M24	30.455	Upper	47.590	22	163,3	4	50,4	6.193	7.420	300	39.870	5.242	7.366	2.496	2.746	781
ATWB 24-4N24	30.745	Upper	47.880	30	177,1	4	50,4	6.193	7.420	300	40.160	5.242	7.366	2.496	2.746	781
ATWB 24-5K24	34.265	Upper	52.870	15	141,3	4	50,4	7.665	7.420	300	45.150	5.458	7.366	2.496	2.962	997
ATWB 24-5L24	34.320	Upper	52.925	18,5	150,6	4	50,4	7.665	7.420	300	45.205	5.458	7.366	2.496	2.962	997
ATWB 24-5M24	34.410	Upper	53.015	22	158,5	4	50,4	7.665	7.420	300	45.295	5.458	7.366	2.496	2.962	997
ATWB 24-5N24	34.700	Upper	53.305	30	171,7	4	50,4	7.665	7.420	300	45.585	5.458	7.366	2.496	2.962	997
ATWB 24-6L24	38.600	Upper	58.675	18,5	145,9	4	50,4	9.142	7.420	300	50.955	5.674	7.366	2.496	3.178	1.213
ATWB 24-6M24	38.690	Upper	58.765	22	153,5	4	50,4	9.142	7.420	300	51.045	5.674	7.366	2.496	3.178	1.213
ATWB 24-6N24	38.980	Upper	59.060	30	166,4	4	50,4	9.142	7.420	300	51.340	5.674	7.366	2.496	3.178	1.213

† Model Numbers end in "-Z" for units with Series Flow piping configuration. 4x4 ATWB units are only available in Series Flow and will require crossover piping which can either be supplied by the factory or by others. Model numbers will include "C" for units with Stainless Steel coil(s), "R" for units with Low Sound Fan(s) and "S" for units with an option that negates CTI certification.

†† Heaviest section is the coil/fan section.

\* Liters shown is water in suspension in unit and piping. Allow for additional water in bottom of remote sump to cover pump suction and strainer during operation (300 mm would normally be sufficient).

Δ When a remote sump arrangement is selected, the spray pump, suction strainer and associated piping are omitted; the unit is provided with an oversized outlet to facilitate drainage to the remote sump.

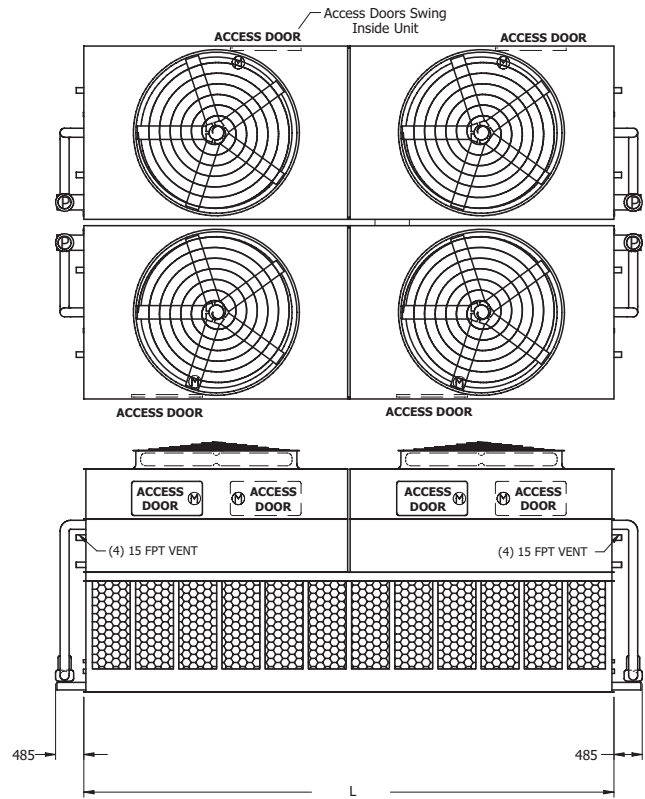
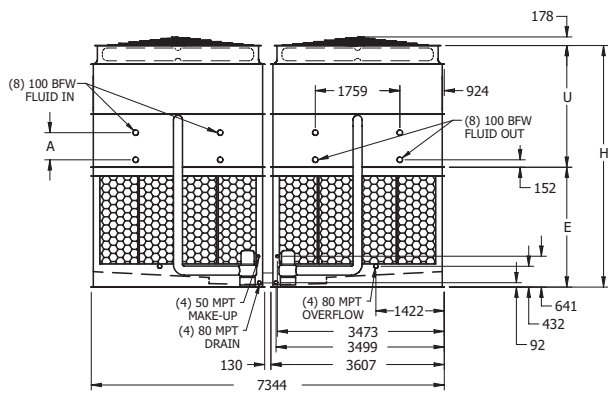
▲ Unit dimensions and coil connections may vary slightly from catalog. See factory certified prints for dimensions, quantity of coil connections, and piping configuration. Coil connections are 100 mm bevel for weld (BFW). Other connection types such as grooved for mechanical coupling or flanged are also available as options.

# Models: ATWB 24-3K28 to 24-6N28

## Closed Circuit Coolers

Selections for ATWB Closed Circuit Coolers are available from EVAPCO's evapSelect® Equipment Selection Program.

Please contact your local sales representative for more information on the evapSelect® program.



**Note:** The number of coil connections doubles when the flow rate exceeds 224 l/s on ATWB 24x28 models. This required option is referred to as the High Flow coil configuration.

ATWB model number†	Weights (kg)			Fans	Spray Pump	Coil Volume (Liters)	Remote Sump <sup>△</sup>			Dimensions <sup>▲</sup> (mm)						
	Shipping	Heaviest Section	Operating				kW	m <sup>3</sup> /s	kW	l/s	Liters Req'd.	Conn. Size	Operating Weight (kg)	Height H	Length L	Lower E
ATWB 24-3K28	29.520	Upper	47.945	15	166,3	4	56,7	5.470	8.630	300	39.090	5.026	8.585	2.496	2.530	565
ATWB 24-3L28	29.575	Upper	48.000	18,5	178,7	4	56,7	5.470	8.630	300	39.145	5.026	8.585	2.496	2.530	565
ATWB 24-3M28	29.665	Upper	48.090	22	188,0	4	56,7	5.470	8.630	300	39.235	5.026	8.585	2.496	2.530	565
ATWB 24-3N28	29.955	Upper	48.380	30	203,8	4	56,7	5.470	8.630	300	39.525	5.026	8.585	2.496	2.530	565
ATWB 24-4K28	34.380	Upper	54.530	15	161,4	4	56,7	7.196	8.630	300	45.675	5.242	8.585	2.496	2.746	781
ATWB 24-4L28	34.435	Upper	54.585	18,5	173,5	4	56,7	7.196	8.630	300	45.730	5.242	8.585	2.496	2.746	781
ATWB 24-4M28	34.525	Upper	54.675	22	182,6	4	56,7	7.196	8.630	300	45.820	5.242	8.585	2.496	2.746	781
ATWB 24-4N28	34.820	Upper	54.965	30	197,9	4	56,7	7.196	8.630	300	46.110	5.242	8.585	2.496	2.746	781
ATWB 24-5L28	38.990	Upper	60.865	18,5	168,3	4	56,7	8.922	8.630	300	52.010	5.458	8.585	2.496	2.962	997
ATWB 24-5M28	39.080	Upper	60.955	22	177,1	4	56,7	8.922	8.630	300	52.100	5.458	8.585	2.496	2.962	997
ATWB 24-5N28	39.370	Upper	61.245	30	191,9	4	56,7	8.922	8.630	300	52.390	5.458	8.585	2.496	2.962	997
ATWB 24-6L28	44.415	Upper	68.010	18,5	163,1	4	56,7	10.648	8.630	300	59.155	5.674	8.585	2.496	3.178	1.213
ATWB 24-6M28	44.505	Upper	68.100	22	171,6	4	56,7	10.648	8.630	300	59.250	5.674	8.585	2.496	3.178	1.213
ATWB 24-6N28	44.795	Upper	68.395	30	186,0	4	56,7	10.648	8.630	300	59.540	5.674	8.585	2.496	3.178	1.213

† Model Numbers end in "-Z" for units with Series Flow piping configuration. 4x4 ATWB units are only available in Series Flow and will require crossover piping which can either be supplied by the factory or by others. Model numbers will include "C" for units with Stainless Steel coil(s), "R" for units with Low Sound Fan(s) and "S" for units with an option that negates CTI certification.

†† Heaviest section is the coil/fan section.

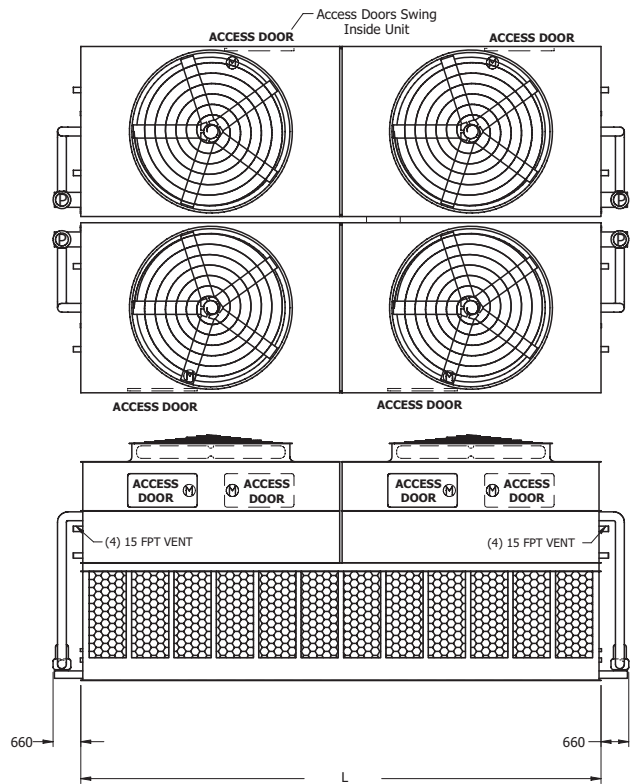
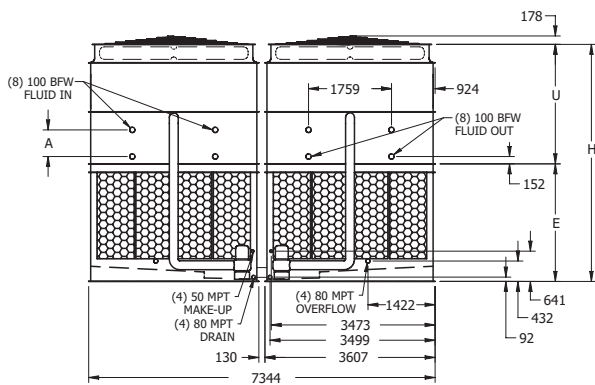
\* Liters shown is water in suspension in unit and piping. Allow for additional water in bottom of remote sump to cover pump suction and strainer during operation (300 mm would normally be sufficient).

△ When a remote sump arrangement is selected, the spray pump, suction strainer and associated piping are omitted; the unit is provided with an oversized outlet to facilitate drainage to the remote sump.

▲ Unit dimensions and coil connections may vary slightly from catalog. See factory certified prints for dimensions, quantity of coil connections, and piping configuration. Coil connections are 100 mm bevel for weld (BFW). Other connection types such as grooved for mechanical coupling or flanged are also available as options.

# Models: ATWB 24-3K36 to 24-6P36

Closed Circuit Coolers



**Note:** The number of coil connections doubles when the flow rate exceeds 224 l/s on ATWB 24x36 models. This required option is referred to as the High Flow coil configuration. Optional Dual Fan units will have a "-DF" at the end of the model number in Spectrum. Fan kW and weights may vary.

ATWB model number†	Weights (kg)			Fans		Spray Pump		Coil Volume (Liters)	Remote Sump <sup>Δ</sup>			Dimensions <sup>▲</sup> (mm)				
	Shipping	Heaviest Section	Operating	kW	m <sup>3</sup> /s	kW	l/s		Liters* Req'd.	Conn. Size	Operating Weight (kg)	Height H	Length L	Lower E	Upper U	Coil A
ATWB 24-3K36	36.830	Upper	60.400	15	196,8	5,5	75,6	6.977	10.900	300	49.105	5.026	11.036	2.496	2.530	565
ATWB 24-3L36	36.885	Upper	60.455	18,5	212,0	5,5	75,6	6.977	10.900	300	49.160	5.026	11.036	2.496	2.530	565
ATWB 24-3M36	36.975	Upper	60.545	22	225,3	5,5	75,6	6.977	10.900	300	49.250	5.026	11.036	2.496	2.530	565
ATWB 24-3N36	37.265	Upper	60.835	30	244,5	5,5	75,6	6.977	10.900	300	49.540	5.026	11.036	2.496	2.530	565
ATWB 24-4K36	43.055	Upper	68.855	15	191,1	5,5	75,6	9.206	10.900	300	57.560	5.242	11.036	2.496	2.746	781
ATWB 24-4L36	43.110	Upper	68.910	18,5	205,9	5,5	75,6	9.206	10.900	300	57.615	5.242	11.036	2.496	2.746	781
ATWB 24-4M36	43.200	Upper	69.000	22	218,8	5,5	75,6	9.206	10.900	300	57.705	5.242	11.036	2.496	2.746	781
ATWB 24-4N36	43.490	Upper	69.290	30	237,4	5,5	75,6	9.206	10.900	300	57.995	5.242	11.036	2.496	2.746	781
ATWB 24-5L36	49.080	Upper	77.090	18,5	199,7	5,5	75,6	11.432	10.900	300	65.800	5.458	11.036	2.496	2.962	997
ATWB 24-5M36	49.170	Upper	77.185	22	212,2	5,5	75,6	11.432	10.900	300	65.890	5.458	11.036	2.496	2.962	997
ATWB 24-5N36	49.460	Upper	77.475	30	230,3	5,5	75,6	11.432	10.900	300	66.180	5.458	11.036	2.496	2.962	997
ATWB 24-5O36	49.480	Upper	77.490	37	245,1	5,5	75,6	11.432	10.900	300	66.195	5.458	11.036	2.496	2.962	997
ATWB 24-6M36	55.340	Upper	85.585	22	205,6	5,5	75,6	13.662	10.900	300	74.290	5.674	11.036	2.496	3.178	1.213
ATWB 24-6N36	55.630	Upper	85.875	30	223,2	5,5	75,6	13.662	10.900	300	74.580	5.674	11.036	2.496	3.178	1.213
ATWB 24-6O36	55.645	Upper	85.890	37	237,6	5,5	75,6	13.662	10.900	300	74.600	5.674	11.036	2.496	3.178	1.213
ATWB 24-6P36	56.010	Upper	86.255	45	250,0	5,5	75,6	13.662	10.900	300	74.960	5.674	11.036	2.496	3.178	1.213

† Model Numbers end in "-Z" for units with Series Flow piping configuration. 4x4 ATWB units are only available in Series Flow and will require crossover piping which can either be supplied by the factory or by others. Model numbers will include "C" for units with Stainless Steel coil(s), "R" for units with Low Sound Fan(s) and "S" for units with an option that negates CTI certification.

†† Heaviest section is the coil/fan section.

\* Liters shown is water in suspension in unit and piping. Allow for additional water in bottom of remote sump to cover pump suction and strainer during operation (300 mm would normally be sufficient).

Δ When a remote sump arrangement is selected, the spray pump, suction strainer and associated piping are omitted; the unit is provided with an oversized outlet to facilitate drainage to the remote sump.

▲ Unit dimensions and coil connections may vary slightly from catalog. See factory certified prints for dimensions, quantity of coil connections, and piping configuration. Coil connections are 100 mm bevel for weld (BFW). Other connection types such as grooved for mechanical coupling or flanged are also available as options.

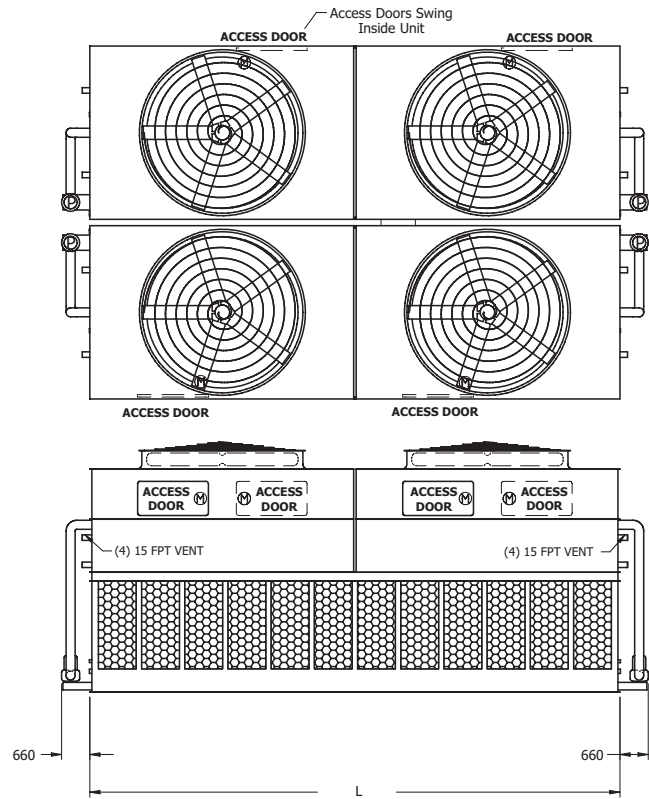
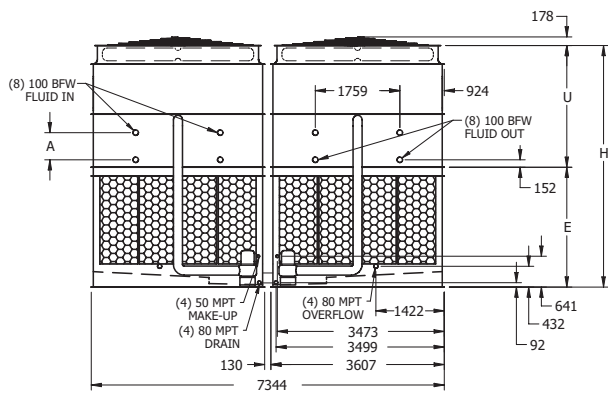


# Models: ATWB 24-3L40 to 24-6P40

## Closed Circuit Coolers

Selections for ATWB Closed Circuit Coolers are available from EVAPCO's evapSelect® Equipment Selection Program.

Please contact your local sales representative for more information on the evapSelect® program.



**Note:** The number of coil connections doubles when the flow rate exceeds 224 l/s on ATWB 24x40 models. This required option is referred to as the High Flow coil configuration. Optional Dual Fan units will have a "-DF" at the end of the model number in Spectrum. Fan kW and weights may vary.

ATWB model number†	Weights (kg)			Fans		Spray Pump		Coil Volume (Liters)	Remote Sump <sup>△</sup>			Dimensions <sup>▲</sup> (mm)				
	Shipping	Heaviest Section	Operating	kW	m³/s	kW	l/s		Liters* Req'd.	Conn. Size	Operating Weight (kg)	Height H	Length L	Lower E	Upper U	Coil A
ATWB 24-3L40	40.635	Upper	66.970	18,5	234,7	7,5	88,2	7.730	12.115	350	53.785	5.026	12.256	2.496	2.530	565
ATWB 24-3M40	40.725	Upper	67.060	22	249,4	7,5	88,2	7.730	12.115	350	53.880	5.026	12.256	2.496	2.530	565
ATWB 24-3N40	41.015	Upper	67.350	30	272,2	7,5	88,2	7.730	12.115	350	54.170	5.026	12.256	2.496	2.530	565
ATWB 24-3O40	41.030	Upper	67.365	37	289,8	7,5	88,2	7.730	12.115	350	54.185	5.026	12.256	2.496	2.530	565
ATWB 24-4L40	47.490	Upper	76.310	18,5	227,9	7,5	88,2	10.209	12.115	350	63.130	5.242	12.256	2.496	2.746	781
ATWB 24-4M40	47.580	Upper	76.405	22	242,2	7,5	88,2	10.209	12.115	350	63.220	5.242	12.256	2.496	2.746	781
ATWB 24-4N40	47.870	Upper	76.695	30	264,3	7,5	88,2	10.209	12.115	350	63.510	5.242	12.256	2.496	2.746	781
ATWB 24-4O40	47.890	Upper	76.710	37	281,4	7,5	88,2	10.209	12.115	350	63.530	5.242	12.256	2.496	2.746	781
ATWB 24-5M40	54.260	Upper	85.565	22	234,9	7,5	88,2	12.689	12.115	350	72.385	5.458	12.256	2.496	2.962	997
ATWB 24-5N40	54.550	Upper	85.855	30	256,4	7,5	88,2	12.689	12.115	350	72.675	5.458	12.256	2.496	2.962	997
ATWB 24-5O40	54.565	Upper	85.875	37	272,9	7,5	88,2	12.689	12.115	350	72.695	5.458	12.256	2.496	2.962	997
ATWB 24-5P40	54.930	Upper	86.235	45	287,2	7,5	88,2	12.689	12.115	350	73.055	5.458	12.256	2.496	2.962	997
ATWB 24-6N40	62.060	Upper	95.835	30	248,5	7,5	88,2	15.168	12.115	350	82.655	5.674	12.256	2.496	3.178	1.213
ATWB 24-6O40	62.080	Upper	95.855	37	264,5	7,5	88,2	15.168	12.115	350	82.670	5.674	12.256	2.496	3.178	1.213
ATWB 24-6P40	62.440	Upper	96.215	45	278,3	7,5	88,2	15.168	12.115	350	83.035	5.674	12.256	2.496	3.178	1.213

† Model Numbers end in "-Z" for units with Series Flow piping configuration. 4x4 ATWB units are only available in Series Flow and will require crossover piping which can either be supplied by the factory or by others. Model numbers will include "C" for units with Stainless Steel coil(s), "R" for units with Low Sound Fan(s) and "S" for units with an option that negates CTI certification.

†† Heaviest section is the coil/fan section.

\* Liters shown is water in suspension in unit and piping. Allow for additional water in bottom of remote sump to cover pump suction and strainer during operation (300 mm would normally be sufficient).

△ When a remote sump arrangement is selected, the spray pump, suction strainer and associated piping are omitted; the unit is provided with an oversized outlet to facilitate drainage to the remote sump.

▲ Unit dimensions and coil connections may vary slightly from catalog. See factory certified prints for dimensions, quantity of coil connections, and piping configuration. Coil connections are 100 mm bevel for weld (BFW). Other connection types such as grooved for mechanical coupling or flanged are also available as options.



# Steel Support

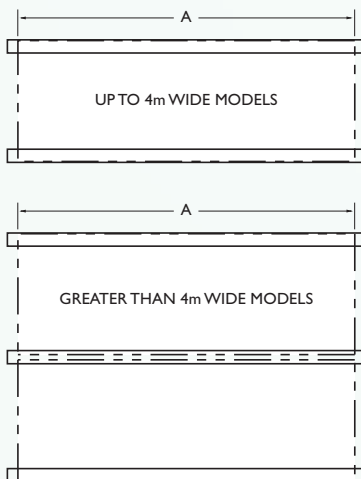
## Recommended Steel Support

The recommended support for EVAPCO Closed Circuit Coolers is structural "I" beams located under the outer flanges and running the entire length of the unit. The unit should be elevated to allow access underneath the unit and to the roof below. Mounting holes, 19 mm in diameter are located in the bottom flanges of the pan section to provide for bolting to the structural steel. (Refer to certified drawings from the factory for bolt hole locations.)

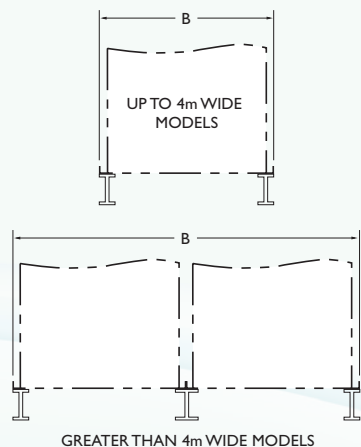
Beams should be level before setting the unit in place. Do not level the unit by shimming between the unit and the structural steel. Dimensions, weights, and data are subject to change without notice. Refer to the factory certified drawings for exact dimensions.

NOTE: Consult IBC 2012 for required steel support layout and structural design.

**Plan Views**



**End Elevations**



**ATWB SUPPORTING STEEL DIMENSIONS**

	<b>A</b>	<b>B</b>
ATWB 3-2C3 to 3-5D3	908	927
ATWB 4-2E4 to 4-5F4	1213	1232
ATWB 4-3E6 to 4-5G6	1822	1232
ATWB 4-3E9 to 4-5F9	2731	1232
ATWB 4-3E12 to 4-5G12	3651	1232
	<b>A</b>	<b>B</b>
ATWB 9-3G8 to 9-6J8	2578	2283
ATWB 8-3G9 to 8-6K9	2731	2388
ATWB 8-3H11 to 8-6K11	3188	2388
ATWB 8-3H12 to 8-6L12	3651	2388
ATWB 8-3I14 to 8-6M14	4261	2388
ATWB 8-3G18 to 8-6K18	5486	2388
ATWB 8-3H21 to 8-6K21	6401	2388
ATWB 8-3H24 to 8-6L24	7366	2388
ATWB 8-3I28 to 8-6M28	8586	2388
ATWB 8-3H36 to 8-6K36	11036	2388
ATWB 8-3H42 to 8-6K42	12866	2388
	<b>A</b>	<b>B</b>
ATWB 16-3H11 to 16-6K11	3188	4906
ATWB 16-3H12 to 16-6L12	3651	4906
ATWB 16-3I14 to 16-6M14	4261	4906
	<b>A</b>	<b>B</b>
ATWB 10-3I12 to 10-6M12	3651	2991
ATWB 10-3I18 to 10-6N18	5486	2991
ATWB 10-3I24 to 10-6M24	7366	2991
ATWB 10-3I36 to 10-6N36	11036	2991
	<b>A</b>	<b>B</b>
ATWB 20-3I12 to 20-6M12	3651	6112
ATWB 20-3I18 to 20-6N18	5486	6112
ATWB 20-3I24 to 20-6M24	7366	6112
ATWB 20-3I36 to 20-6N36	11036	6112
	<b>A</b>	<b>B</b>
ATWB 12-3J12 to 12-6N12	3651	3607
ATWB 12-3K14 to 12-6N14	4261	3607
ATWB 12-3K18 to 12-6P18	5486	3607
ATWB 12-3L20 to 12-6P20	6096	3607
ATWB 12-3J24 to 12-6N24	7366	3607
ATWB 12-3K28 to 12-6N28	8585	3607
ATWB 12-3K36 to 12-6P36	11036	3607
ATWB 12-3L40 to 12-6P40	12256	3607
	<b>A</b>	<b>B</b>
ATWB 24-3J12 to 24-6N12	3651	7344
ATWB 24-3K14 to 24-6N14	4261	7344
ATWB 24-3K18 to 24-6P18	5486	7344
ATWB 24-3L20 to 24-6P20	6096	7344
ATWB 24-3J24 to 24-6N24	7366	7344
ATWB 24-3K28 to 24-6N28	8585	7344
ATWB 24-3K36 to 24-6P36	11036	7344
ATWB 24-3L40 to 24-6P40	12256	7344







# WORLDWIDE MANUFACTURING FACILITIES



 World Headquarters/  
Research and  
Development Center

 EVAPCO Facilities

## EVAPCO, Inc. — World Headquarters & Research / Development Center

P.O. Box 1300 • Westminster, MD 21158 USA  
410-756-2600 p • 410-756-6450 f • [marketing@evapco.com](mailto:marketing@evapco.com)

### North America

**EVAPCO, Inc.**  
**World Headquarters**  
P.O. Box 1300  
Westminster, MD 21158 USA  
410-756-2600 p | 410-756-6450 f  
[marketing@evapco.com](mailto:marketing@evapco.com)

**EVAPCO East**  
5151 Allendale Lane  
Taneytown, MD 21787 USA  
410-756-2600 p | 410-756-6450 f  
[marketing@evapco.com](mailto:marketing@evapco.com)

**EVAPCO Midwest**  
1723 York Road  
Greenup, IL 62428 USA  
217-923-3431 p | 217-923-3300 f  
[evapcomw@evapcomw.com](mailto:evapcomw@evapcomw.com)

**EVAPCO West**  
1900 West Almond Avenue  
Madera, CA 93637 USA  
559-673-2207 p | 559-673-2378 f  
[contact@evapcowest.com](mailto:contact@evapcowest.com)

**EVAPCO Iowa**  
925 Quality Drive  
Lake View, IA 51450 USA  
712-657-3223 p | 712-657-3226 f

**EVAPCO Iowa  
Sales & Engineering**  
215 1st Street, NE  
P.O. Box 88  
Medford, MN 55049 USA  
507-446-8005 p | 507-446-8239 f  
[evapcomn@evapcomn.com](mailto:evapcomn@evapcomn.com)

**EVAPCO Newton**  
701 East Jourdan Street  
Newton, IL 62448 USA  
618-783-3433 | 618-783-3499 f  
[evapcomw@evapcomw.com](mailto:evapcomw@evapcomw.com)

**EVAPCOLD**  
521 Evapco Drive  
Greenup, Ill USA  
217-923-3431 p  
[evapcomw@evapcomw.com](mailto:evapcomw@evapcomw.com)

**EVAPCO-Dry Cooling, Inc.**  
981 US Highway 22 West  
Bridgewater, New Jersey 08807 USA  
1-908-379-2665 p  
[info@evapco-blct.com](mailto:info@evapco-blct.com)

**Refrigeration Valves &  
Systems Corporation**  
*A wholly owned subsidiary of EVAPCO, Inc.*  
1520 Crosswind Dr.  
Bryan, TX 77808 USA  
979-778-0095 p | 979-778-0030 f  
[rvs@rvscorp.com](mailto:rvs@rvscorp.com)

**EVAPCO Northwest**  
5775 S.W. Jean Road, Suite 210  
Lake Oswego, Oregon 97035 USA  
503-639-2137 p | 503-639-1800 f

**EvapTech, Inc.**  
*A wholly owned subsidiary of EVAPCO, Inc.*  
8331 Nieman Road  
Lenexa, KS 66214 USA  
913-322-5165 p | 913-322-5166 f  
[marketing@evaptech.com](mailto:marketing@evaptech.com)

**Tower Components, Inc.**  
*A wholly owned subsidiary of EVAPCO, Inc.*  
5960 US HWY 64E  
Ramseur, NC 27316  
336-824-2102 p | 336-824-2190 f  
[mail@towercomponentsinc.com](mailto:mail@towercomponentsinc.com)

### South America

**EVAPCO Brasil Equipamentos  
Industriais Ltda**  
Rua Alexandre Dumas, 1601 - 2 andar  
04717-004 Sao Paulo - SP - Brazil  
(55) 11-5184-0067 p

### Europe

**EVAPCO Europe BVBA  
European Headquarters**  
Heersterveldweg 19, Industrieterrein Oost  
3700 Tongeren, Belgium  
(32) 12-395029 p | (32) 12-238527 f  
[evapco.europe@evapco.be](mailto:evapco.europe@evapco.be)

**EVAPCO Europe, S.r.l.**  
Via Ciro Menotti 10  
I-20017 Passirana di Rho, Milan, Italy  
(39) 02-939-9041 p | (39) 02-935-00840 f  
[evapcoeuropa@evapco.it](mailto:evapcoeuropa@evapco.it)

**EVAPCO Europe, S.r.l.**  
Via Dosso 2, 23020 Piateda Sondrio, Italy

**EVAPCO Europe GmbH**  
Insterburger Strasse 18  
40670 Meerbusch, Germany  
(49) 2159-69560 p | (49) 2159-695611 f  
[info@evapco.de](mailto:info@evapco.de)

**EVAPCO Middle East DMCC**  
Reef Tower, 29th Level, Cluster O,  
Jumeirah Lake Towers, P.O. Box 5003310  
Dubai, U.A.E.  
Ph: (971) 4-448 7242 - Fx: (971) 4-448 7112  
[info@evapco.ae](mailto:info@evapco.ae)

**EVAPCO Air Solutions a/s**  
*A wholly owned subsidiary of EVAPCO, Inc.*  
Knøsgårdsvej 115  
DK-9440 Aabybro Denmark  
(45) 9824 4999 p | (45) 9824 4990 f  
[info@flexcoil.dk](mailto:info@flexcoil.dk)

**EVAPCO S.A. (Pty.) Ltd.**  
*A licensed manufacturer of EVAPCO, Inc.*  
18 Quality Road  
Isando 1600, Republic of South Africa  
(27) 11-392-6630 p | (27) 11-392-6615 f  
[evapco@evapco.co.za](mailto:evapco@evapco.co.za)

**Evap Egypt Engineering Industries Co.**  
*A licensed manufacturer of EVAPCO, Inc.*  
5 El Nasr Road  
Nasr City, Cairo, Egypt  
2 02 24022866 / 2 02 24044997 p  
2 02 24044667 / 2 02 24044668 f  
[Primacool@link.net](mailto:Primacool@link.net) / [Shady@primacool.net](mailto:Shady@primacool.net)

### Asia/Pacific

**EVAPCO Asia/Pacific Headquarters**  
1159 Luoning Rd. Baoshan Industrial Zone  
Shanghai, P. R. China, Postal Code: 200949  
(86) 21-6687-7786 p | (86) 21-6687-7008 f  
[marketing@evapcochina.com](mailto:marketing@evapcochina.com)

**EVAPCO (Shanghai) Refrigeration  
Equipment Co., Ltd.**  
1159 Luoning Rd., Baoshan Industrial Zone  
Shanghai, P.R. China, Postal Code: 200949  
(86) 21-6687-7786 p | (86) 21-6687-7008 f  
[marketing@evapcochina.com](mailto:marketing@evapcochina.com)

**Beijing EVAPCO Refrigeration  
Equipment Co., Ltd.**  
Yan Qi Industrial Development District  
Huai Rou County  
Beijing, P.R. China, Postal Code: 101407  
(86) 10 6166-7238 p | (86) 10 6166-7395 f  
[evapcobj@evapcochina.com](mailto:evapcobj@evapcochina.com)

**EVAPCO Australia (Pty.) Ltd.**  
34-42 Melbourne Road  
P.O. Box 436  
Riverstone, N.S.W. Australia 2765  
(61) 2 9627-3322 p | (61) 2 9627-1715 f  
E-mail: [sales@evapco.com.au](mailto:sales@evapco.com.au)

**EVAPCO Composites Sdn. Bhd**  
No. 70 (Lot 1289) Jalan Industri 2/3  
Rawang Integrated Industrial Park  
Rawang, Selangor, 48000 Malaysia  
60 3 6092-2209 p | 60 3 6092-2210 f

**EvapTech Asia Pacific Sdn. Bhd**  
*A wholly owned subsidiary of EvapTech, Inc.*  
B-6-1, IOI Boulevard  
Jalan Kenari 5, Bandar Puchong Jaya  
47170 Puchong, Selangor Darul Ehsan  
Malaysia  
(60-3) 8070-7255 p | (60-3) 8070-5731 f  
E-mail: [marketing-ap@evaptech.com](mailto:marketing-ap@evaptech.com)

